

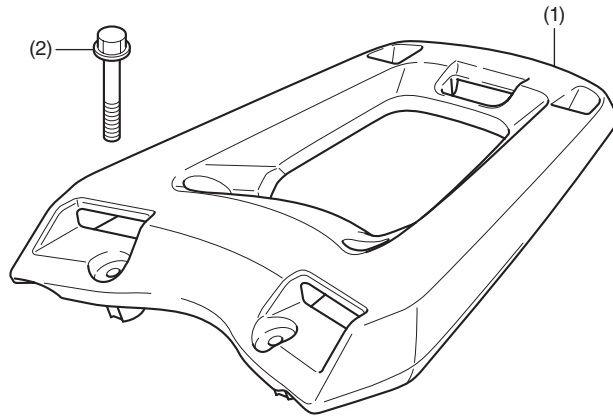


INSTALLATION INSTRUCTIONS

Accessory	Application	Publication No.
REAR TRUNK BASE P/N 08L70-KZY-910	PCX150	MII 13946
		Issue Date
		September 2012

Honda Dealer: Please give a copy of these instructions to your customer.

PARTS LIST



No.	Description	Qty
(1)	Carrier base	1
(2)	8 mm flange bolt	4

TOOLS AND SUPPLIES REQUIRED

- Socket (12 mm)
- Ratchet
- Electric drill
- Holesaw (20 mm)
- File
- Shop towel
- Torque wrench

TORQUE CHART

Tighten all screws, bolts, and nuts to their specified torque values. Refer to the Service Manual for the torque values of the removed parts.

Item	N·m	kgf·m	lbf·ft
8 mm flange bolt	27	2.8	20

USE AND CARE INFORMATION

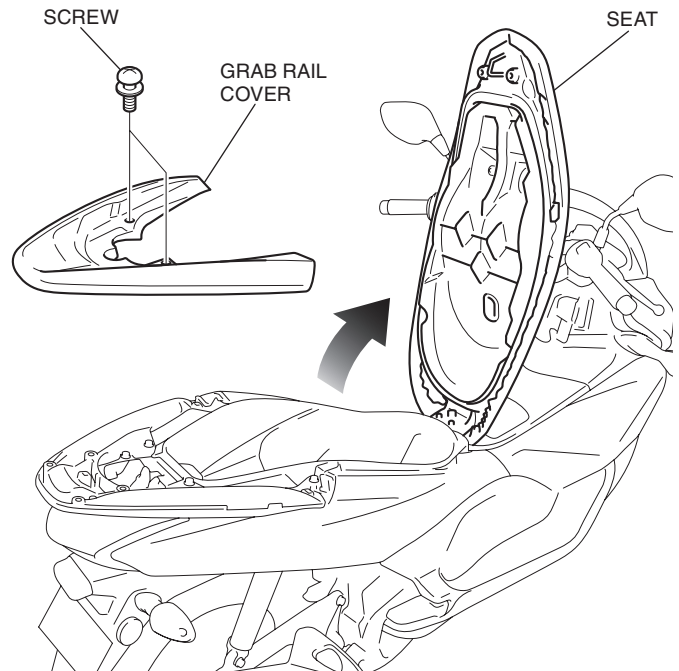
- The weight of the cargo must not exceed the following maximum weight capacity:

Maximum Weight Capacity	
Rear trunk	6.6 lb (3.0 kg)

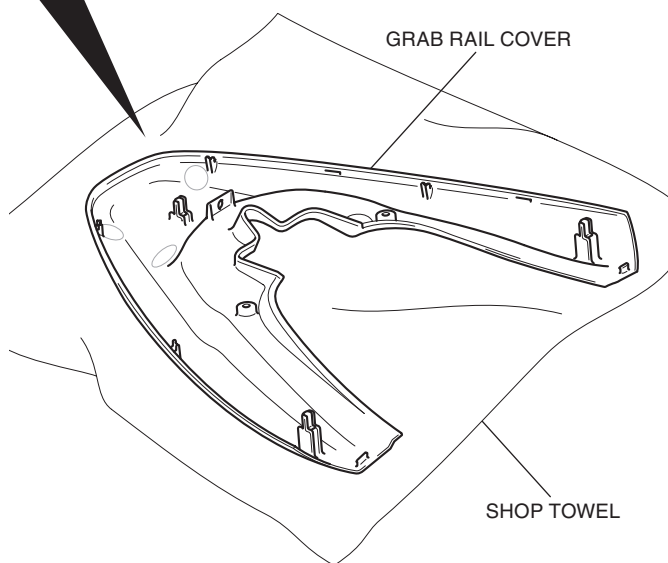
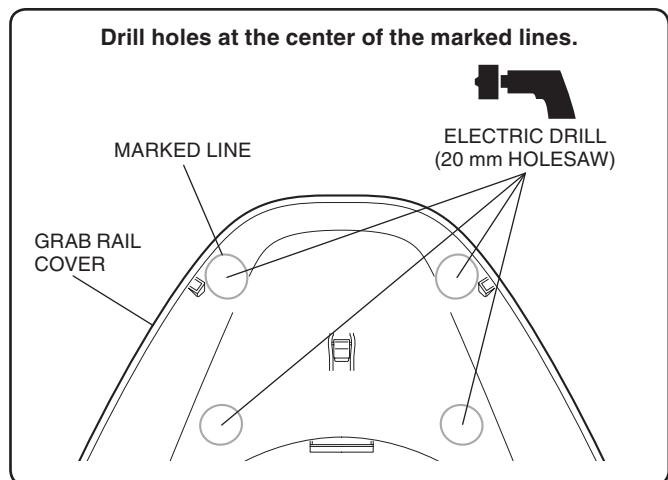
- Check the accessory mounts frequently and retighten if necessary.

INSTALLATION

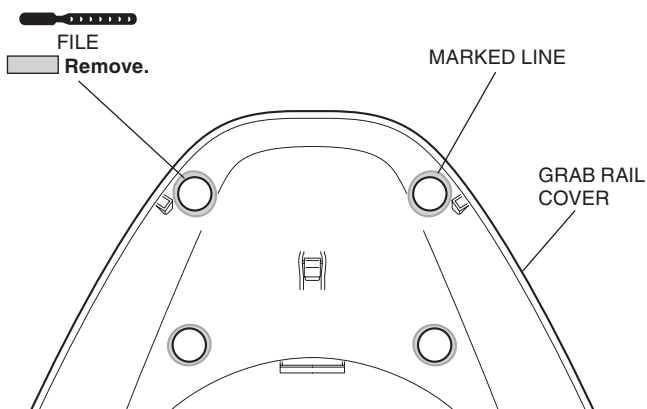
- Raise the seat as shown. Refer to appropriate section of the Service Manual and remove the screws and grab rail cover.



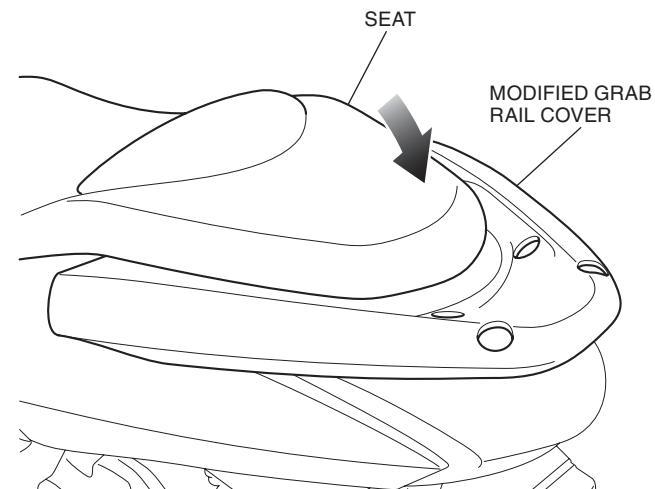
2. Drill holes as shown at the marked lines on the bottom side of the grab rail cover.



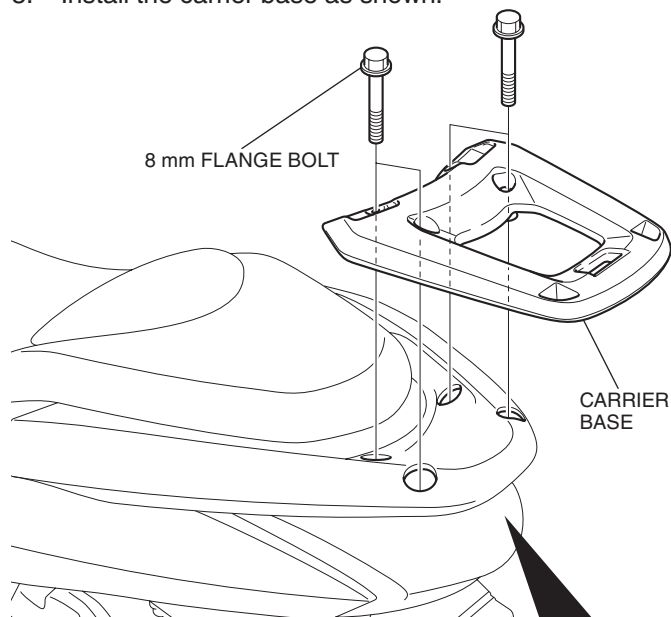
3. Remove the shaded areas along the marked lines with a file as shown.



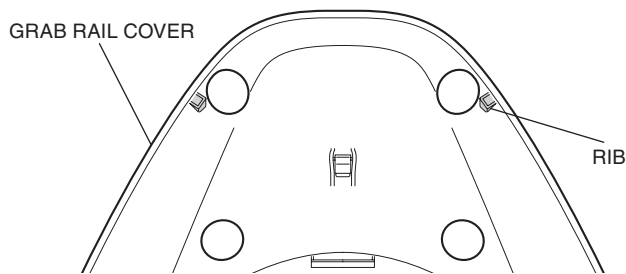
4. Reinstall the modified grab rail cover in the reverse order of the removal and lower the seat.



5. Install the carrier base as shown.



If the carrier base interferes with the drilled holes, remove the grab rail cover and rework it with a file. Take care not to file the ribs.



How to Install the Rear trunk

1. Refer to the Installation Instructions that are included with the Rear Trunk.