



INSTALLATION INSTRUCTIONS

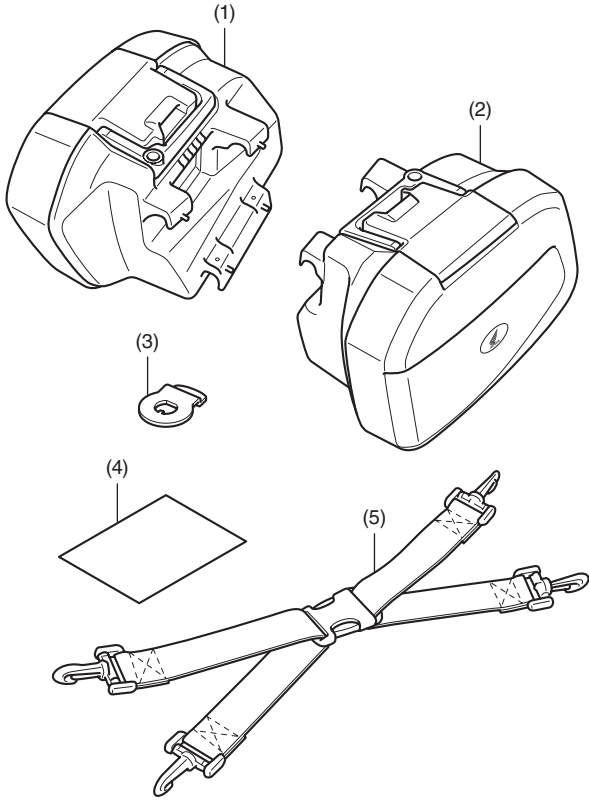
Accessory
PANNIER CASE
P/N 08L70-MGZ-D80

Application
COMMON

Publication No.
MII
Issue Date
November 2015

Honda Dealer: Please give a copy of these instructions to your customer.

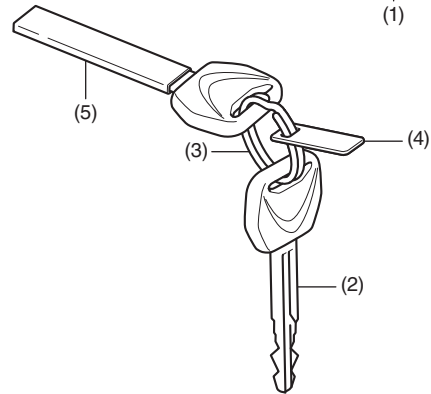
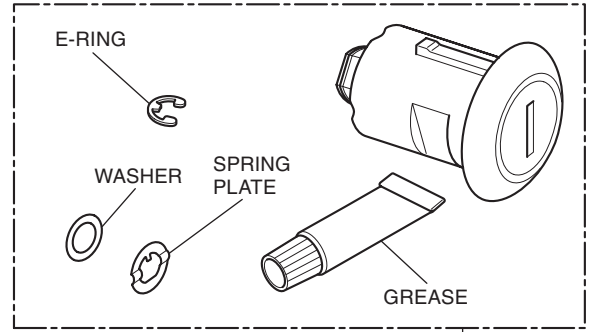
PARTS LIST



No.	Description	Qty
(1)	Right pannier case	1
(2)	Left pannier case	1
(3)	Key lock plate	2
(4)	URL paper	1
(5)	Luggage band	2

PANNIER CASE KEY SET

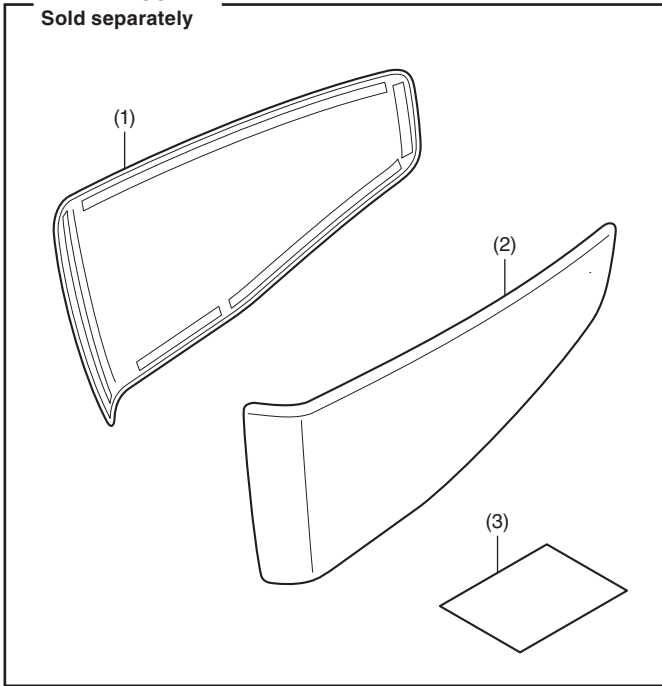
Sold separately



No.	Description	Qty
(1)	Key cylinder	2
(2)	Key	2
(3)	Key tie	1
(4)	Key number plate	1
(5)	Tube	1

PANNIER COVER

Sold separately



No.	Description	Qty
(1)	Right pannier cover	1
(2)	Left pannier cover	1
(3)	URL paper	1

PANNIER CASE STAY

Sold separately

- These are necessary depending on models, and the kit is different for each model.

SUPPLIES REQUIRED

- Long nose pliers
- Isopropyl alcohol
- Shop towel

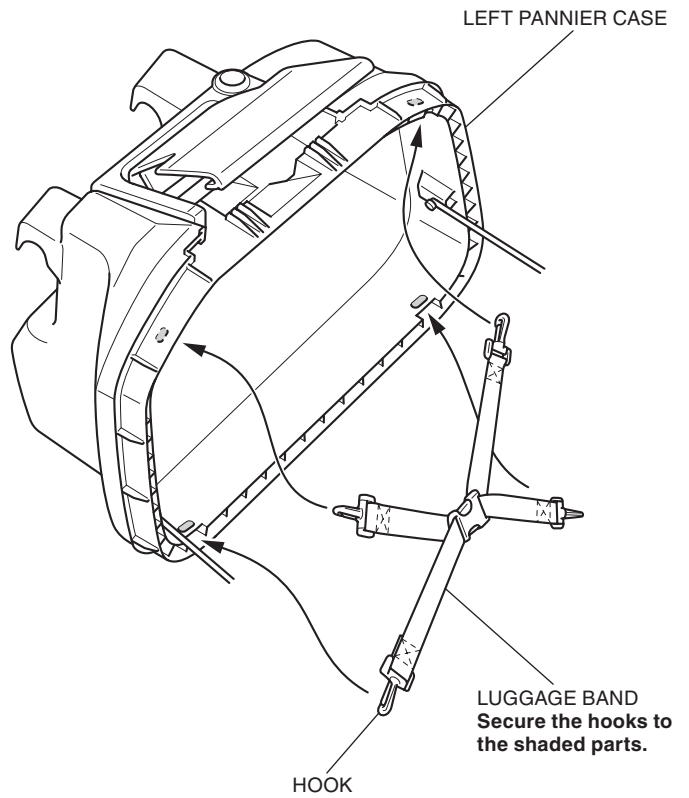
MAXIMUM LOADING CAPACITY

- The weight of the cargo must not exceed the following maximum loading capacity:

Maximum Loading Capacity	
Right pannier	4.0 kg (8.8 lb)
Left pannier	4.0 kg (8.8 lb)

INSTALLATION

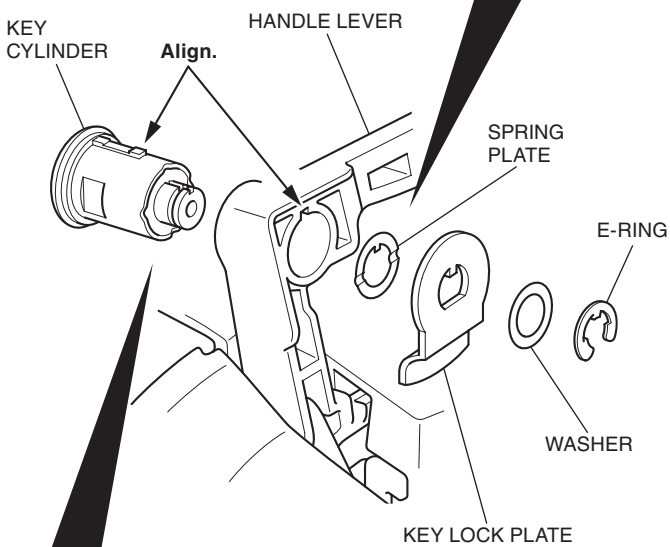
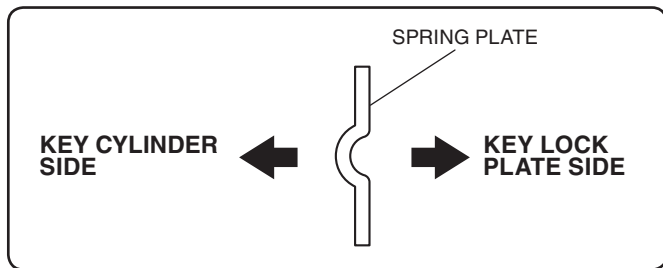
1. Install the luggage band as shown.



2. Repeat on the right side.

3. Install the key cylinder on each pannier case as shown.

- Only use the supplied grease.



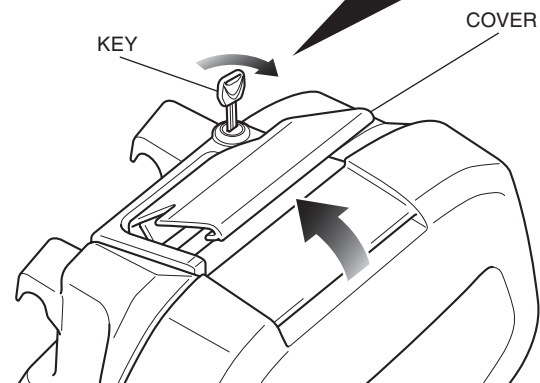
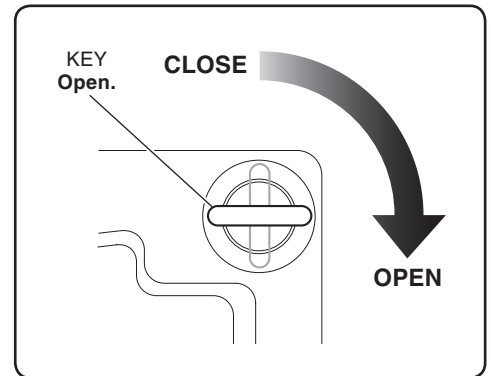
FOR USE OF THE PANNIER CASES

⚠ CAUTION

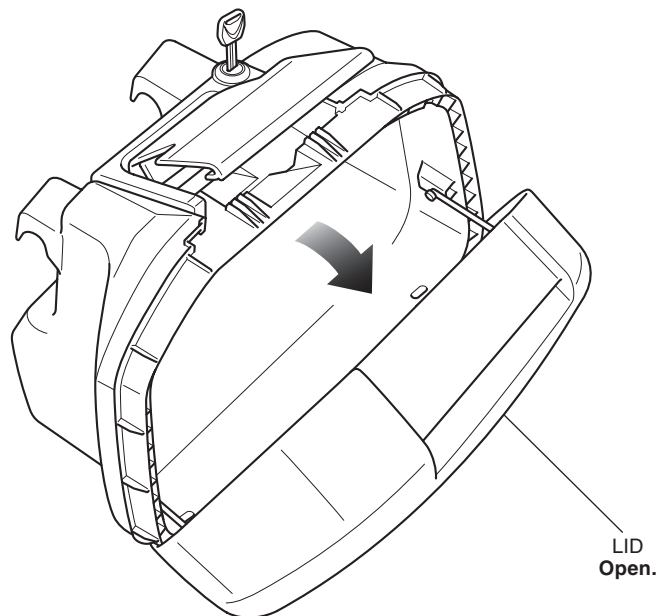
- To prevent burns, allow the engine, exhaust system, radiator, etc., to cool before installing and removing the accessory.

How to Open the Pannier Cases

1. Install the key. Release the lock by turning the key clockwise and lift the cover as shown.



2. Open the lid as shown.

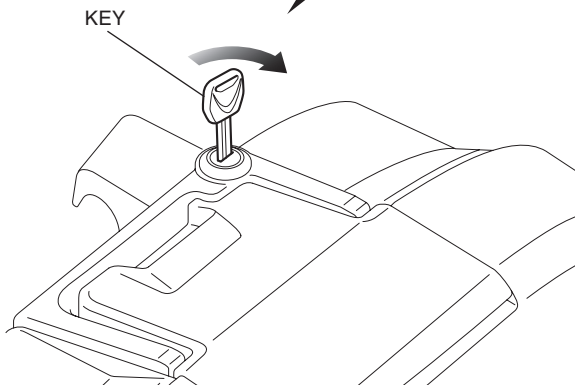
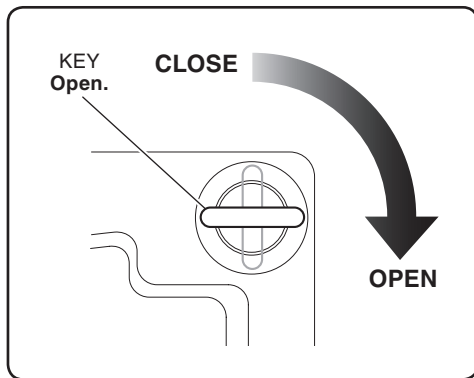


How to Close the Pannier Cases

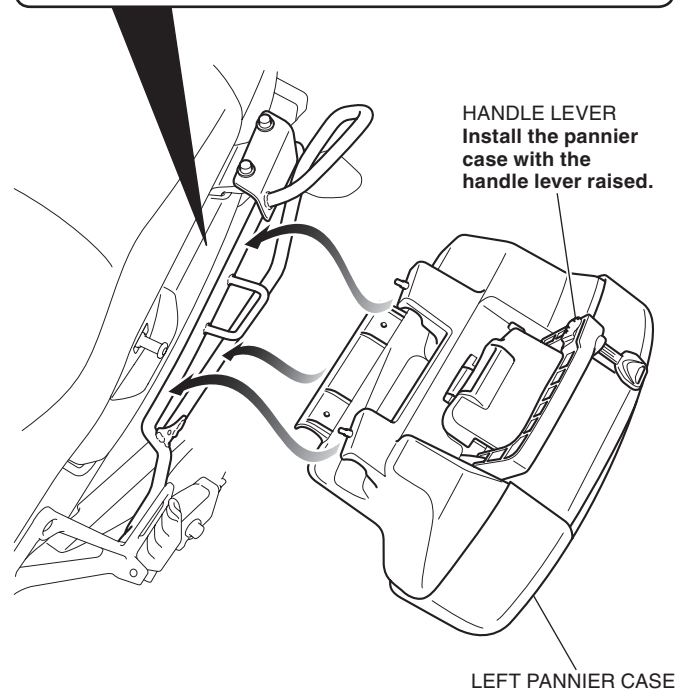
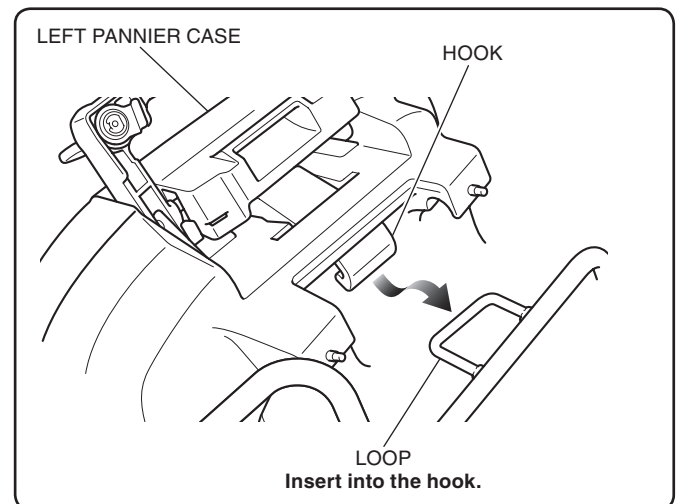
1. Close and lock the pannier cases in the reverse order of opening.

How to Install the Pannier Cases

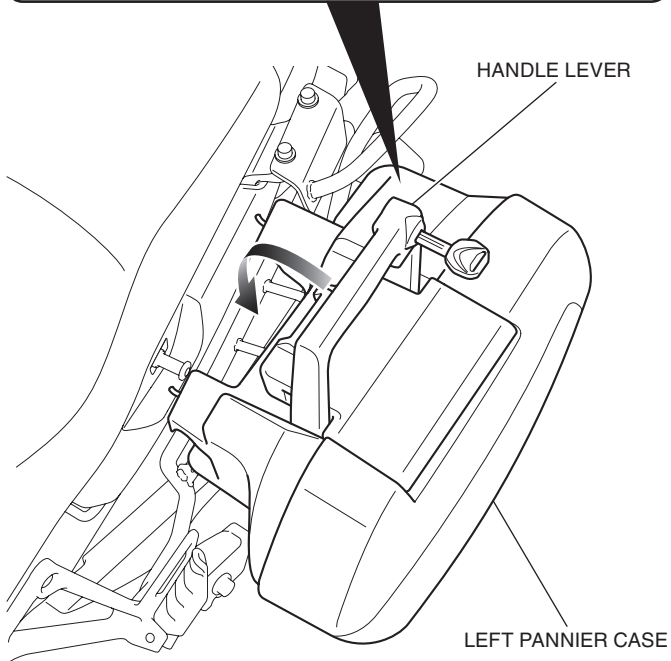
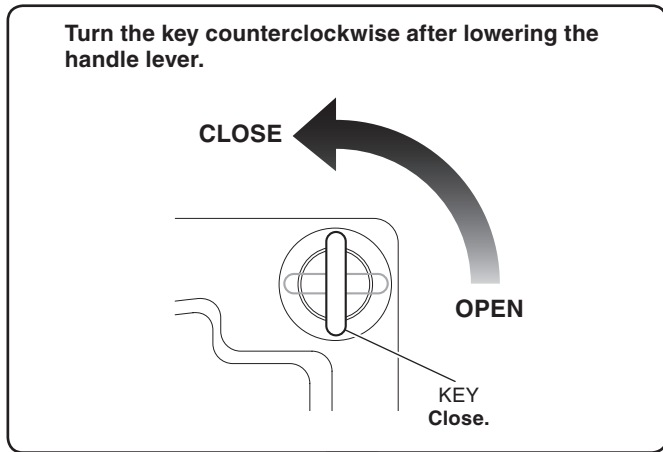
1. Install the key. Release the lock by turning the key clockwise.



2. Install the left pannier case as shown.
<Left side>

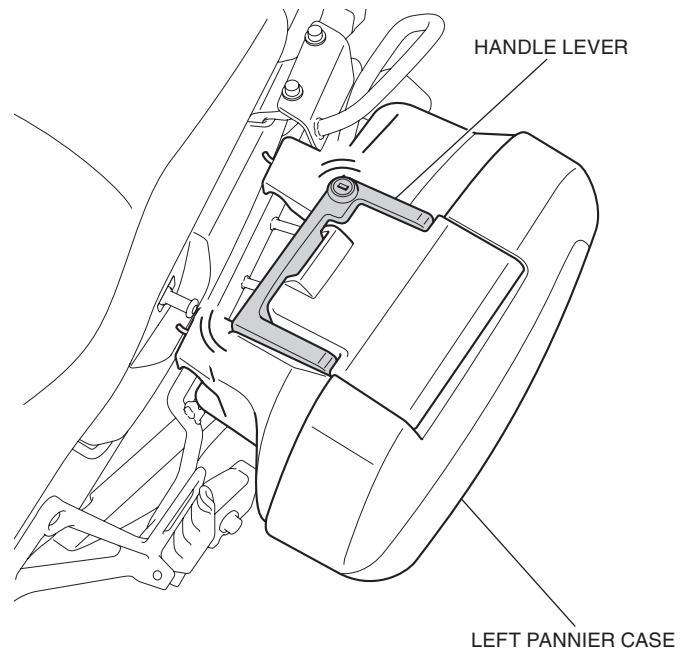


3. Lower the handle lever and lock the left pannier case by turning the key counterclockwise as shown.



4. Remove the key. Be sure that the handle lever cannot be released and the left pannier case is installed securely.

- **The left pannier case can come off during riding unless it is mounted securely.**



5. Repeat on the right side.

How to Remove the Pannier Cases

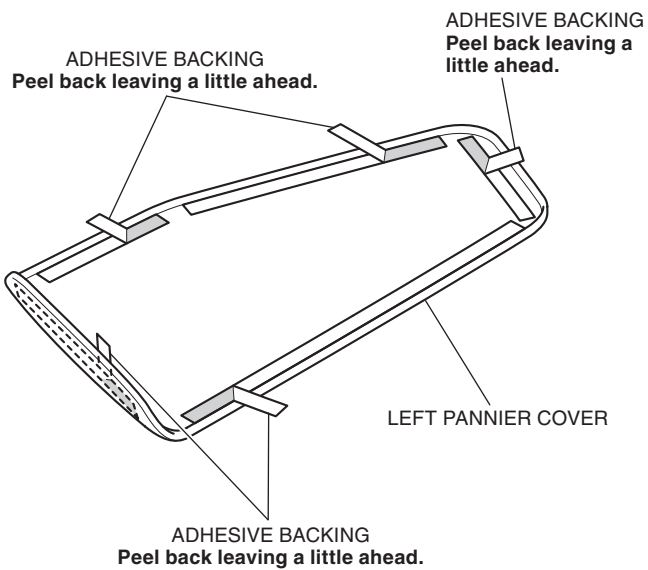
1. Remove the pannier cases in the reverse order of installation.

How to Install the Pannier Covers

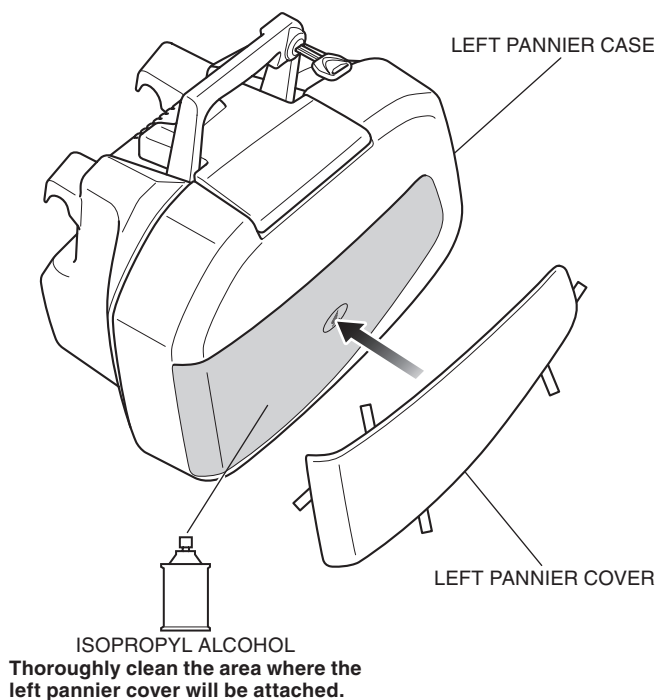
NOTE:

- Heat the bonding surfaces with a hair dryer if the ambient air temperature is below 70°F (21°C).
- The adhesive reaches full strength in 72 hours. Wait at least 24 hours before riding your motorcycle.

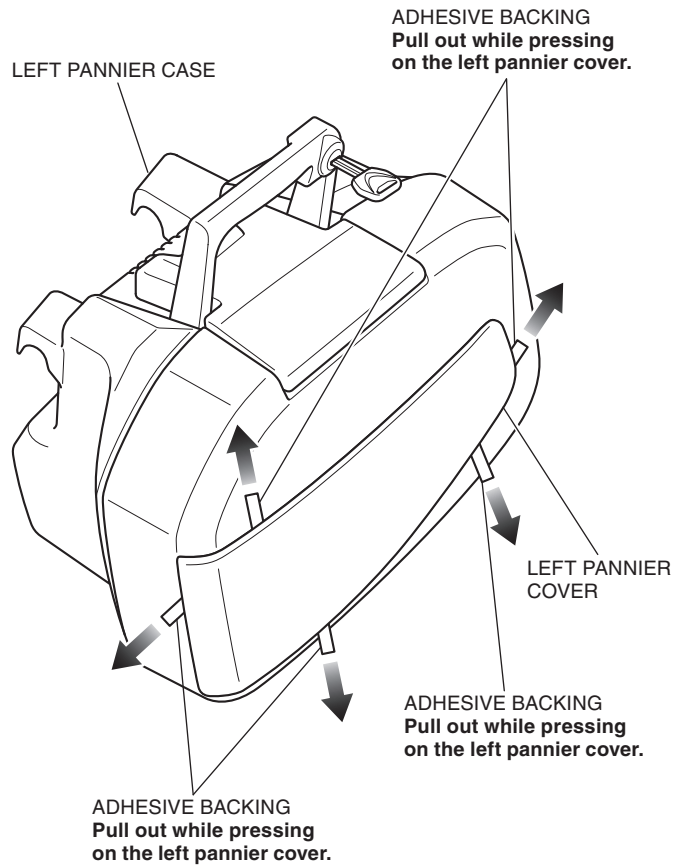
1. Remove the left pannier case.
2. Peel back an end of the adhesive backings on the left pannier cover as shown.



3. Loosely install the left pannier cover as shown.



4. Install the left pannier cover securely as shown.



5. Apply adequate pressure to the attached left pannier cover.
6. Repeat on the right side.