



INSTALLATION INSTRUCTIONS

Accessory

ILLUMINATED ENTRY
P/N 08U70-MKC-A00

Application

GL1800/B/BD/D/DA

Publication No.

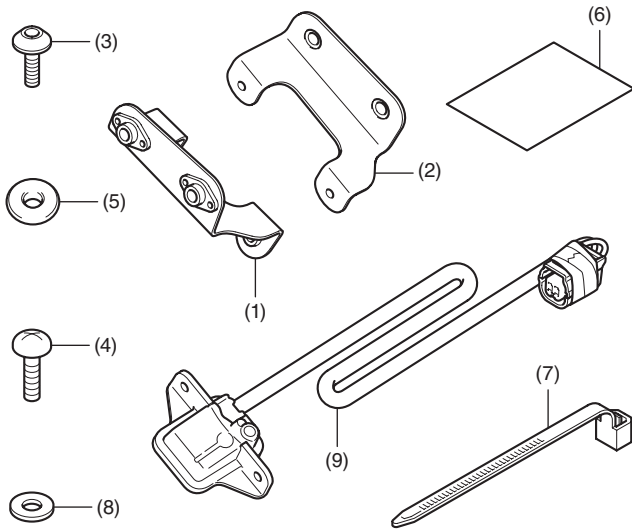
MII

Issue Date

November 2017

Honda Dealer: Please give a copy of these instructions to your customer.

PARTS LIST



No.	Description	Qty
(1)	Right stay	1
(2)	Left stay	1
(3)	5 mm screw	4
(4)	4 mm screw	4
(5)	Grommet	2
(6)	Installation Instructions URL	1
(7)	Wire tie	1
(8)	Washer	4
(9)	Illuminated entry lamp	2

TOOLS AND SUPPLIES REQUIRED

Hex wrench (3 mm)

Phillips ® screwdriver

Nippers

Electric drill

Drill bit (13 mm)

File

Torque wrench

TORQUE CHART

Tighten all screws, bolts, and nuts to their specified torque values. Refer to the Service Manual for the torque values of the removed parts.

Item	N-m	kgf-m	lbf-ft
4 mm screw	1	0.1	0.7
5 mm screw	4.2	0.5	3.8

INSTALLATION

▲ CAUTION

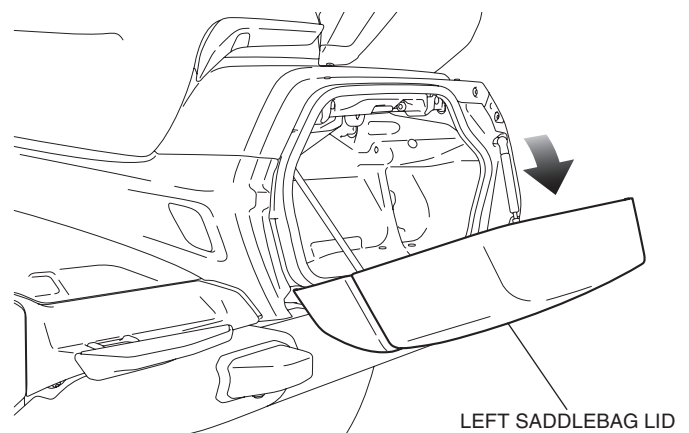
- To prevent burns, allow the engine, exhaust system, radiator, etc., to cool before installing the accessory.

NOTE:

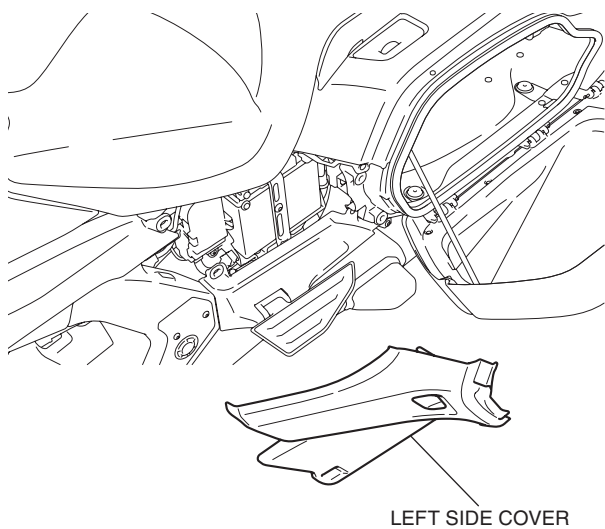
- Disconnect the negative (-) cable from the battery before installing this accessory.
- The memories of the clock will be erased when you disconnect the battery. Reset the memories after reconnecting the battery.
- Reinstall the removed parts on the motorcycle and make sure that the wires and harnesses are not pinched.
- Trim the excess ends off the wire ties after attaching them to the wire harnesses. Do not allow the cut part of the wire tie to interfere with another harness or brake hose.

- Open the left saddlebag lid as shown.
 - Repeat on the right side.

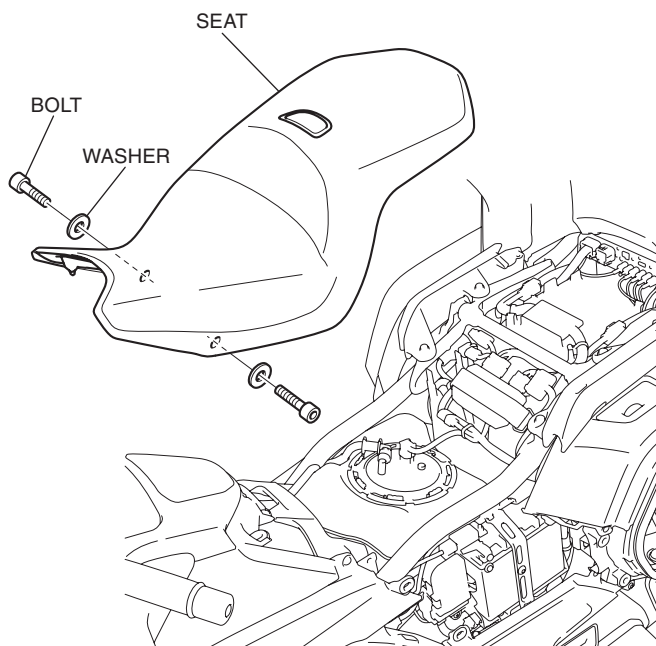
<Left side>



- Remove the left side cover as shown, and disconnect the negative (-) cable of the battery.

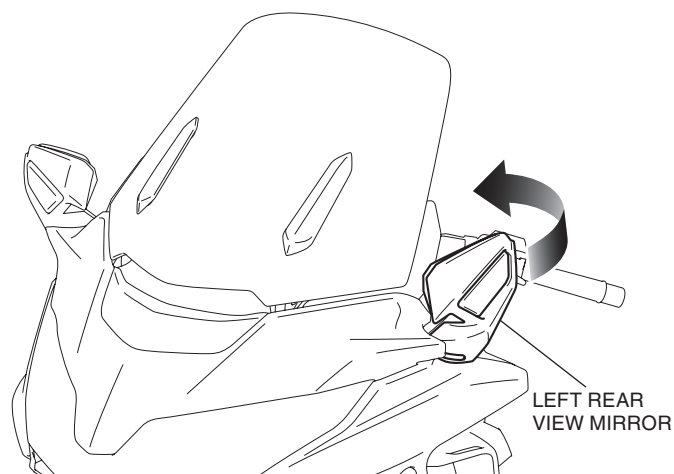


- Remove the right side cover in the same manner as the left side.
- Remove the seat as shown.
 - Disconnect the connector for GL1800/D/DA.



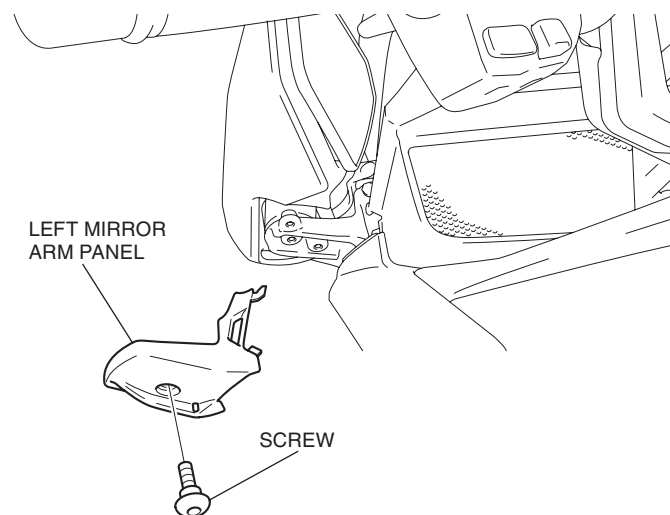
- Fold down the left rear view mirror backward as shown.

<Left side>



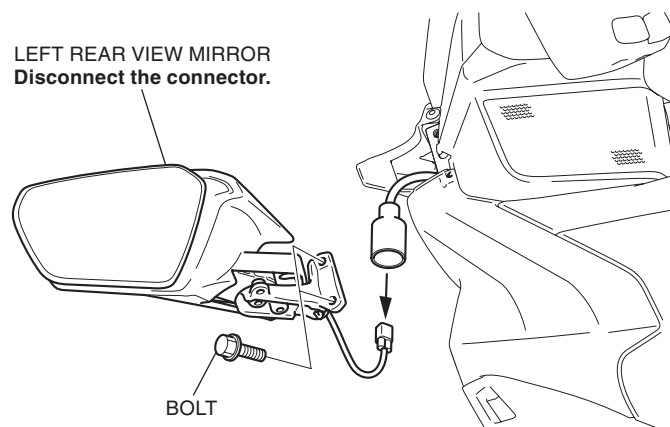
- Remove the left mirror arm panel as shown.

<Left side>



- Remove the left rear view mirror as shown.

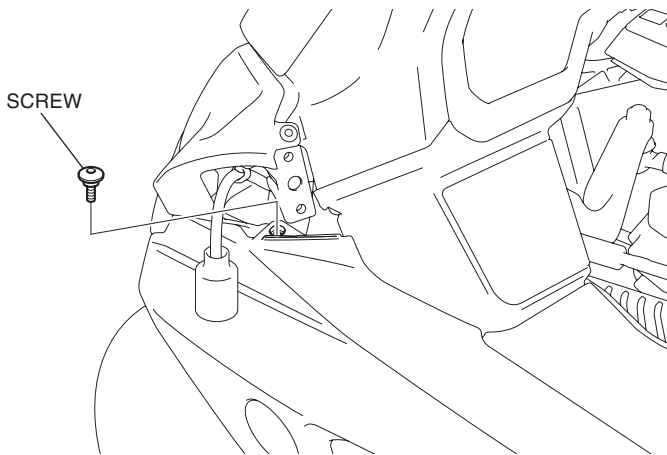
LEFT REAR VIEW MIRROR
Disconnect the connector.



- Remove the right mirror arm panel and right rear view mirror in the same manner as the left side.

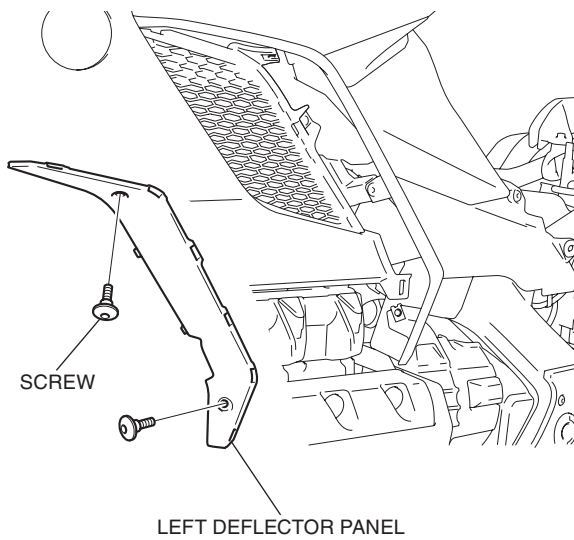
9. Remove the screw as shown.
 • Repeat on the right side.

<Left side>

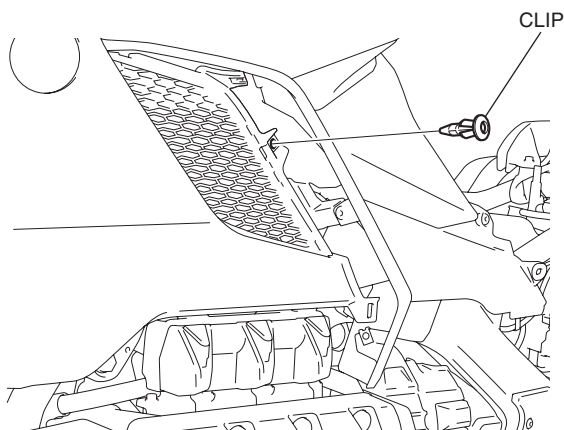


10. Remove the left deflector panel as shown.

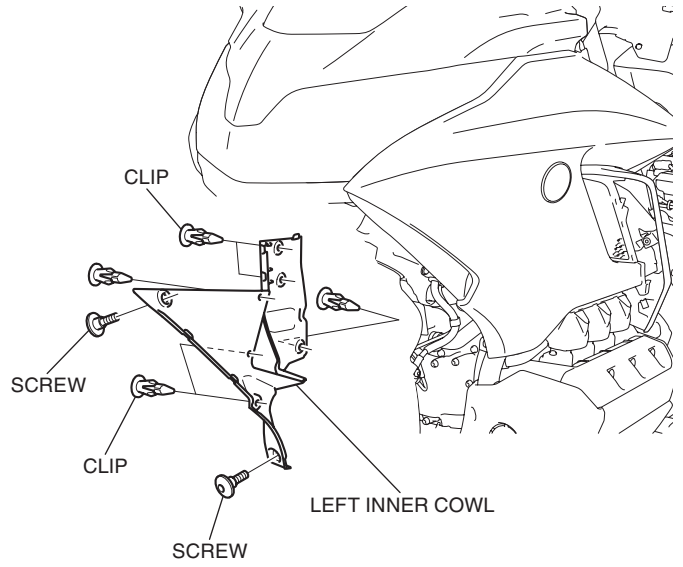
<Left side>



11. Remove the clip as shown.

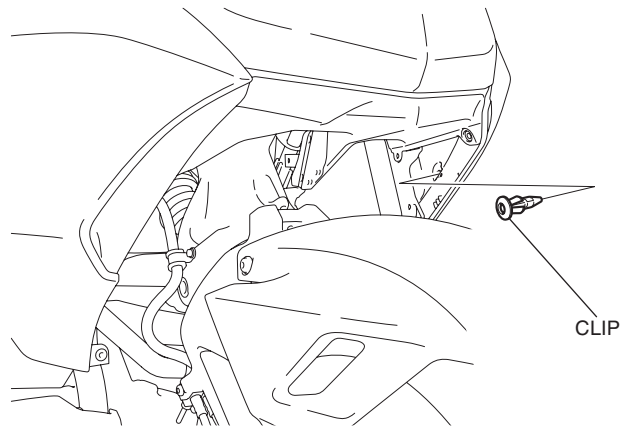


12. Remove the left inner cowl as shown.



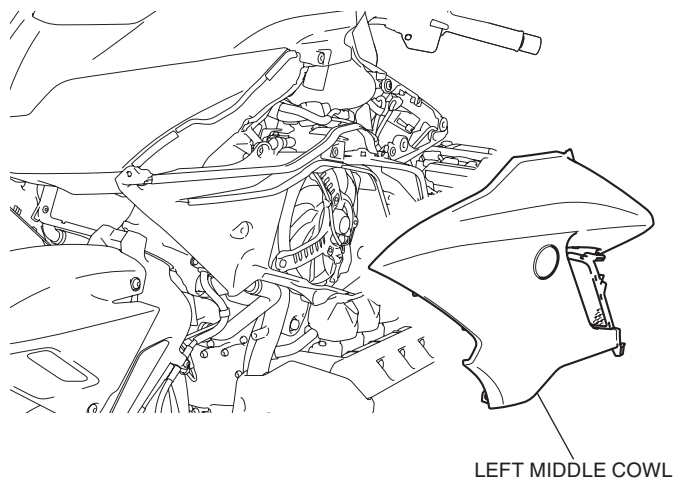
13. Remove the clip as shown.

<Left side>



14. Remove the left middle cowl as shown.

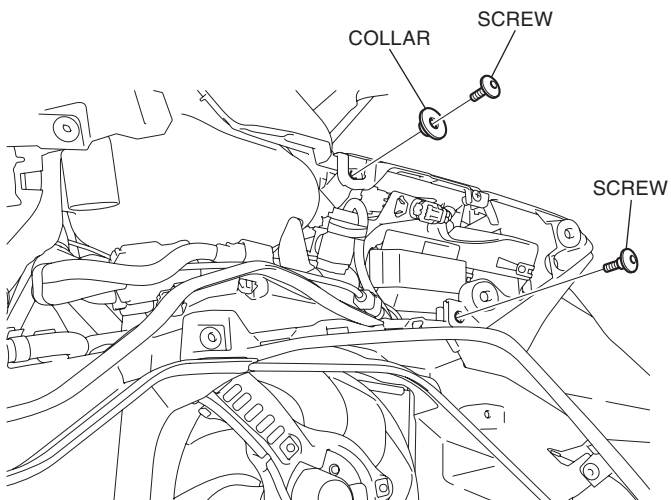
<Left side>



15. Remove the right deflector panel, right inner cowl and right middle cowl in the same manner as the left side.

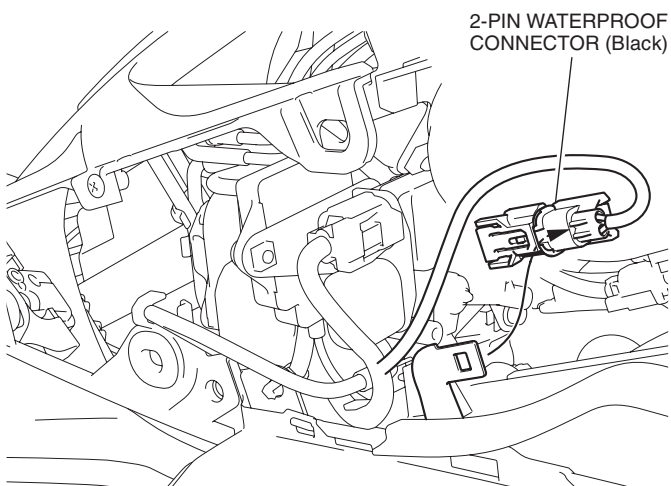
16. Remove the parts as shown.
• Repeat on the right side.

<Left side>

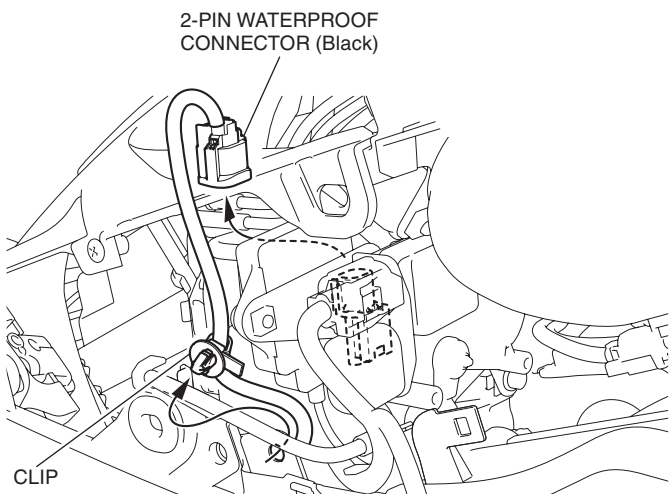


17. Remove the connector as shown.

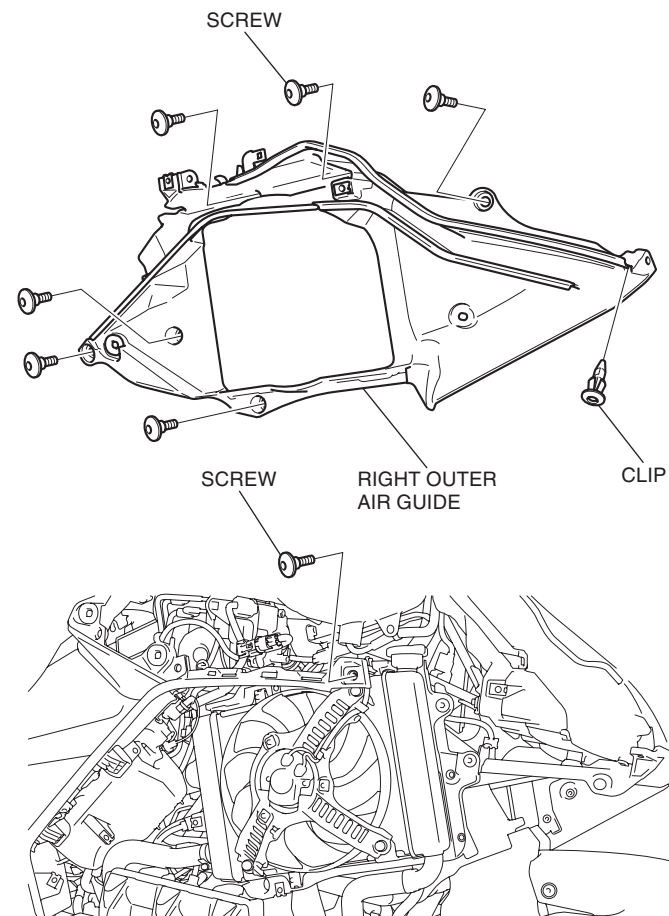
<Right side>



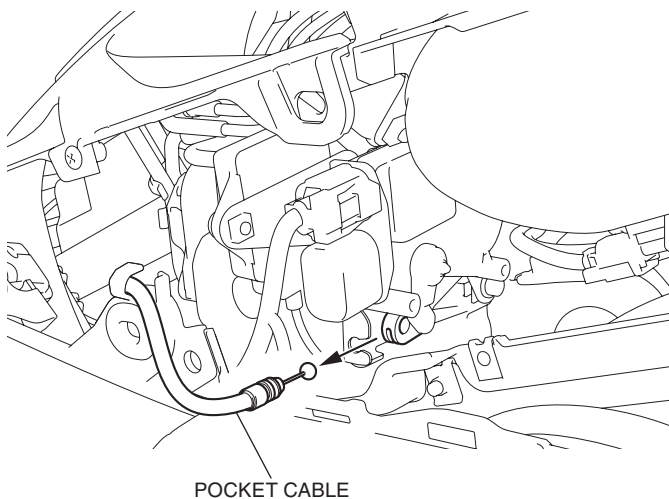
18. Remove the clip and disconnect the connector as shown.



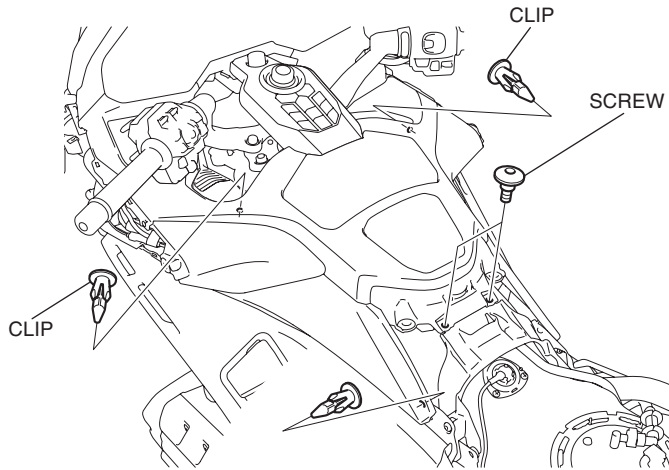
19. Remove the right outer air guide as shown.



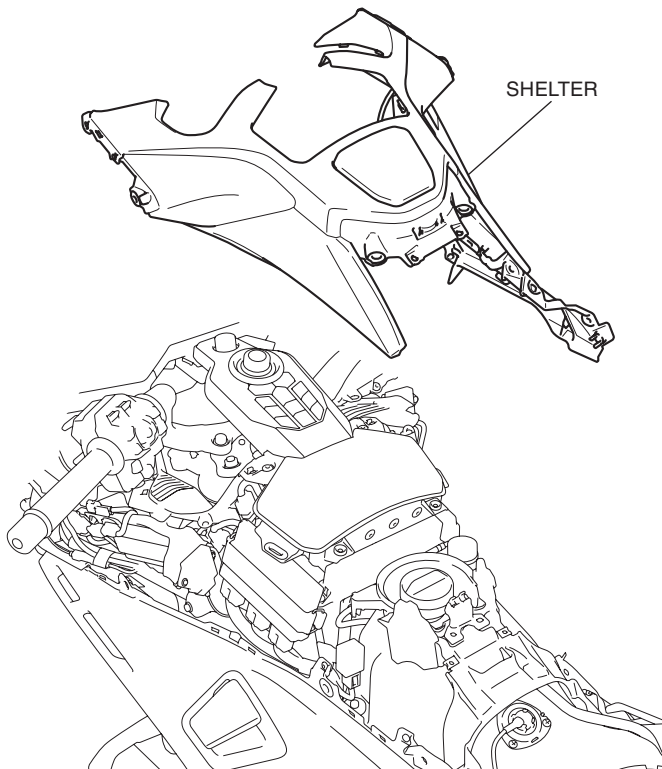
20. Remove the pocket cable as shown.



21. Remove the parts as shown.

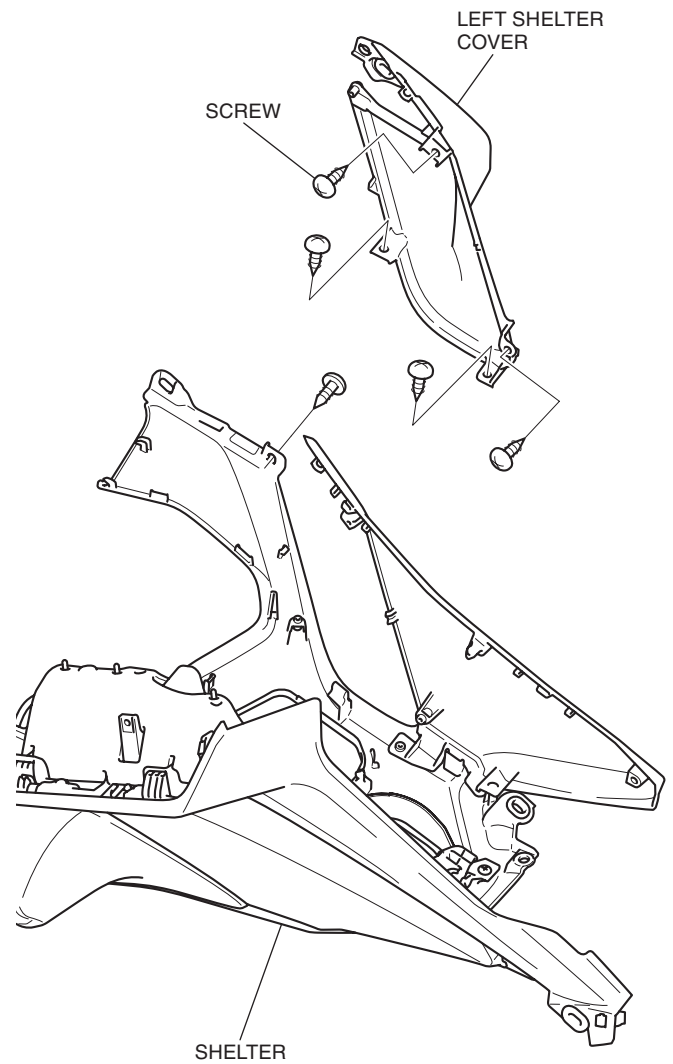


22. Remove the shelter as shown.



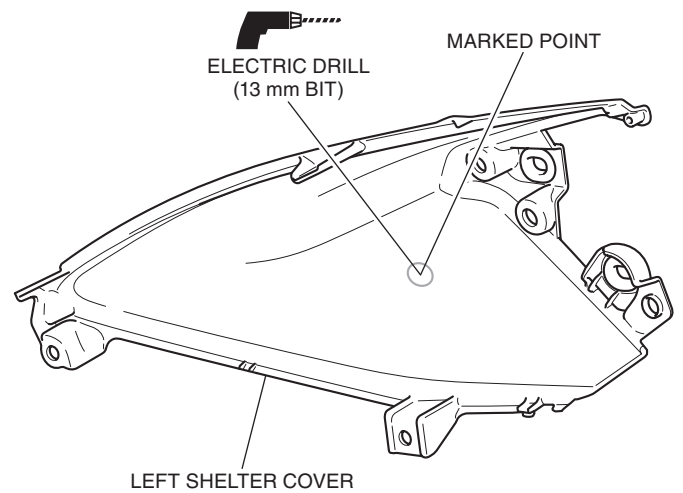
23. Remove the left shelter cover as shown.

- Repeat on the right side.

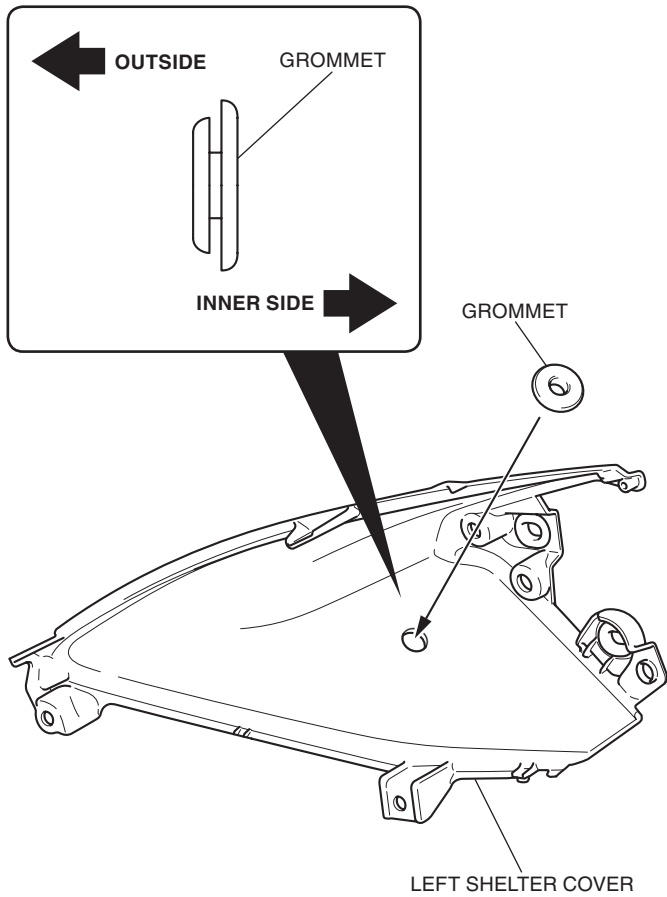


24. Drill at the marked point of the left shelter cover as shown.

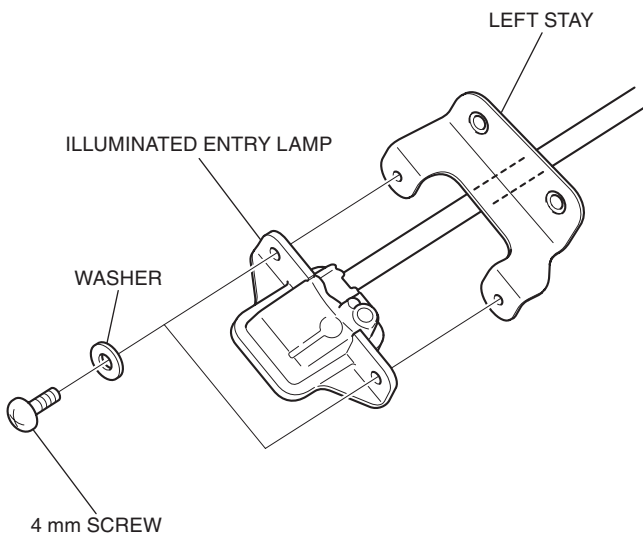
- Remove the any burrs from the edge of the hole.
- Repeat on the right side.



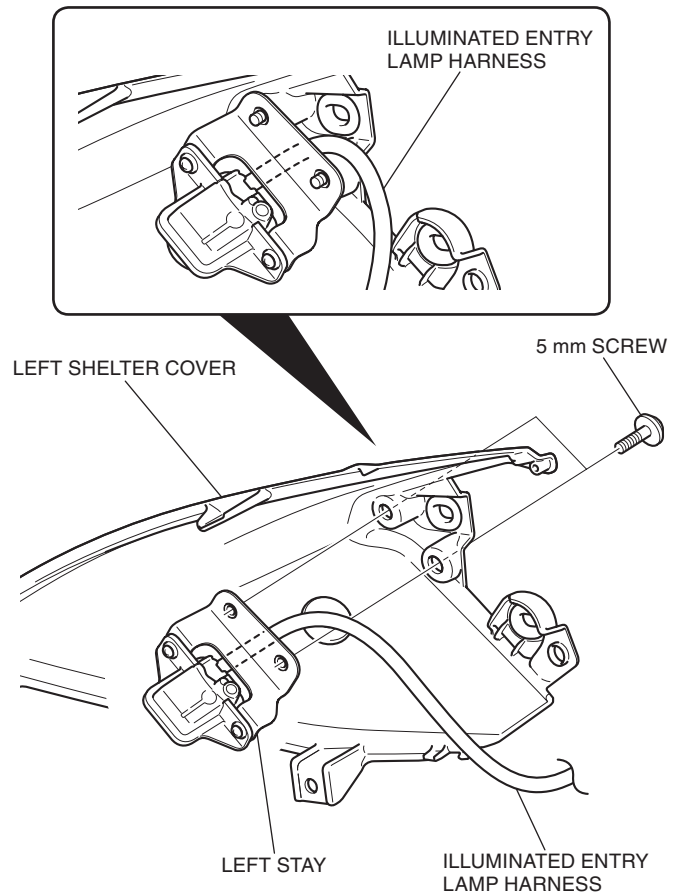
25. Install the grommet as shown.



26. Install the illuminated entry lamp as shown.



27. Route the illuminated entry lamp harness and install the left stay.

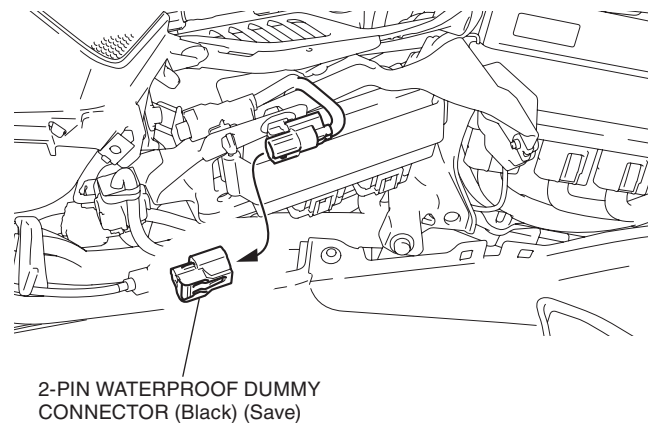


28. Install the grommet, illuminated entry lamp and right stay in the same manner as the left side.

29. Install the right and left shelter cover in reverse order of removal.

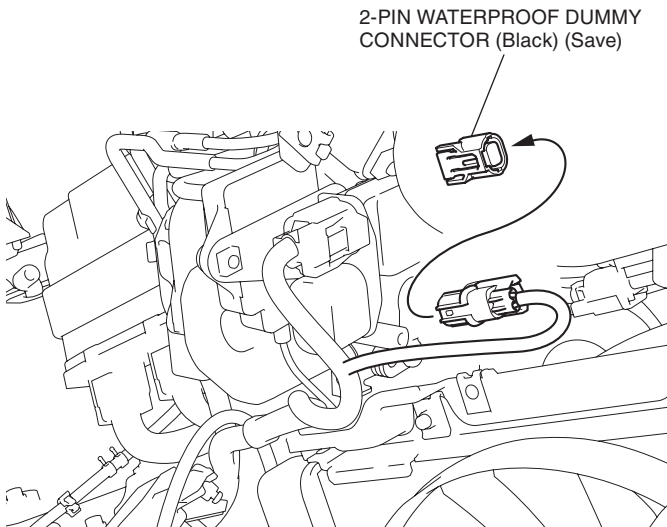
30. Remove the dummy connector as shown.

<Left side>



31. Remove the dummy connector as shown.

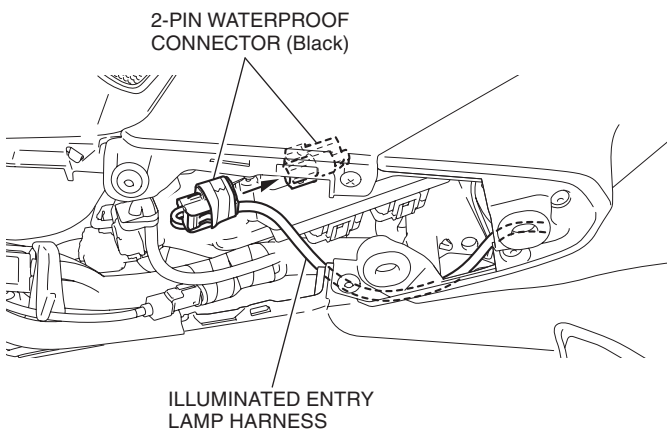
<Right side>



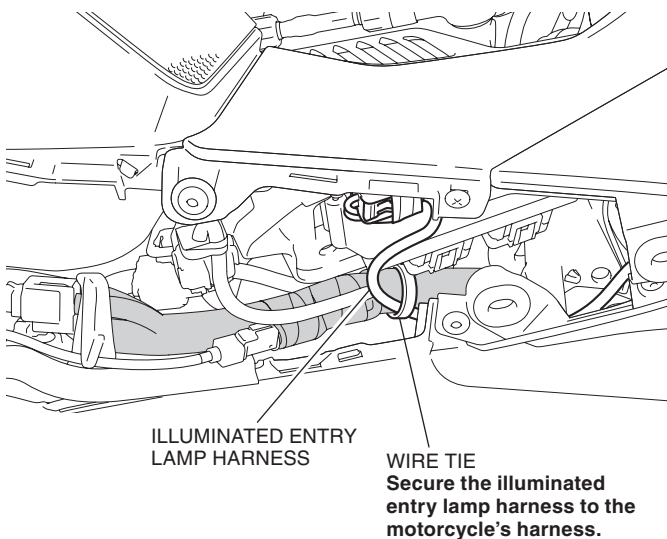
32. Install the shelter, pocket cable, connector and right outer air guide in the reverse order of removal.

33. Route and connect the illuminated entry lamp harness as shown.

<Left side>

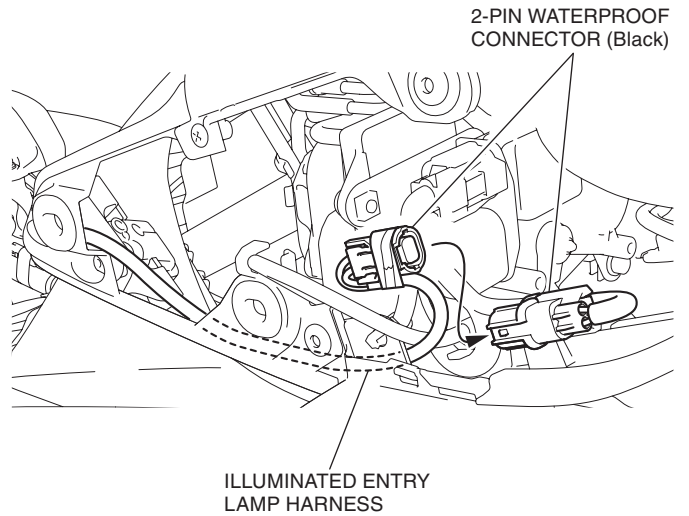


34. Secure the illuminated entry lamp harness with the wire tie.



35. Route and connect the illuminated entry lamp harness as shown.

<Right side>



36. Install the motorcycle's parts in the reverse order of removal.

- **Confirm that any wire harness is not caught or too tight.**

37. Check the illuminated entry lamp, headlight and the other lights for proper operation.

- **Check that the illuminated entry lamp automatically goes on when the ignition switch is turned from ON to OFF.**