



# INSTALLATION INSTRUCTIONS

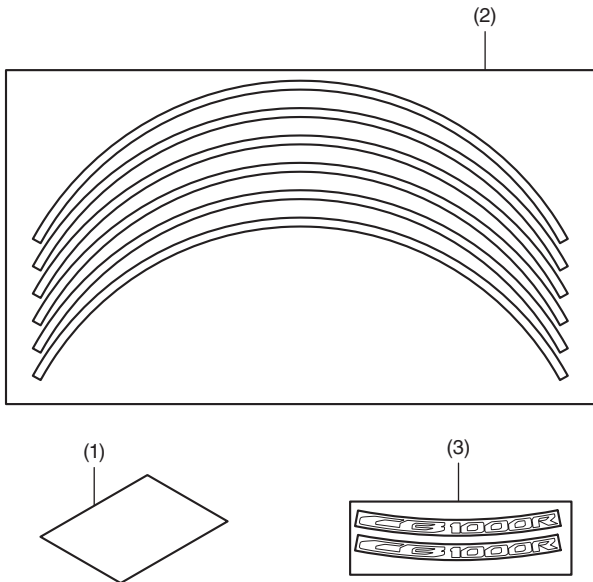
Accessory	Application	Publication No.
<b>WHEEL STRIPE P/N 08F74-MKJ-D00</b>	<b>CB1000RA</b>	<b>MII</b>
		Issue Date
		<b>January 2018</b>

Accessory	Application	Publication No.
<b>WHEEL STRIPE P/N 08F74-MKJ-D00</b>	<b>CB1000RA</b>	<b>MII</b>
		Issue Date
		<b>January 2018</b>

Accessory	Application	Publication No.
<b>WHEEL STRIPE P/N 08F74-MKJ-D00</b>	<b>CB1000RA</b>	<b>MII</b>
		Issue Date
		<b>January 2018</b>

**Honda Dealer: Please give a copy of these instructions to your customer.**

## PARTS LIST



No.	Description	Qty
(1)	URL paper	1
(2)	Wheel sticker	2
(3)	Wheel logo mark	2

## SUPPLIES REQUIRED

- Marker
- Scissors
- Masking tape
- Isopropyl alcohol
- Shop towel

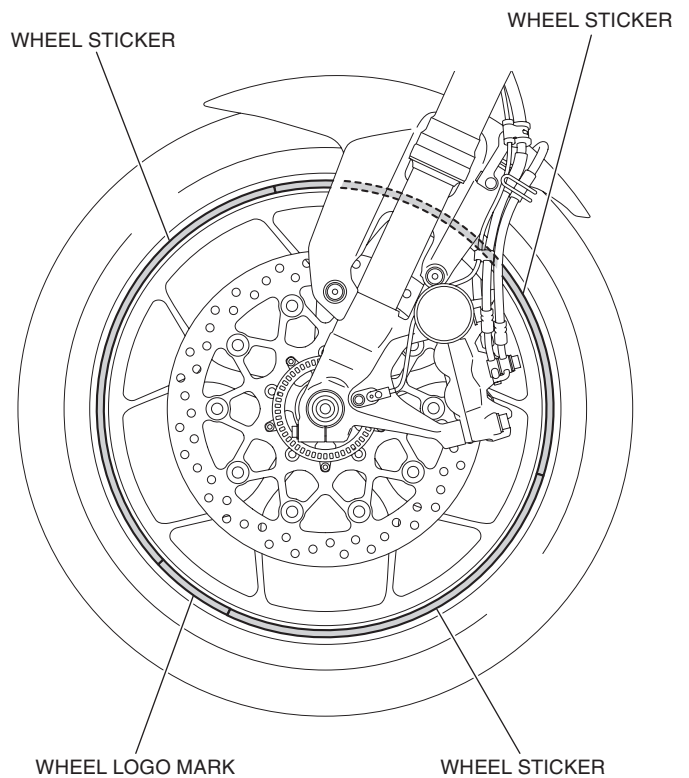
## INSTALLATION

### ▲ CAUTION

- To prevent burns, allow the engine, exhaust system, radiator, etc., to cool before installing the accessory.

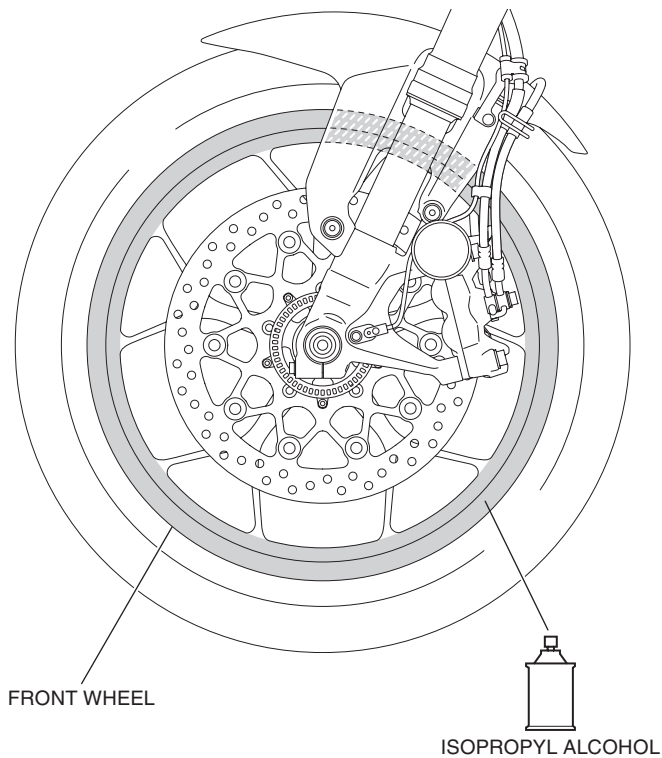
### NOTE:

- Heat the bonding surfaces with a hair dryer if the ambient air temperature is below 70°F (21°C).
- The adhesive reaches full strength in 72 hours. Wait at least 24 hours before riding your motorcycle.
- To neatly attach this accessory, attach it while lifting the tire with the maintenance stand or similar and adjusting the space between the wheel sticker and rim.
- Attach the three wheel sticker and one wheel logo mark to the one side of the wheel as shown.

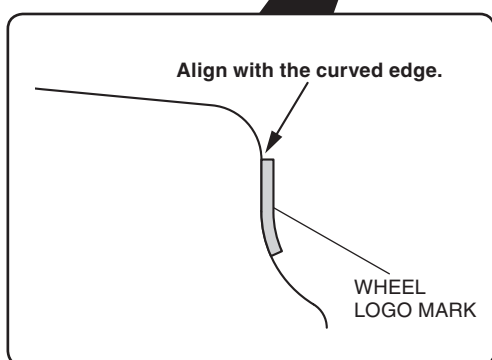
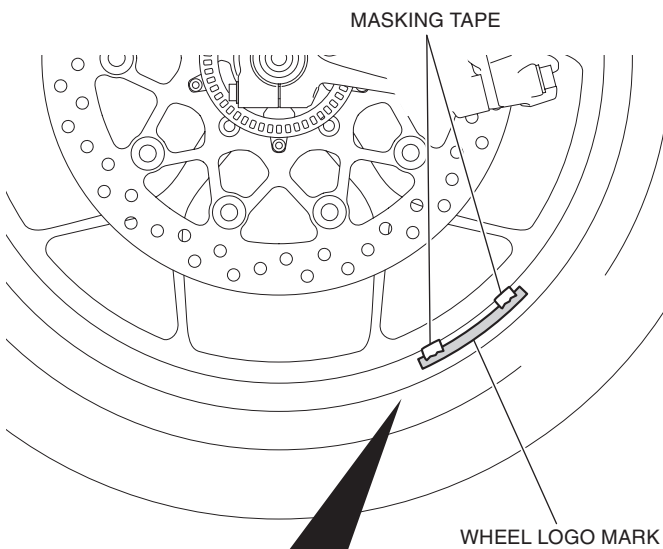


1. Clean the surface of the area shown using an isopropyl alcohol.

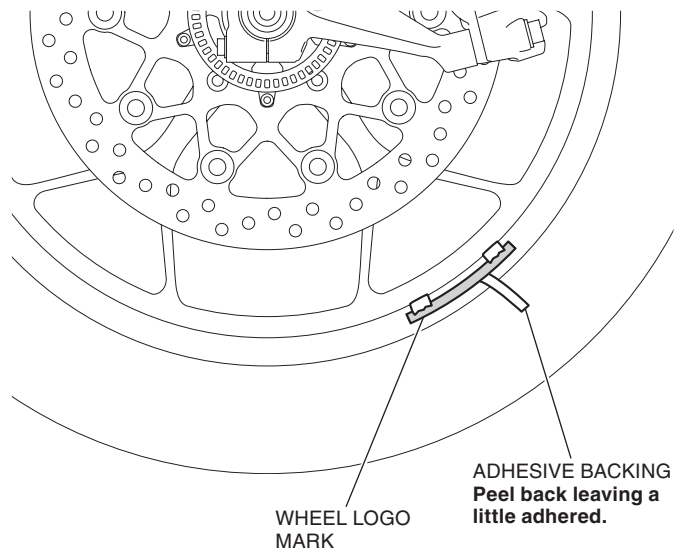
<Left side>



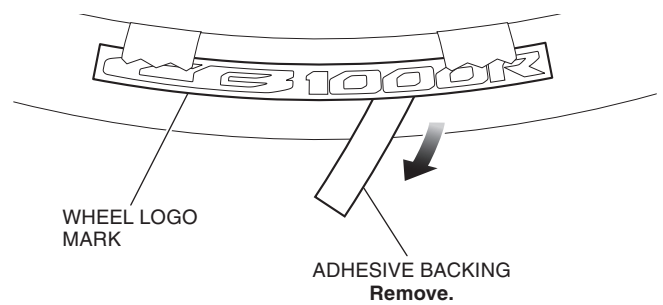
2. Temporarily install the wheel logo mark as shown.



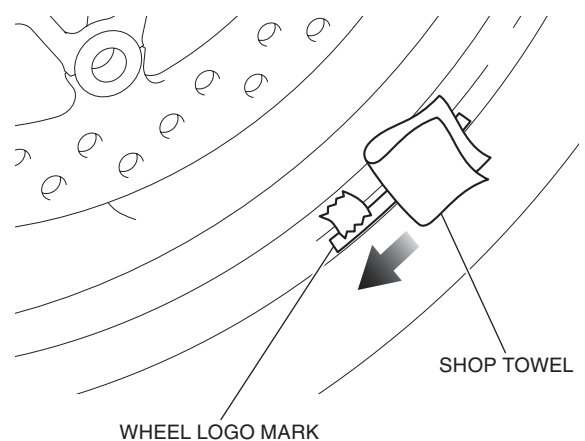
3. Partly remove the adhesive backing from behind the wheel logo mark.



4. Attach the wheel logo mark as shown.

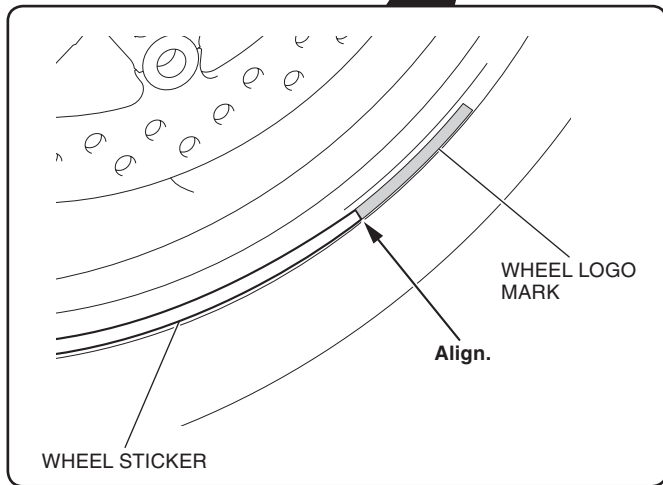
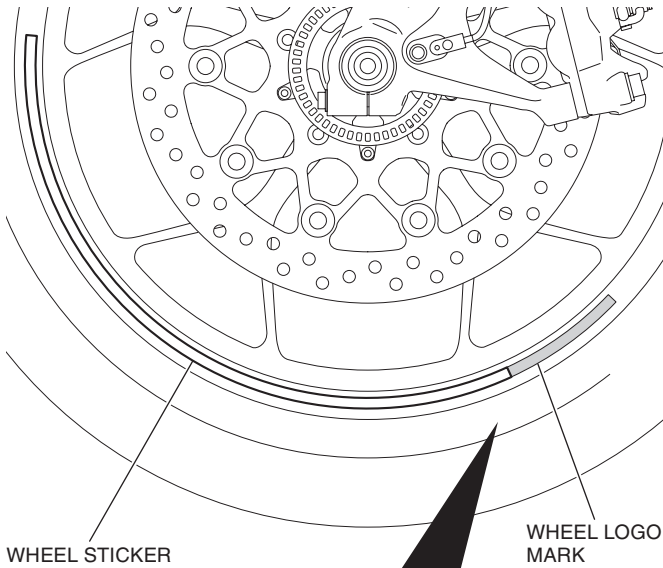


5. Using a shop towel, force out excessive air.

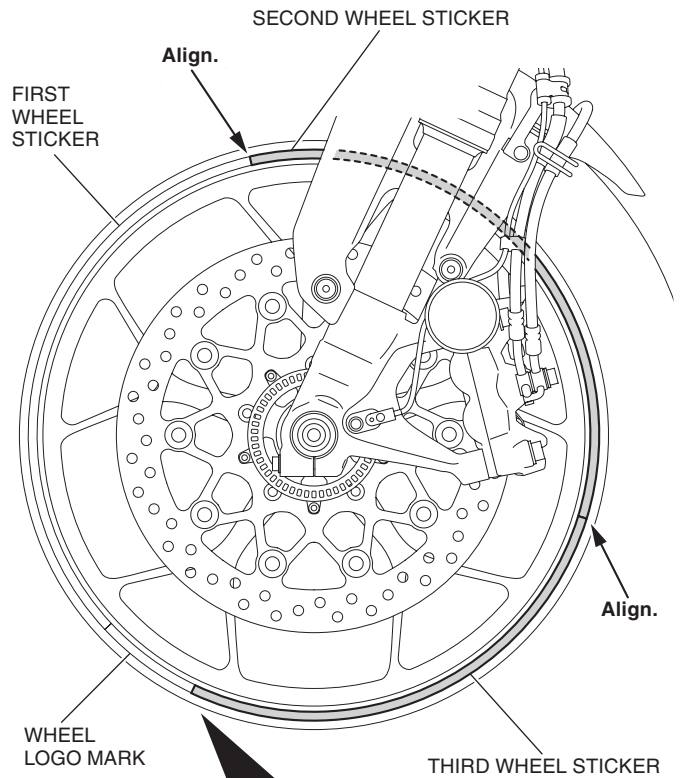


6. Remove the masking tape.

7. Attach the wheel sticker as shown.
  - **Being careful not to allow air bubbles, glue on the wheel sticker while adjusting the space between the wheel sticker and the rim.**
  - **Do not glue on while pulling and stretching the wheel sticker.**
  - **Using a shop towel, force out excessive air.**

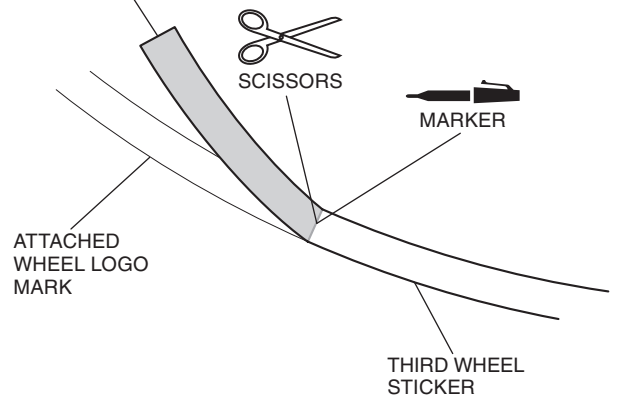


8. Attach the second and third wheel stickers in the same manner as the first wheel sticker.



**Align with the end of the wheel logo mark, and trim the excess end of the third wheel sticker as shown.**

Trim the excess part.



9. Remove the application paper of wheel stickers.
10. Install the right side of the wheel stickers and wheel logo mark in the same manner as the left side.
  - **Install the right side of the front wheel logo mark in the same position as the left side.**
11. Install the rear side of the wheel stickers and wheel logo marks in the same manner as the front side.