



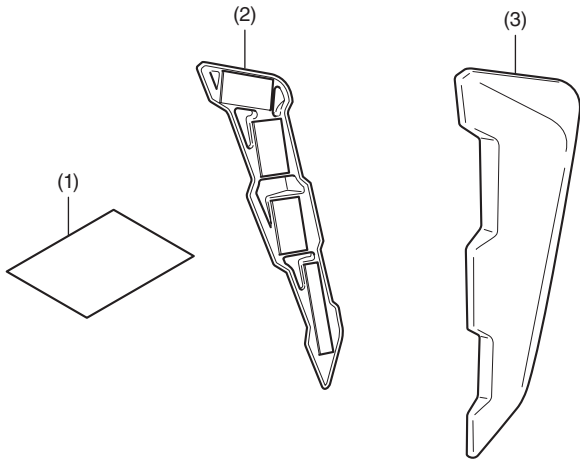
# INSTALLATION INSTRUCTIONS

Accessory	Application
<b>DEFLECTOR</b> P/N 08R71-MKP-J80	<b>CB500XA</b>

Publication No.
<b>MII</b>
Issue Date
<b>October 2018</b>

**Honda Dealer: Please give a copy of these instructions to your customer.**

## PARTS LIST



No.	Description	Qty
(1)	URL paper	1
(2)	Right deflector	1
(3)	Left deflector	1

## SUPPLIES REQUIRED

- Scale
- Masking tape
- Isopropyl alcohol
- Shop towel

## INSTALLATION

### ▲ CAUTION

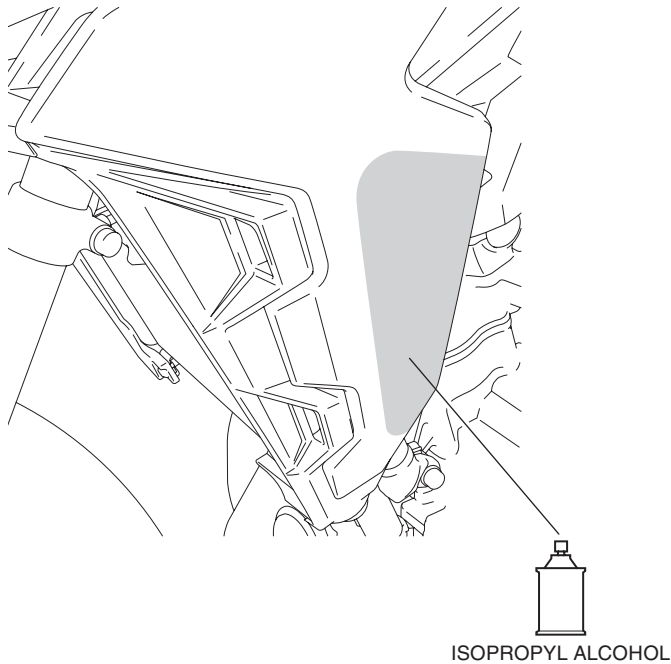
- To prevent burns, allow the engine, exhaust system, radiator, etc., to cool before installing the accessory.

### NOTE:

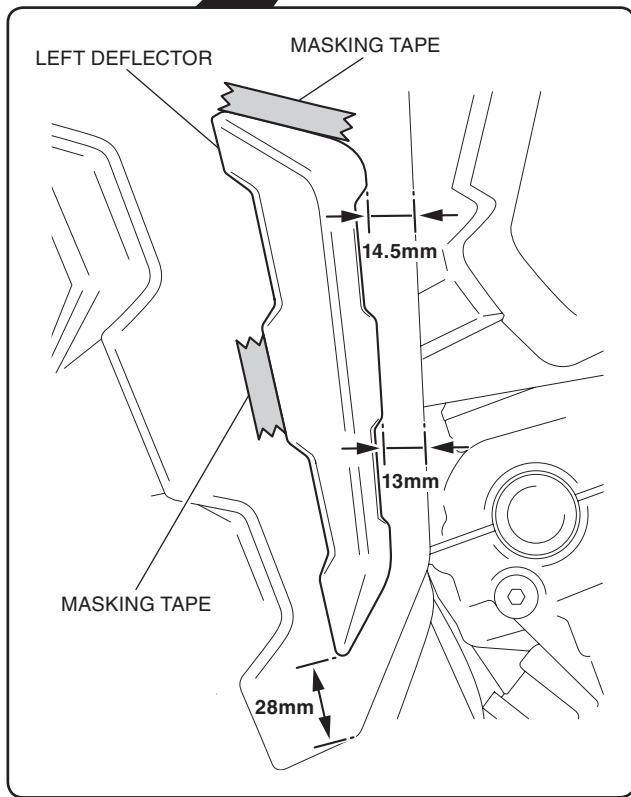
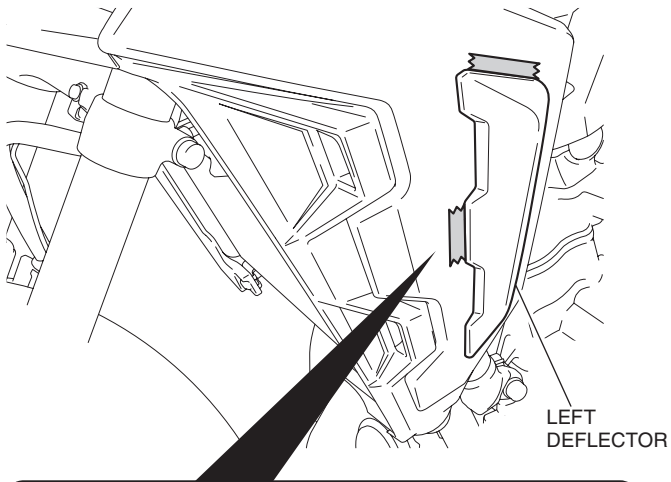
- Heat the bonding surfaces with a hair dryer if the ambient air temperature is below 70°F (21°C).
- The adhesive reaches full strength in 72 hours. Wait at least 24 hours before riding your motorcycle.

- Clean the surface of the area shown using an isopropyl alcohol.

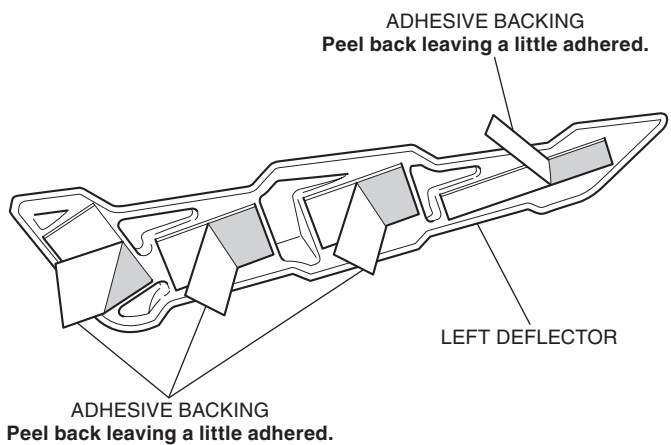
<Left side>



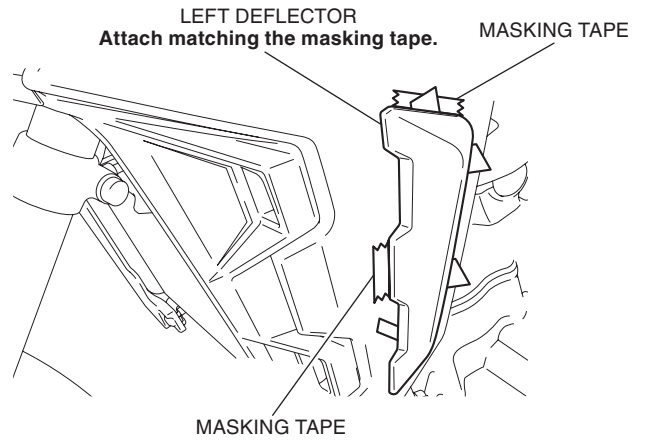
2. Arrange the left deflector as shown and mark with masking tape.



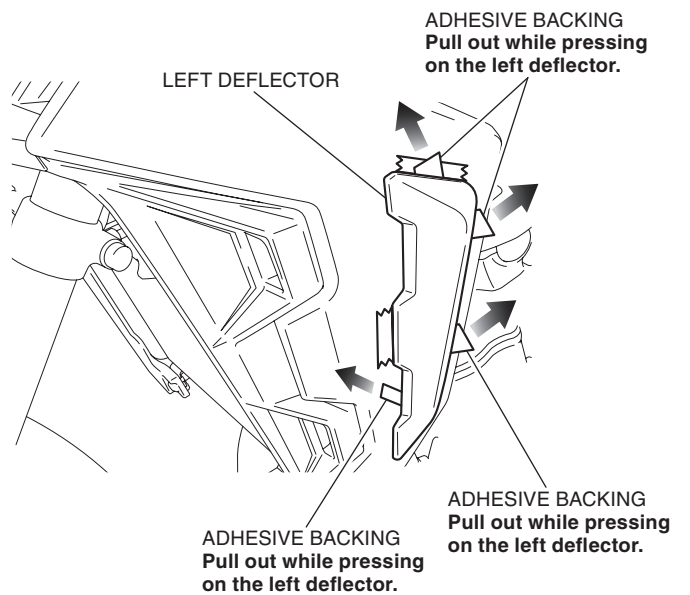
3. Peel off the adhesive backing on the left deflector as shown.



4. Attach the left deflector as shown.



5. Remove the adhesive backing as shown.



6. Remove the masking tape and apply adequate pressure to the attached left deflector.
7. Install the right deflector in the same manner as the left side.