



INSTALLATION INSTRUCTIONS

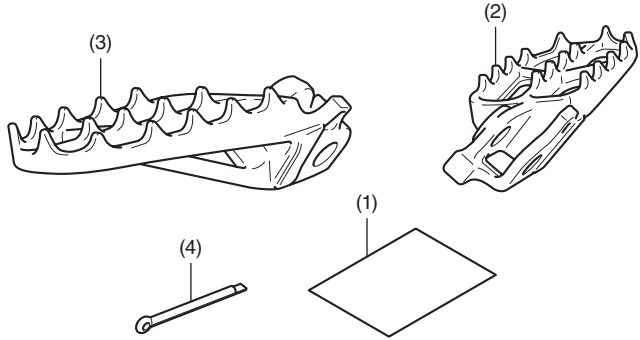
Accessory
RALLY STEP
P/N 08R79-MKS-E00

Application
CRF1100A/A2/A4/D/D2/D4

Publication No.
MII
Issue Date
August 2019

Honda Dealer: Please give a copy of these instructions to your customer.

PARTS LIST



No.	Description	Qty
(1)	URL paper	1
(2)	Right rally step arm	1
(3)	Left rally step arm	1
(4)	Split pin	2

SUPPLIES REQUIRED

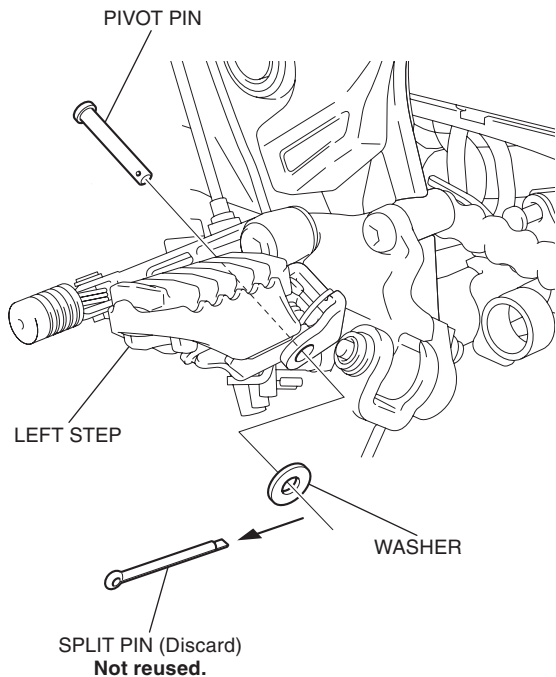
Long nose pliers
Grease

INSTALLATION

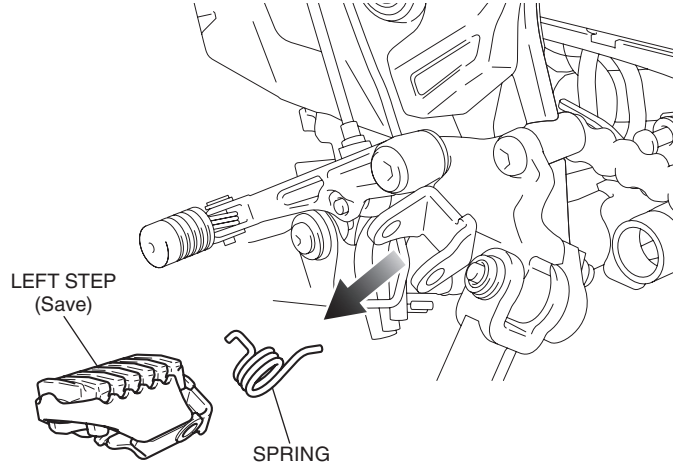
▲ CAUTION

- To prevent burns, allow the engine, exhaust system, radiator, etc., to cool before installing the accessory.

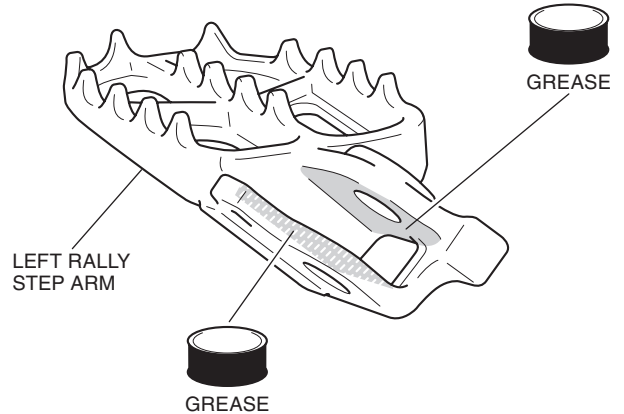
- Remove the split pin and pivot pin.
<Left side>



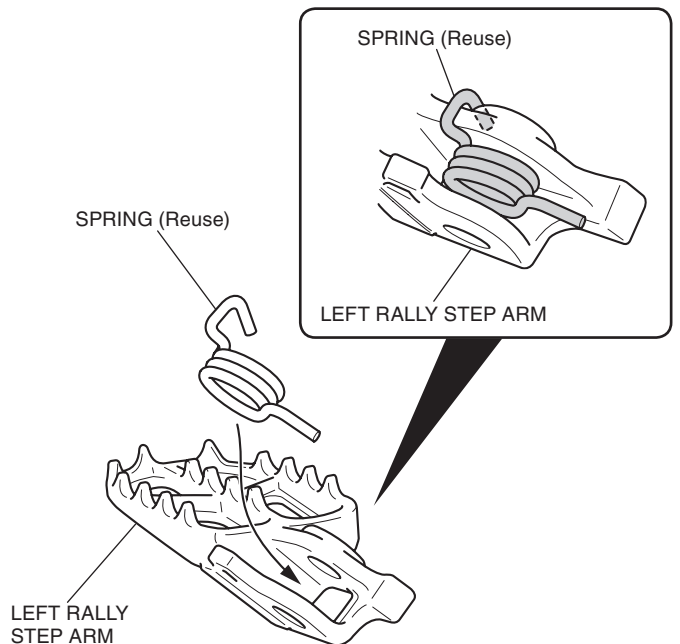
- Remove the left step as shown.



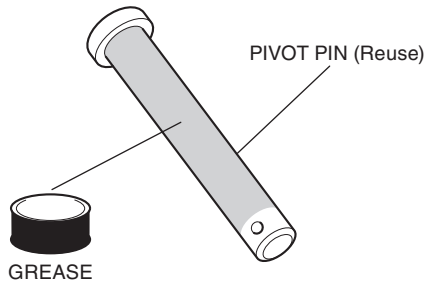
- Apply grease to the positions shown.



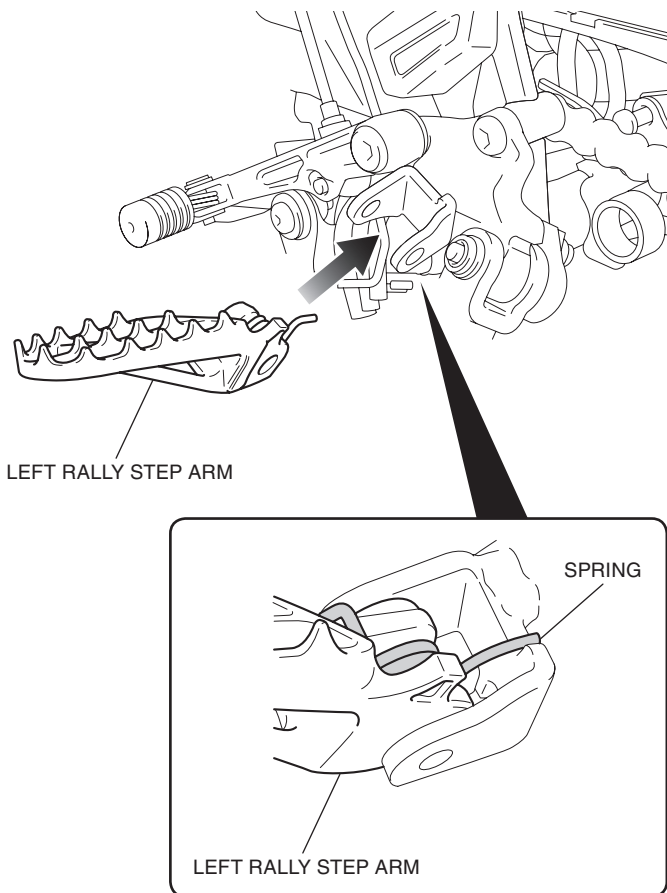
- Install the spring as shown.



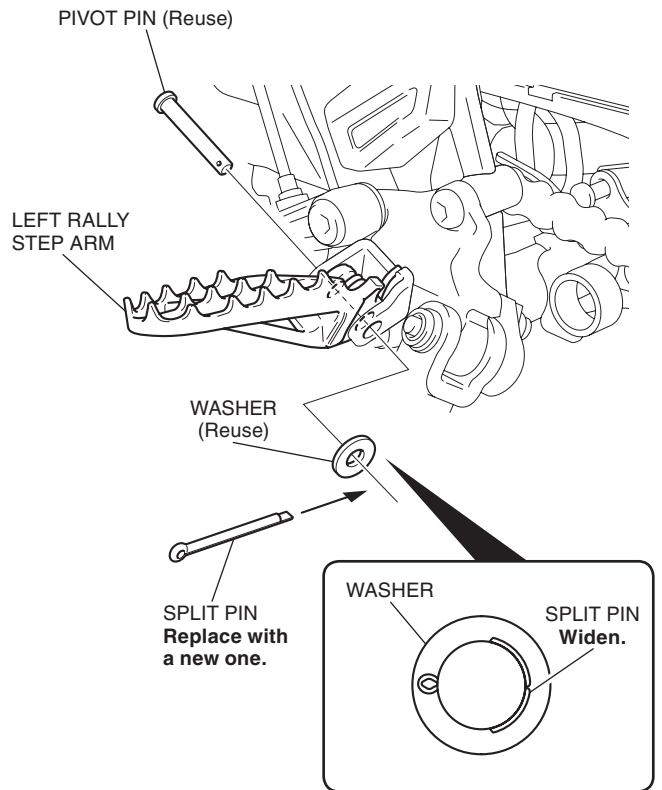
5. Apply grease to the pivot pin as shown.



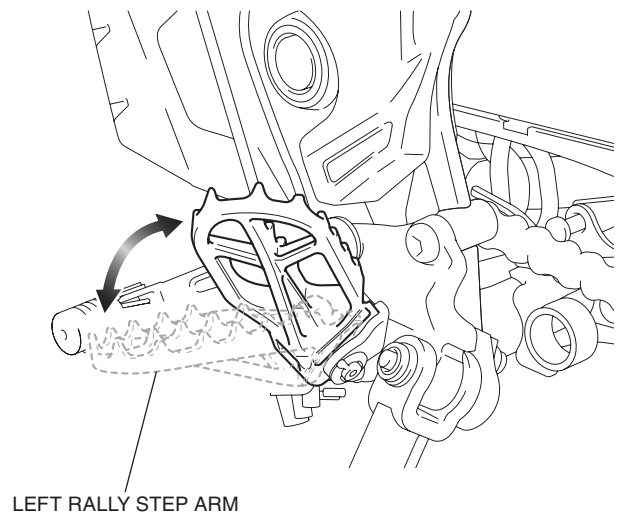
6. Install the left rally step arm as shown.
<Left side>



7. Install the pivot pin and split pin as shown.



8. Check that the left rally step arm operates smoothly.



9. Install the right rally step arm in the same manner as the left side.