



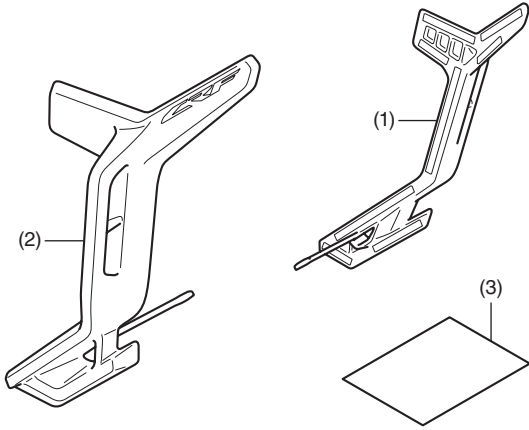
INSTALLATION INSTRUCTIONS

Accessory	Application
DEFLECTOR P/N 08R72-MKS-E00	CRF1100A/D

Publication No.
MII
Issue Date
September 2019

Honda Dealer: Please give a copy of these instructions to your customer.

PARTS LIST



No.	Description	Qty
(1)	Right deflector	1
(2)	Left deflector	1
(3)	URL paper	1

SUPPLIES REQUIRED

- Isopropyl alcohol
- Shop towel

INSTALLATION

▲ CAUTION

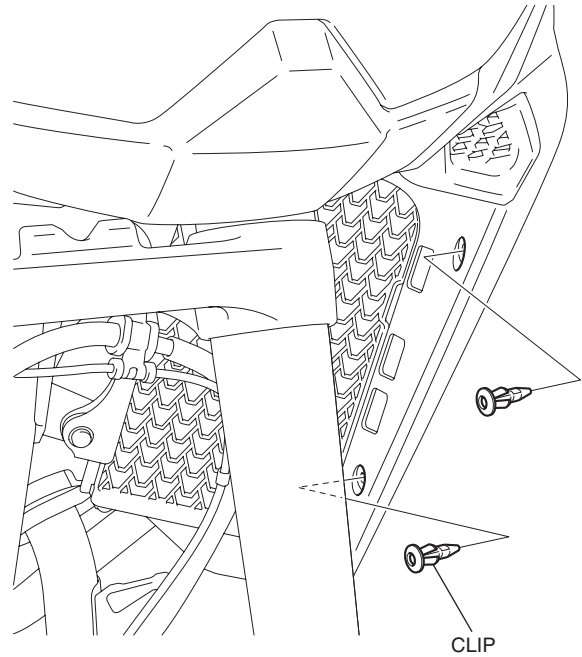
- To prevent burns, allow the engine, exhaust system, radiator, etc., to cool before installing the accessory.

NOTE:

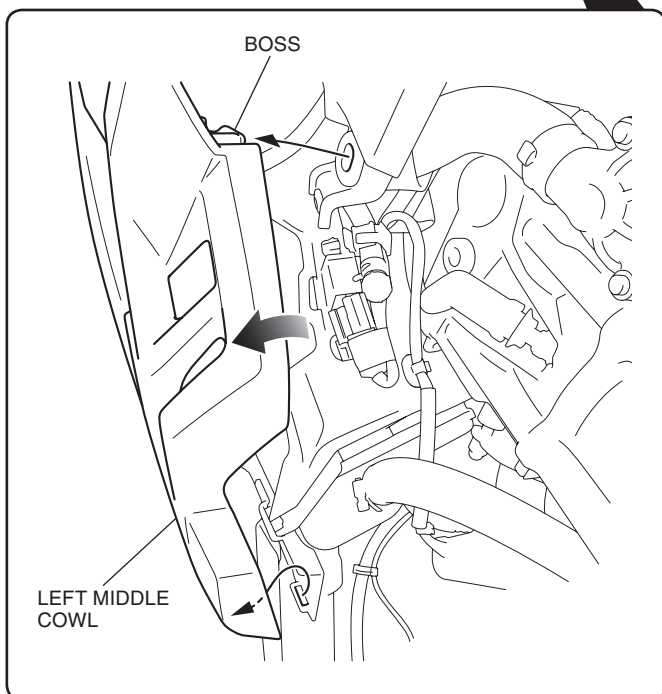
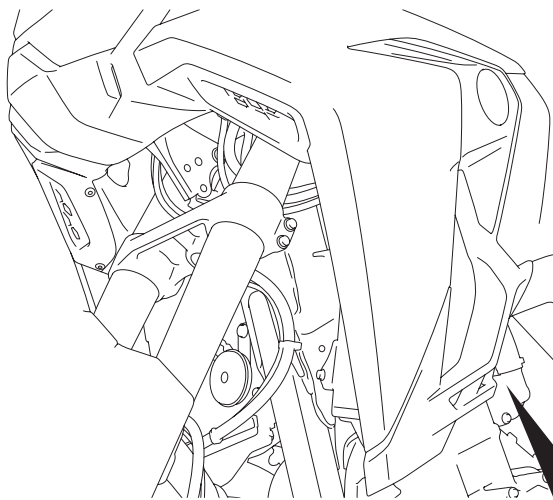
- Heat the bonding surfaces with a hair dryer if the ambient air temperature is below 70°F (21°C).
- The adhesive reaches full strength in 72 hours. Wait at least 24 hours before riding your motorcycle.

- Remove the clips as shown.
 - Repeat on the right side.

<Left side>

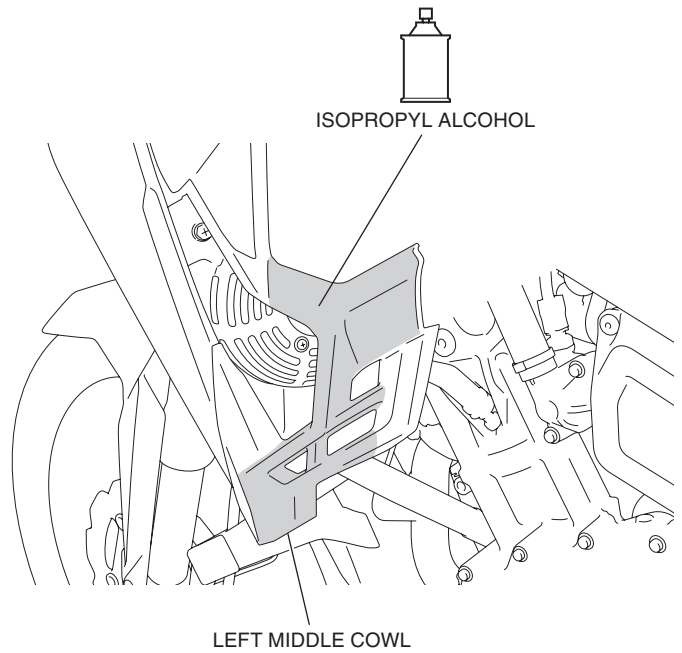


2. Remove the boss of the left middle cowl as shown.
<Left side>

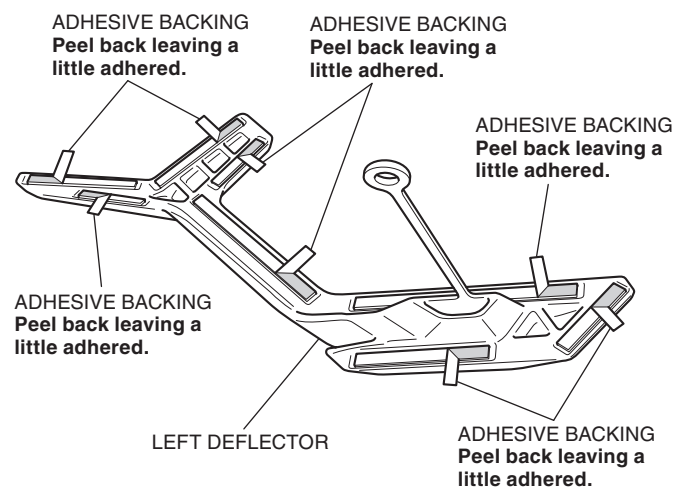


3. Clean the surface of the area shown using an isopropyl alcohol.

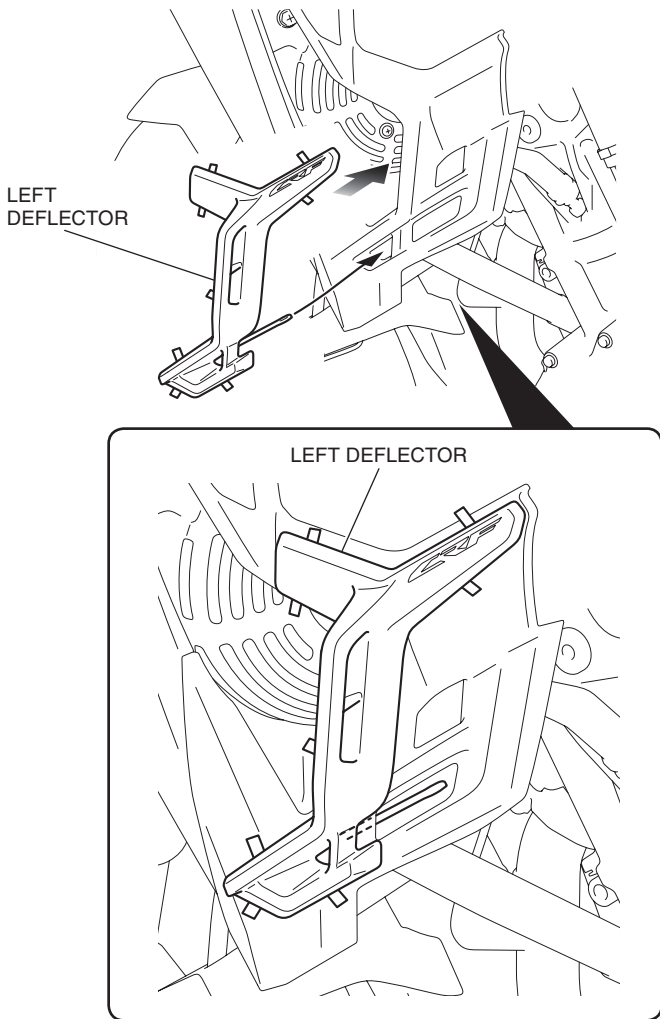
<Left side>



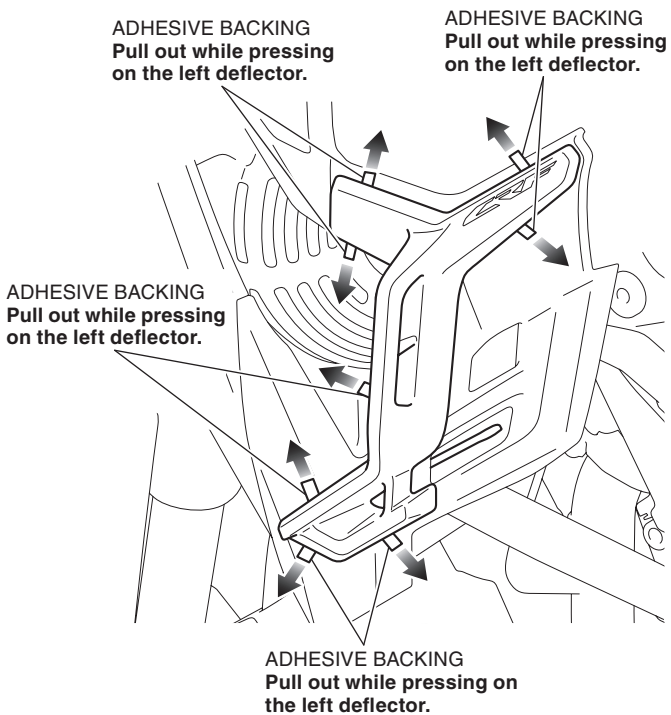
4. Peel off the adhesive backing on the left deflector as shown.



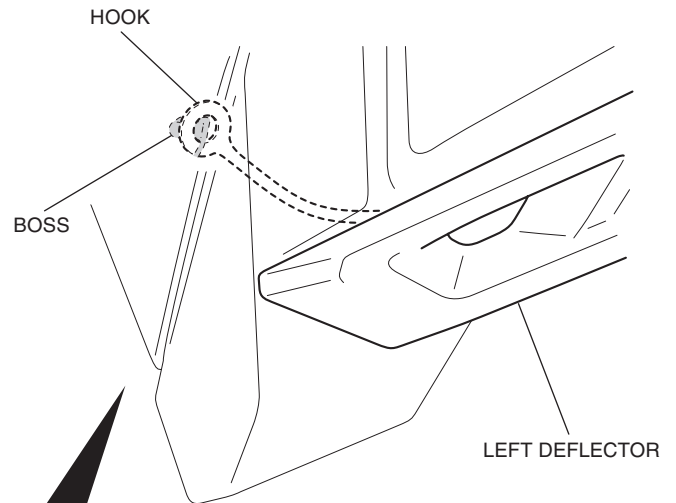
5. Attach the left deflector as shown.
 - **Align the left deflector with the shape of the left middle cowl.**



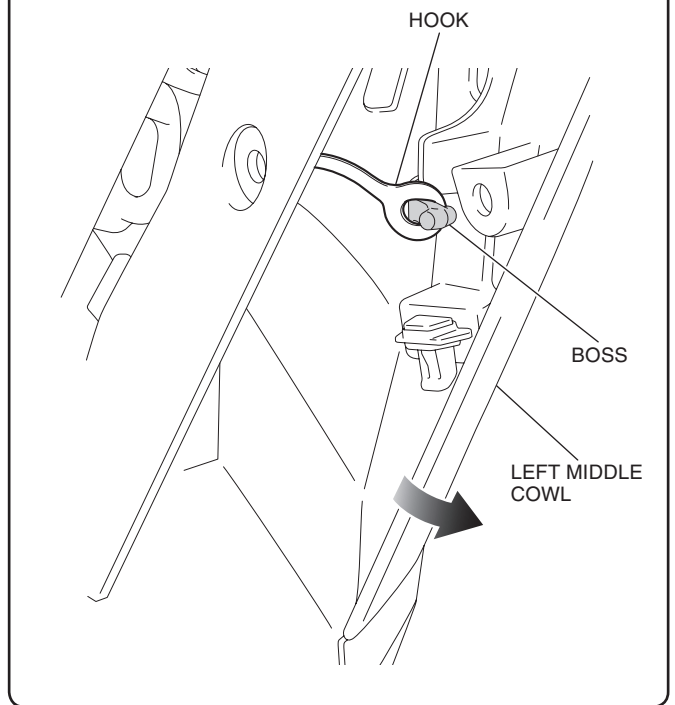
6. Remove the adhesive backing as shown.



7. Apply adequate pressure to the attached left deflector.
8. Hook the hook of the left deflector on the boss as shown.



Install the hook of the left deflector to the boss while expanding the left middle cowl to the outside.



9. Install the left middle cowl in the reverse order of removal.
10. Install the right deflector in the same manner as the left side.