



INSTALLATION INSTRUCTIONS

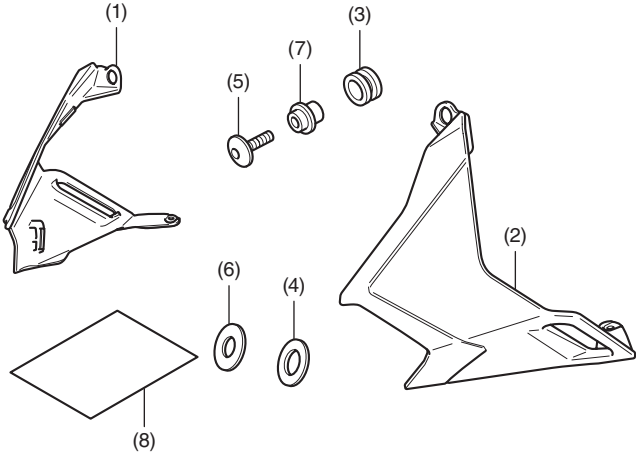
Accessory
VISOR
P/N 08R78-MKS-E00

Application
CRF1100A/D

Publication No.
MII
Issue Date
August 2019

Honda Dealer: Please give a copy of these instructions to your customer.

PARTS LIST



No.	Description	Qty
(1)	Right visor	1
(2)	Left visor	1
(3)	Rubber	2
(4)	Rubber washer	2
(5)	5 mm screw	2
(6)	Washer	4
(7)	Collar	2
(8)	URL paper	1

TOOLS AND SUPPLIES REQUIRED

- Hex wrench (5 mm)
- Isopropyl alcohol
- Shop towel
- Torque wrench

TORQUE CHART

Tighten all screws, bolts, and nuts to their specified torque values. Refer to the Service Manual for the torque values of the removed parts.

Item	N-m	kgf-m	lbf-ft
5 mm screw	4.2	0.5	3.8

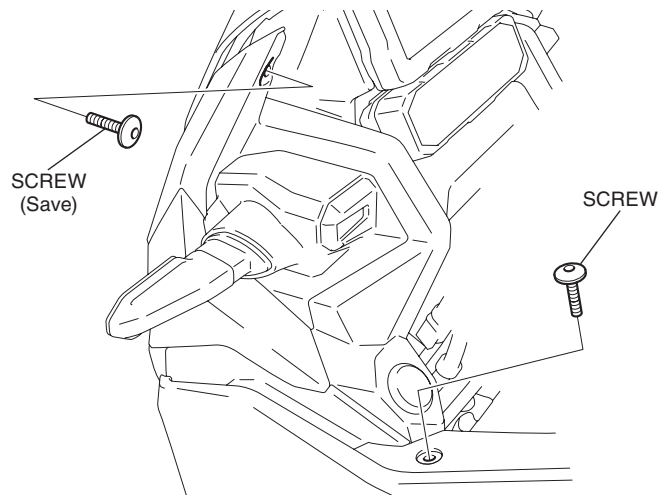
INSTALLATION

NOTE:

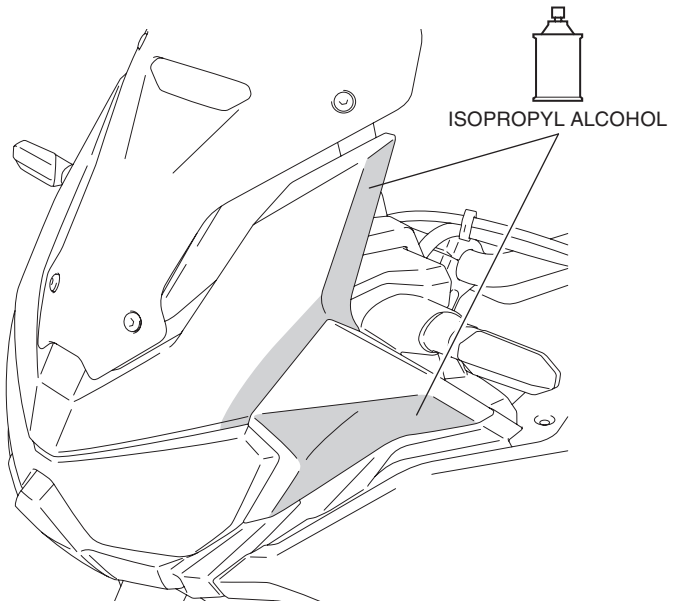
- Heat the bonding surfaces with a hair dryer if the ambient air temperature is below 70°F (21°C).
- The adhesive reaches full strength in 72 hours. Wait at least 24 hours before riding your motorcycle.

1. Remove the screws as shown.

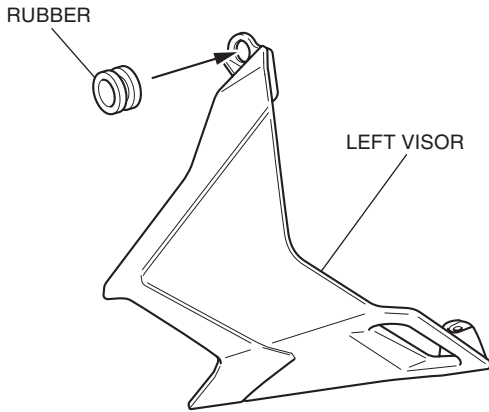
<Left side>



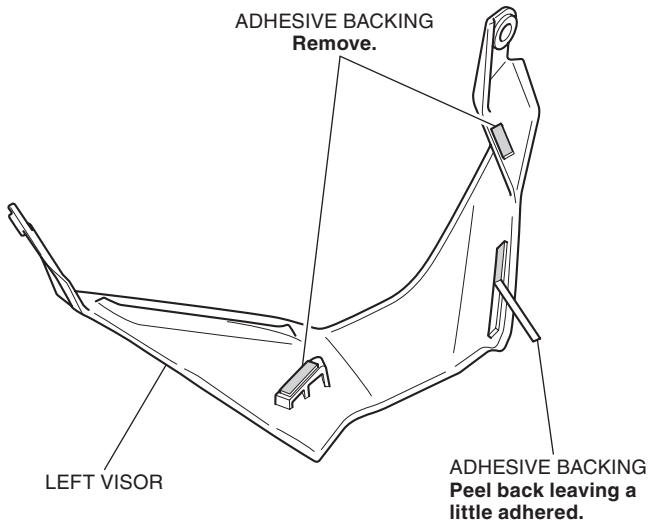
2. Clean the surface of the area shown using an isopropyl alcohol.



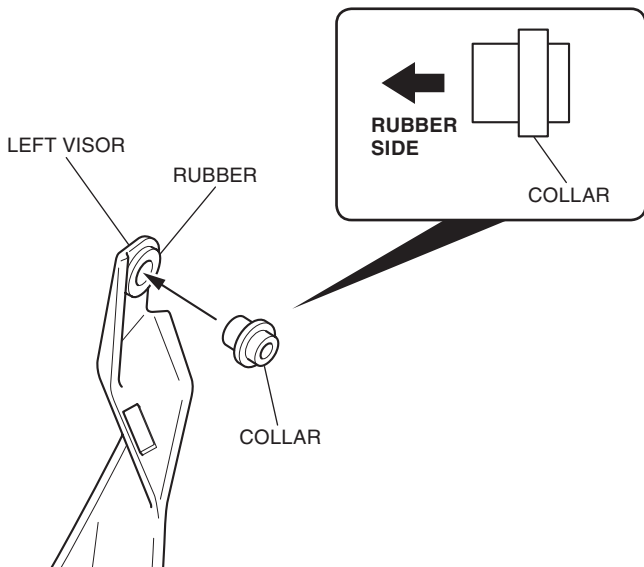
3. Install the rubber as shown.



4. Peel off the adhesive backing on the left visor as shown.

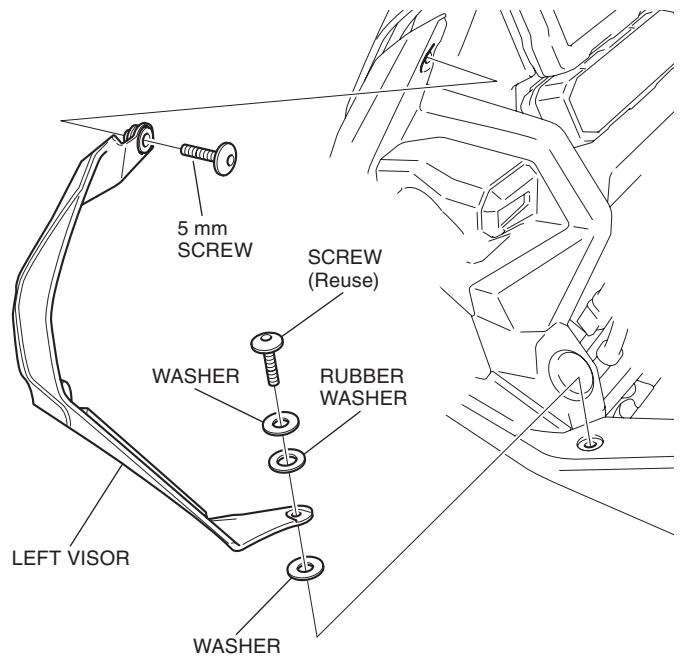


5. Install the collar as shown.



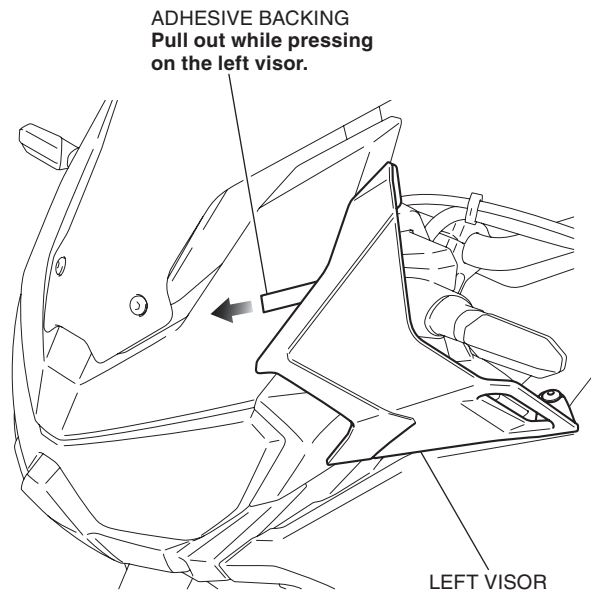
6. Install the left visor as shown.

<Left side>



7. Remove the adhesive backing as shown.

<Left side>



8. Apply adequate pressure to the attached left visor.

9. Install the right visor in the same manner as the left side.