



INSTALLATION INSTRUCTIONS

Accessory

ENGINE GUARD
P/N 08P71-MKS-E00

Application

CRF1100A/D

Publication No.

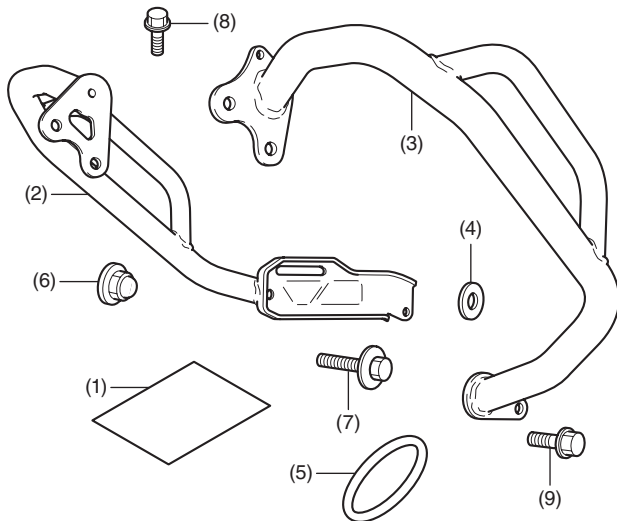
MII

Issue Date

September 2019

Honda Dealer: Please give a copy of these instructions to your customer.

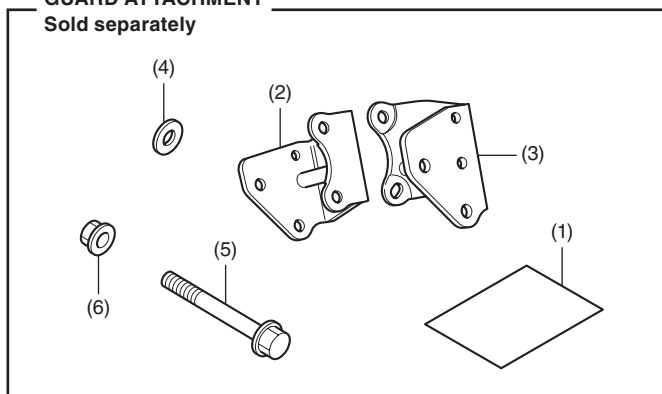
PARTS LIST



No.	Description	Qty
(1)	URL paper	1
(2)	Right engine guard	1
(3)	Left engine guard	1
(4)	Spacer	1
(5)	Gasket	2
(6)	8 mm flange cap nut	4
(7)	8 mm bolt	1
(8)	6 mm flange bolt	2
(9)	8 mm SH flange bolt	5

GUARD ATTACHMENT

Sold separately



No.	Description	Qty
(1)	URL paper	1
(2)	Right guard bracket	1
(3)	Left guard bracket	1
(4)	Spacer	2
(5)	8 mm flange bolt	2
(6)	8 mm flange nut	2

TOOLS AND SUPPLY REQUIRED

- Socket (10 and 12 mm)
- Ratchet
- Box-end wrench (10 and 12 mm)
- Shop towel
- Torque wrench

TORQUE CHART

Tighten all screws, bolts, and nuts to their specified torque values. Refer to the Service Manual for the torque values of the removed parts.

Item	N·m	kgf·m	lbf·ft
6 mm flange bolt	12	1.2	9
8 mm SH flange bolt	22	2.2	16
8 mm flange cap nut	27	2.8	20
8 mm flange nut	32	3.3	24

INSTALLATION

CAUTION

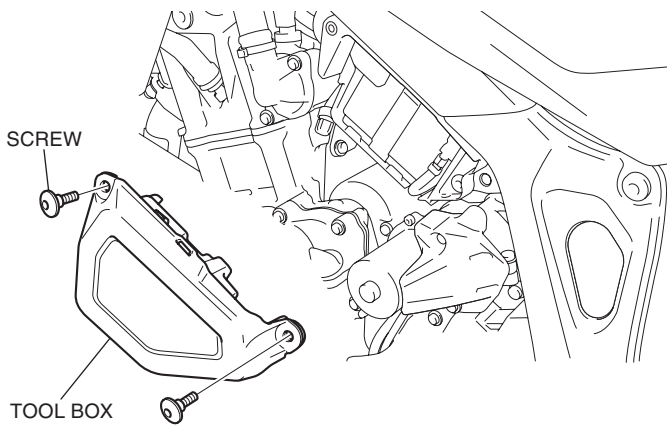
- To prevent burns, allow the engine, exhaust system, radiator, etc., to cool before installing the accessory.

NOTE:

- Refer to this manual and the each Installation Instructions when the motorcycle is equipped with the DCT pedal shift and Front side pipe.
- Disconnect the negative (-) cable from the battery before installing this accessory.
- The memories of the clock will be erased when you disconnect the battery. Reset the memories after reconnecting the battery.
- Reinstall the removed parts on the motorcycle and make sure that the wires and harnesses are not pinched.
- Although the illustration is of CRF1100D, use the same procedures for other models.

1. Remove the tool box and disconnect the negative (-) cable of the battery.

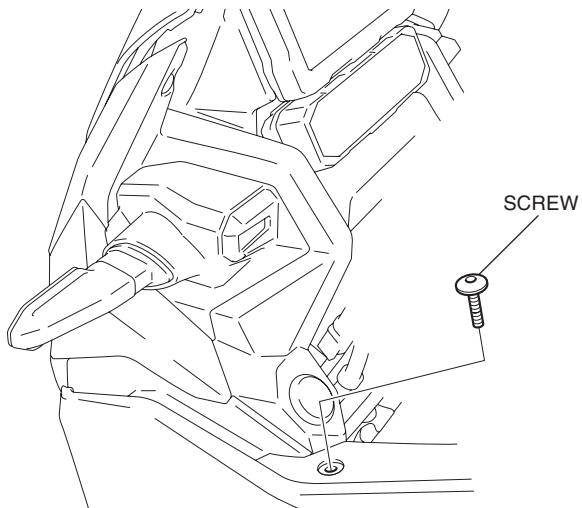
<Left side>



2. Remove the screw as shown.

- Repeat on the right side.

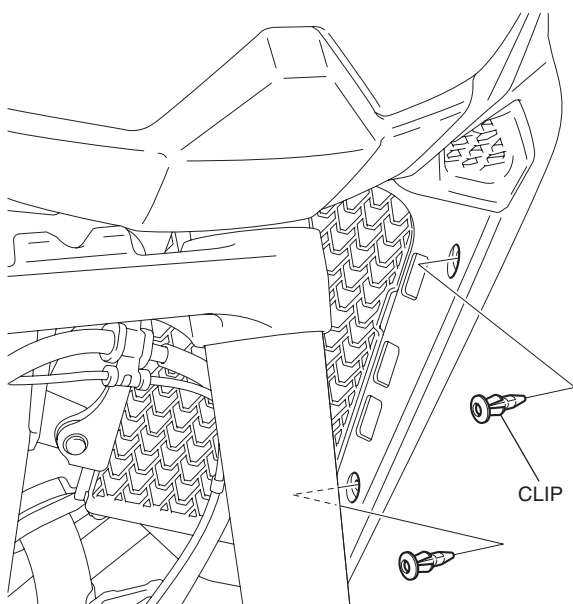
<Left side>



3. Remove the clips as shown.

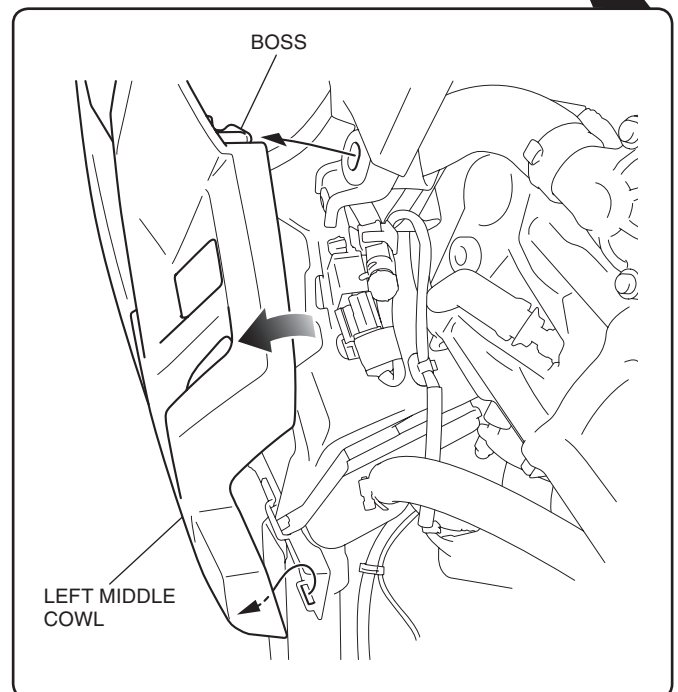
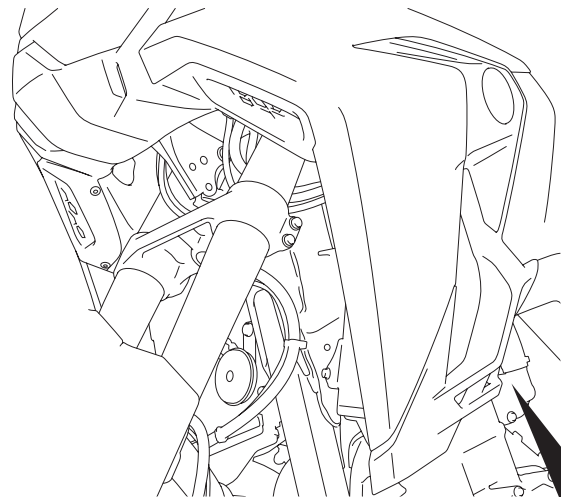
- Repeat on the right side.

<Left side>

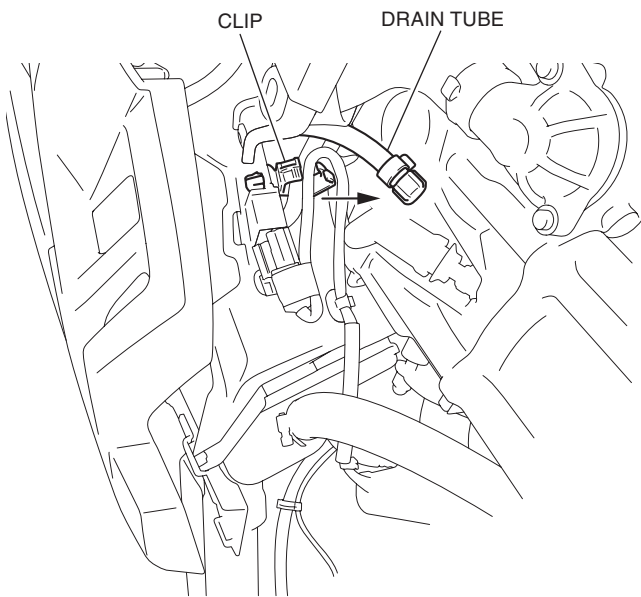


4. Remove the boss of the left middle cowl as shown.

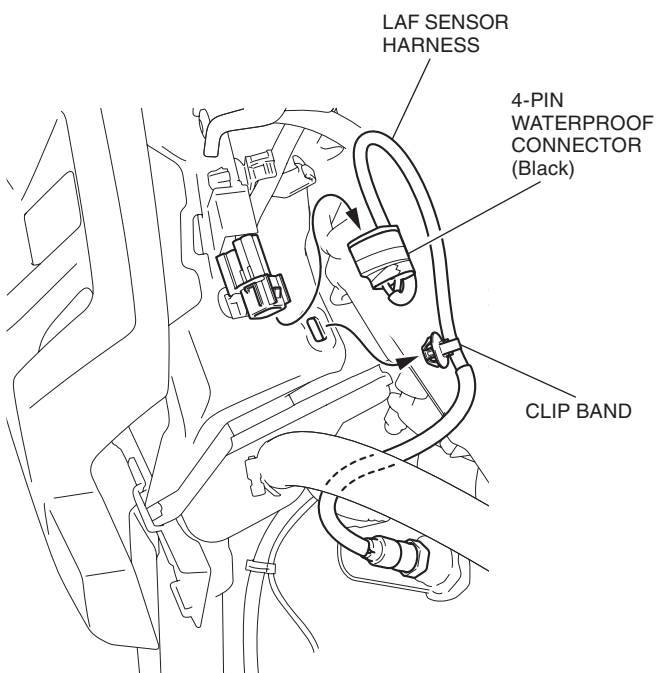
<Left side>



5. Remove the drain tube as shown.
 <Left side>

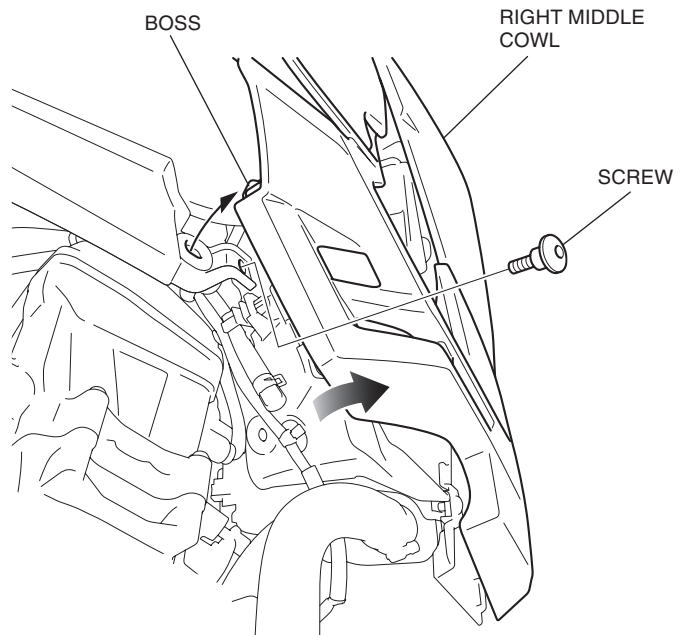


6. Remove the harness as shown.



7. Remove the boss of the right middle cowl, and remove the screw as shown.

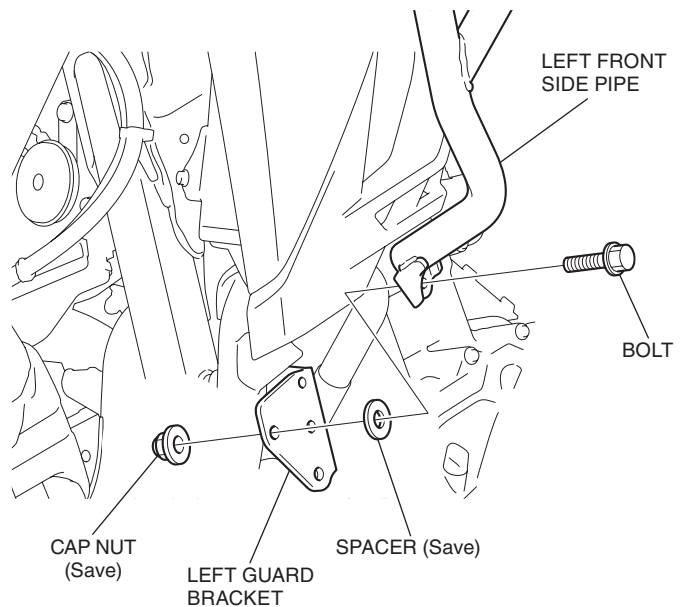
<Right side>



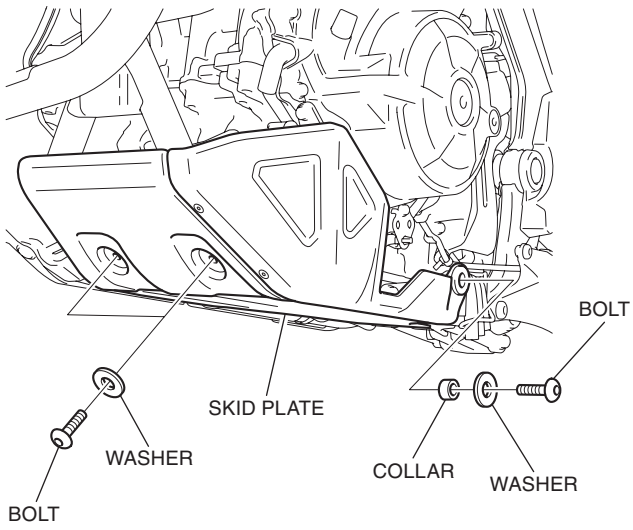
8. Remove the drain tube and LAF sensor harness in the same manner as the left side.

9. Remove the parts as shown

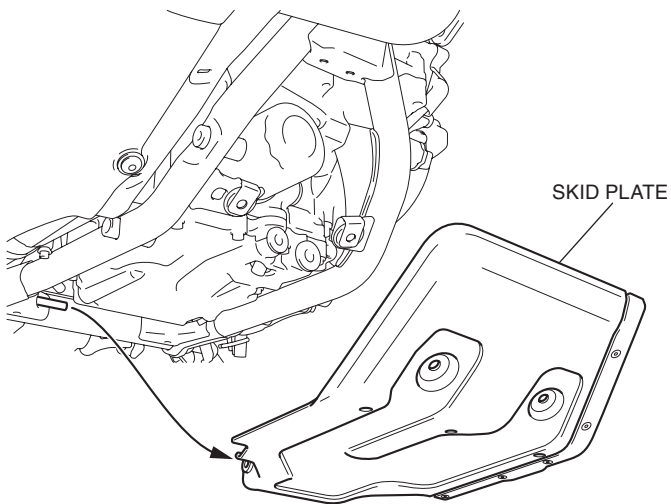
- Perform this step for the motorcycle equipped with the front side pipe.
- Repeat on the right side.



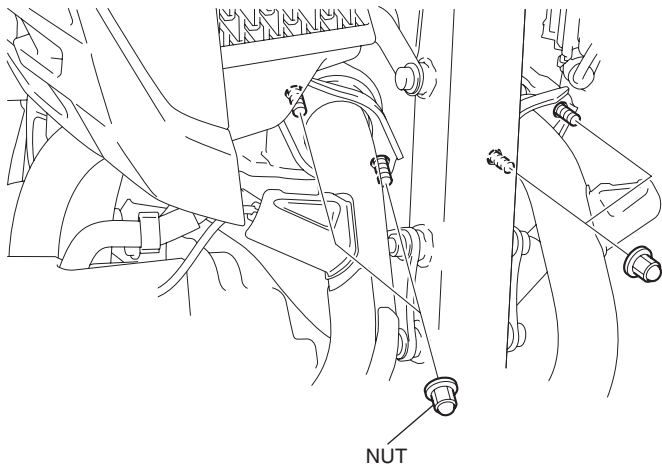
10. Remove the parts as shown.
<Left side>



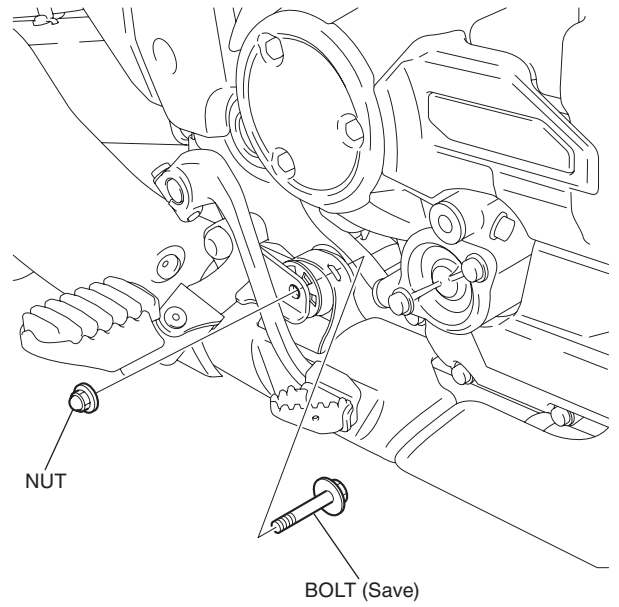
11. Remove the skid plate as shown.
<Right side>



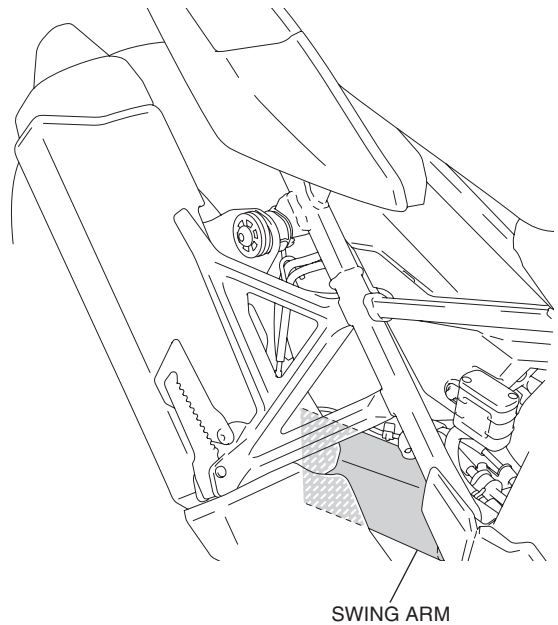
12. Remove the nuts as shown.



13. Remove the parts as shown.
<Right side>



14. Protect the swing arm with a shop towel or similar.

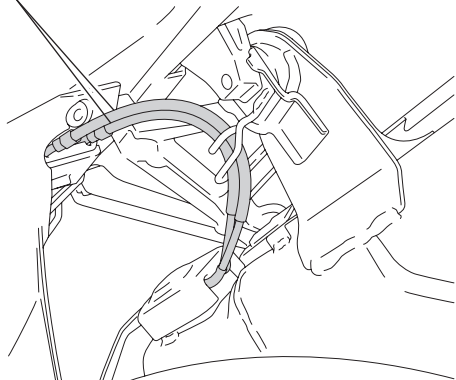


15. Remove the bolt, and then lower the muffler as shown.

- **Make sure that the one person keeps the lowered muffler, and the other installs the engine guard.**

Make sure that the cables is not burdened when the muffler is lowered.

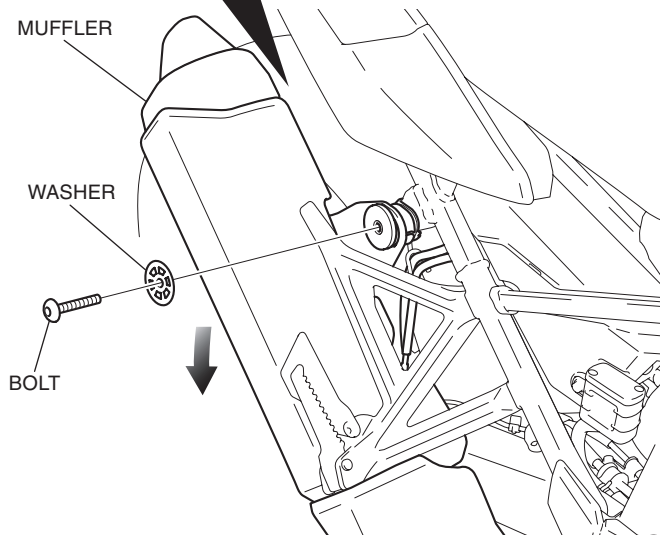
CABLE



MUFFLER

WASHER

BOLT

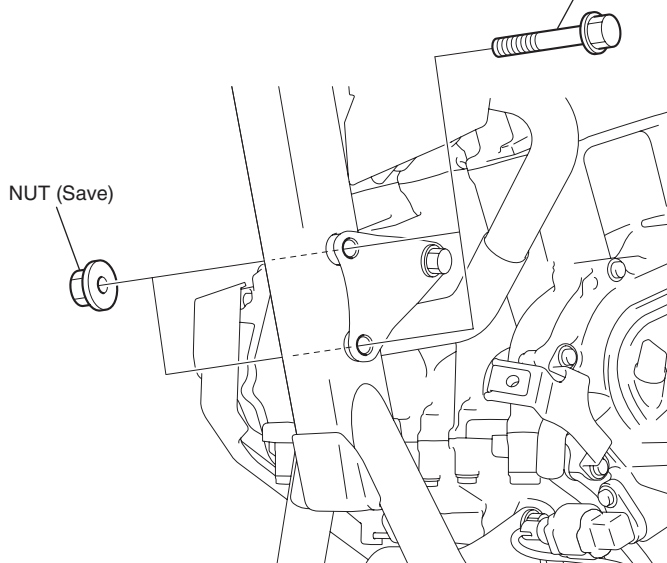


16. Remove the parts as shown.

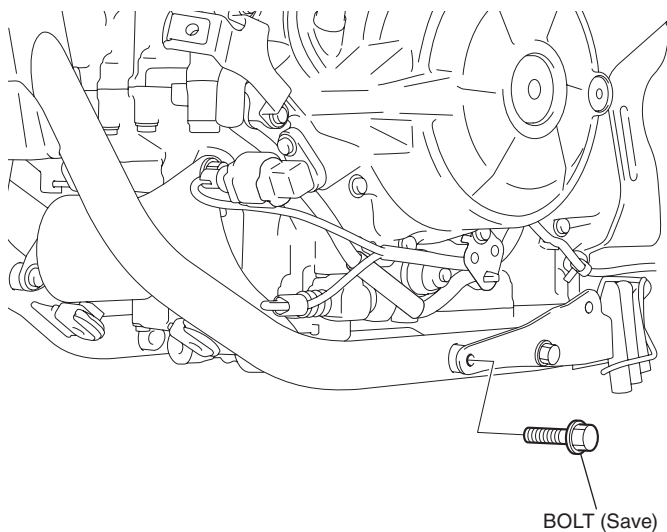
<Left side>

BOLT (Save)

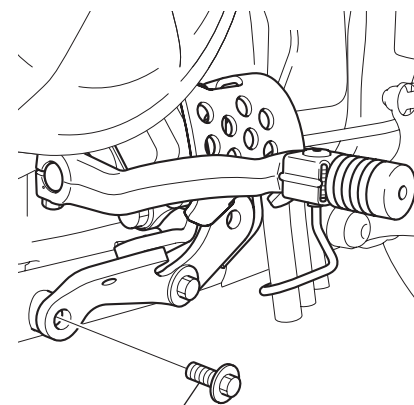
NUT (Save)



17. Remove the bolt as shown.

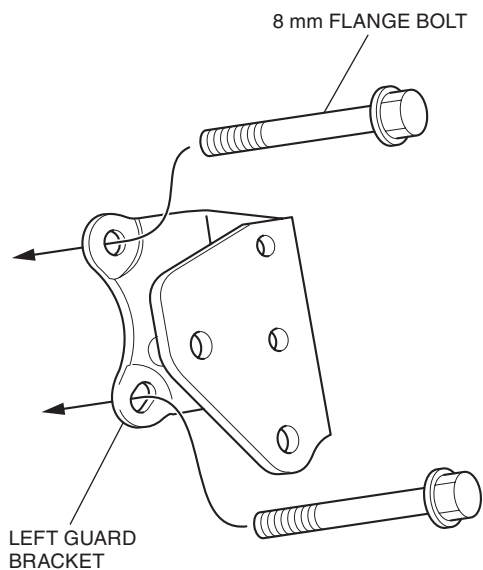


When installing the DCT pedal shift



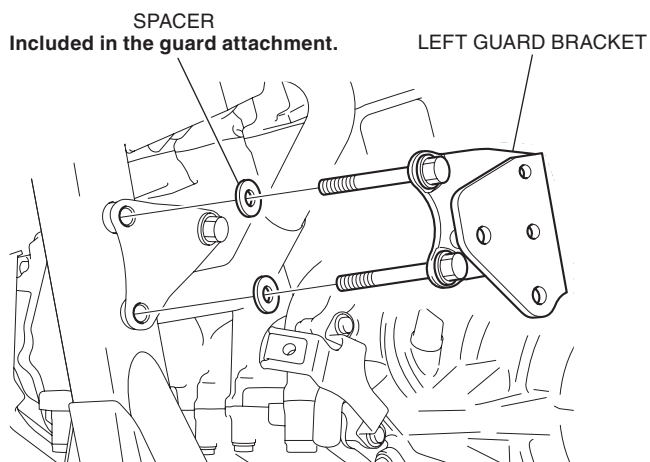
BOLT (Save)

18. Insert the bolts as shown.



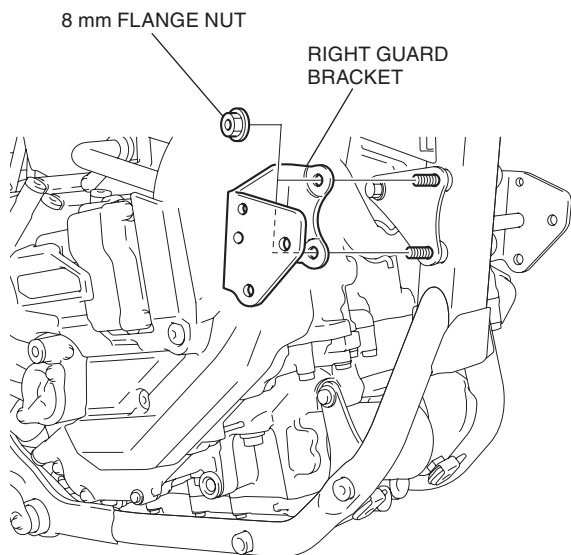
19. Install the left guard bracket as shown.

<Left side>



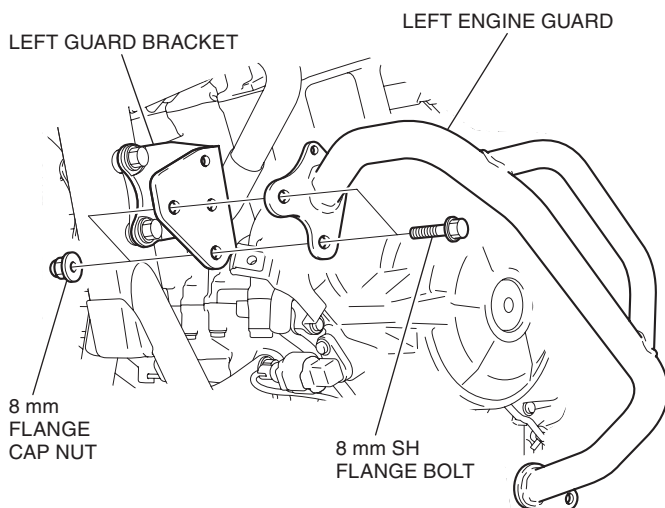
20. Loosely install the right guard bracket as shown.

<Right side>

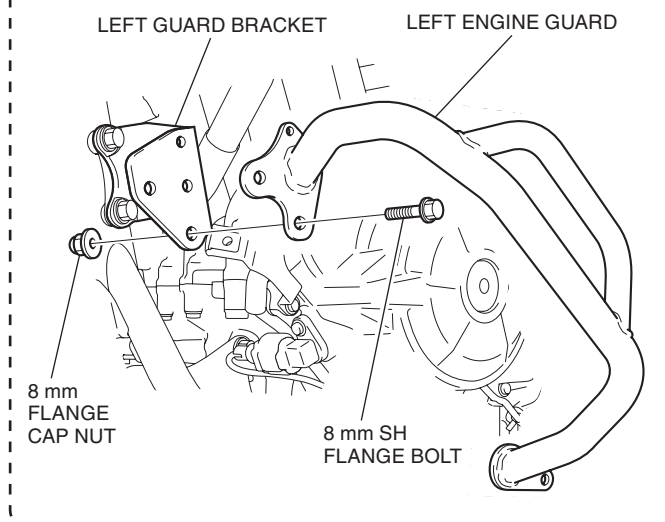


21. Loosely install the left engine guard as shown.

<Left side>

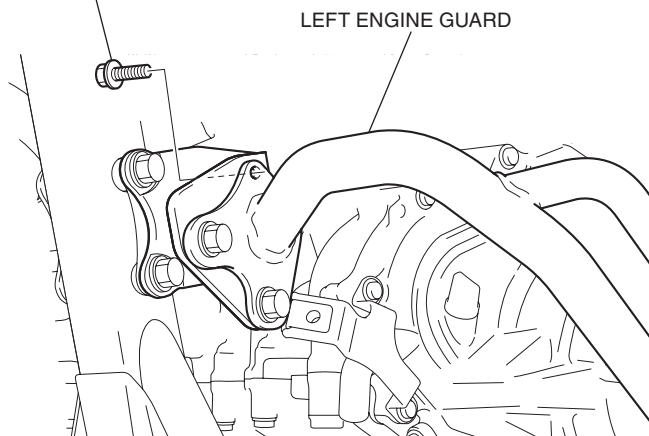


When installing the Front side pipe

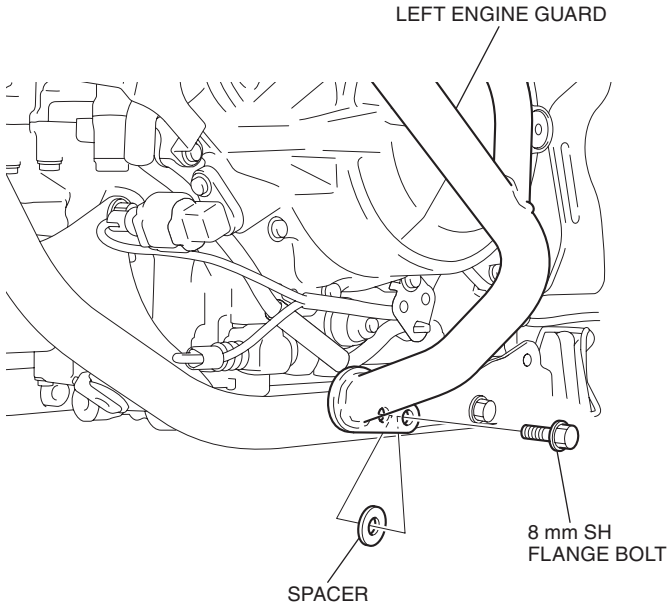


22. Loosely install the 6 mm flange bolt as shown.

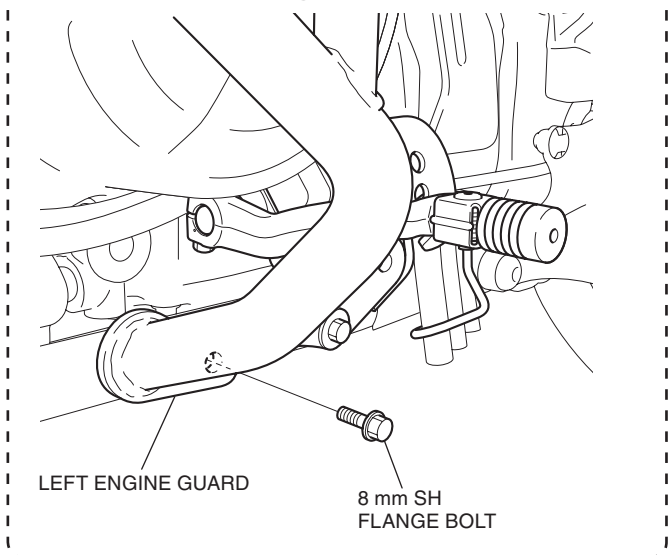
6 mm FLANGE BOLT



23. Loosely install the left engine guard as shown.

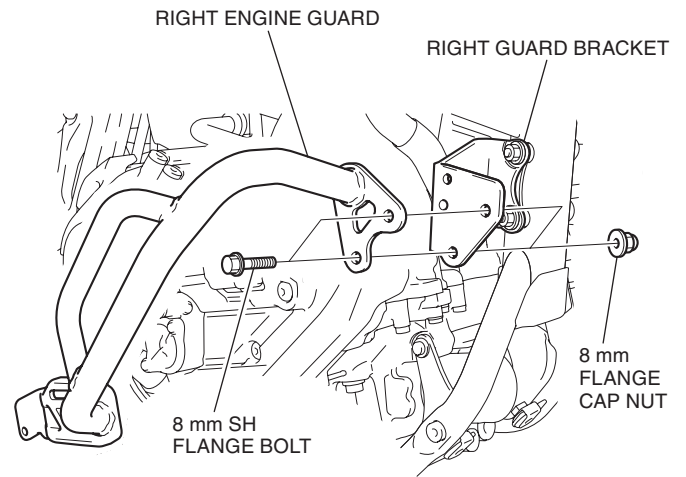


When installing the DCT pedal shift

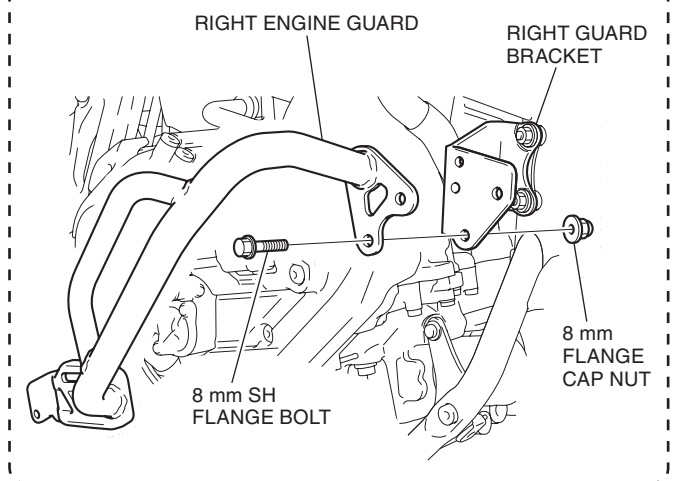


24. Loosely install the right engine guard as shown.

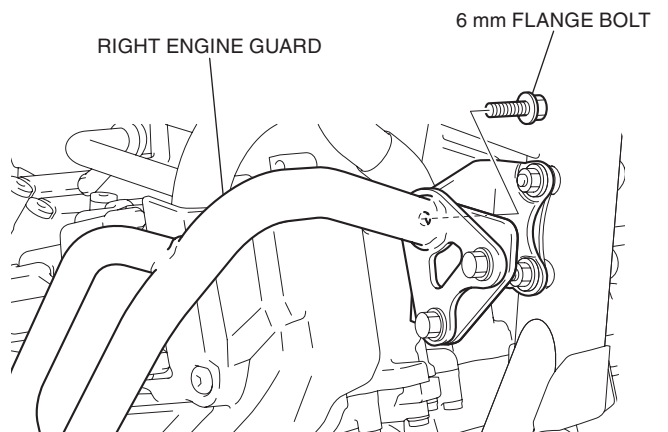
<Right side>



When installing the Front side pipe



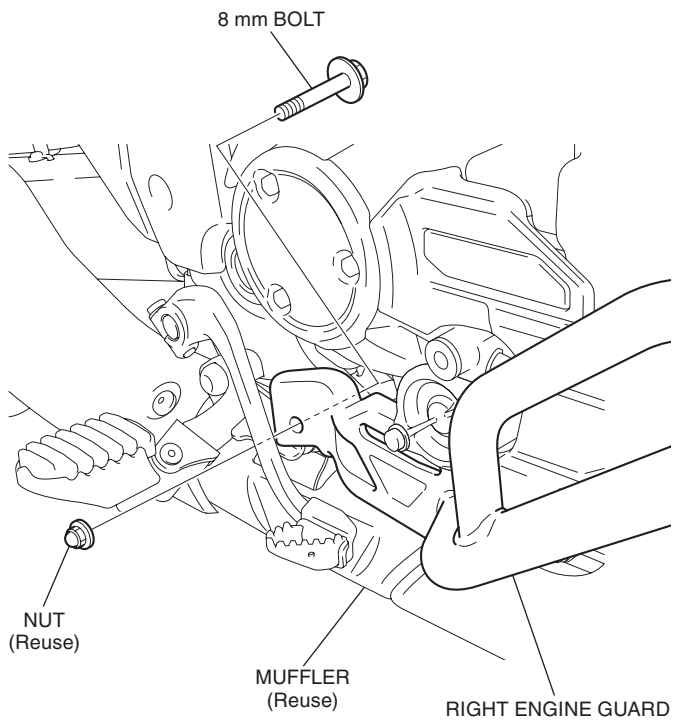
25. Loosely install the 6 mm flange bolt as shown.



26. Install the muffler in the reverse order of removal.

- **Always replace by a new gasket.**

<Right side>



27. Tighten all loosely installed parts securely.

28. Install the motorcycle's parts in the reverse order of removal.

- **Confirm that any wire harness is not caught or too tight.**