



INSTALLATION INSTRUCTIONS

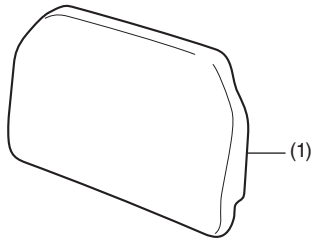
Accessory	Application	Publication No.
BACKREST P/N 08F00-MJP-G50	CRF1100A/A2/A4/D/D2/D4	MII
		Issue Date
		September 2019

Accessory	Application	Publication No.
BACKREST P/N 08F00-MJP-G50	CRF1100A/A2/A4/D/D2/D4	MII
		Issue Date
		September 2019

Accessory	Application	Publication No.
BACKREST P/N 08F00-MJP-G50	CRF1100A/A2/A4/D/D2/D4	MII
		Issue Date
		September 2019

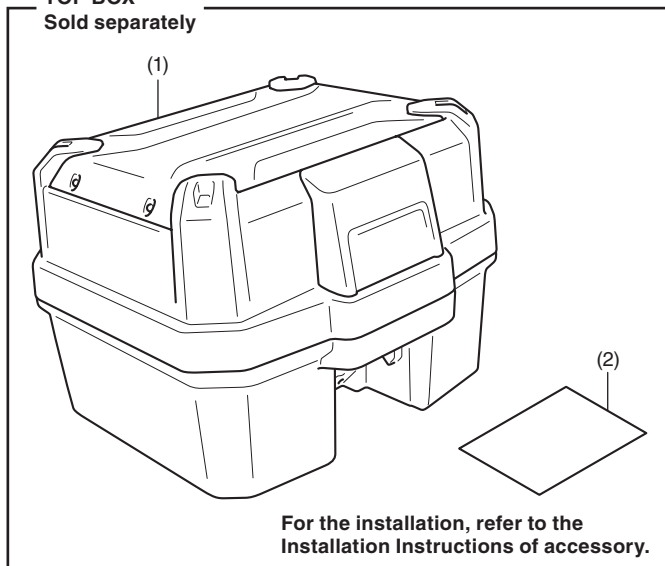
Honda Dealer: Please give a copy of these instructions to your customer.

PARTS LIST



No.	Description	Qty
(1)	Backrest	1

TOP BOX Sold separately



No.	Description	Qty
(1)	Top box	1
(2)	URL paper	1

SUPPLIES REQUIRED

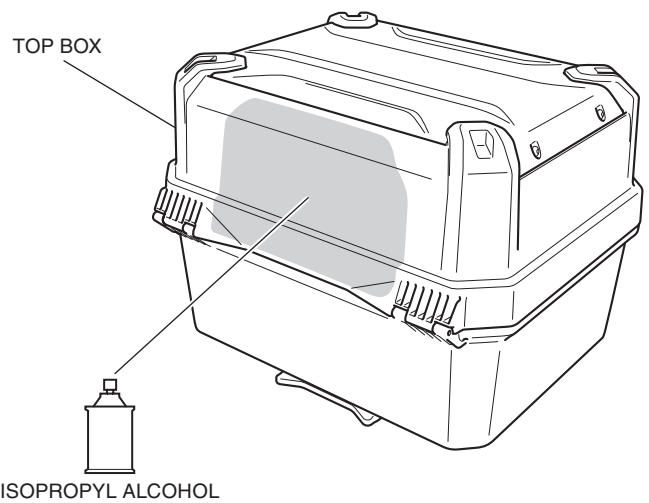
- Isopropyl alcohol
- Shop towel

INSTALLATION

NOTE:

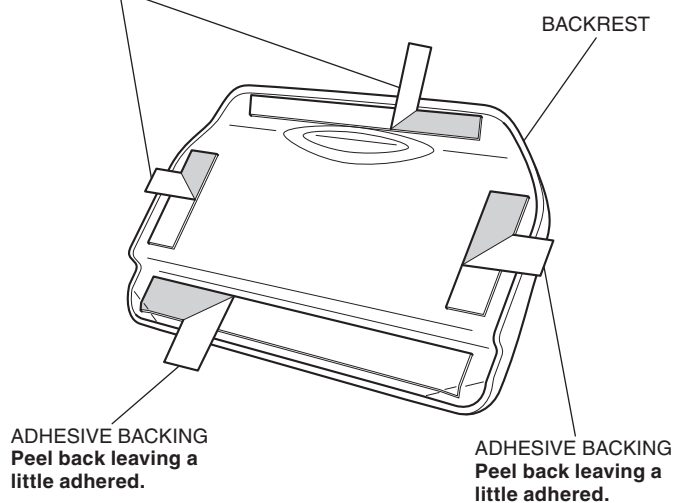
- Heat the bonding surfaces with a hair dryer if the ambient air temperature is below 70°F (21°C).
- The adhesive reaches full strength in 72 hours. Wait at least 24 hours before riding your motorcycle.

- Clean the surface of the area shown using an isopropyl alcohol.

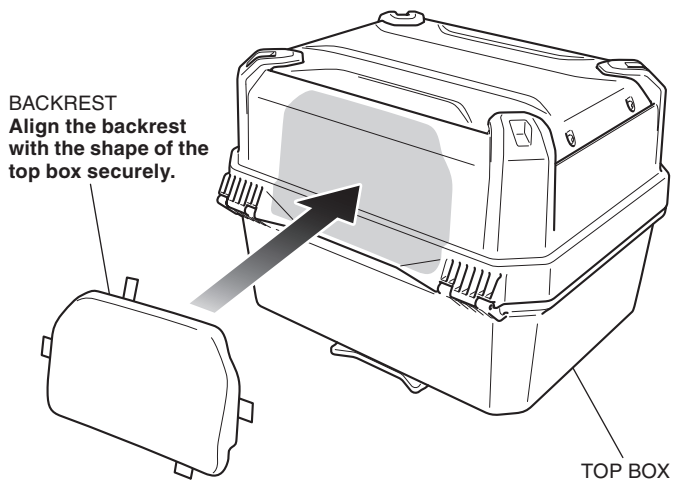


- Peel the end of the adhesive backings a little that are attached to the inner side of the backrest.

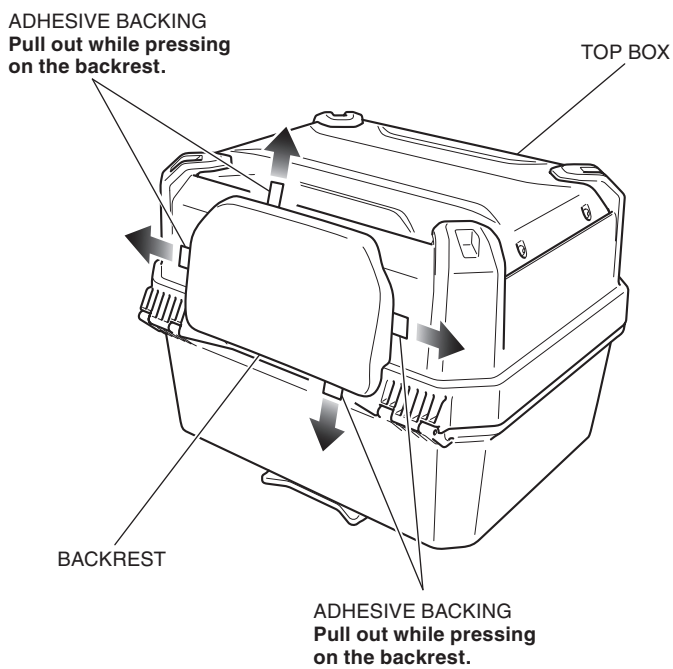
ADHESIVE BACKING Peel back leaving a little adhered.



3. Attach the backrest as shown.



4. Pressing the backrest with your palm, remove the adhesive backings from the inner side of the backrest and attach the backrest securely.



5. Apply adequate pressure to the attached backrest.