



# INSTALLATION INSTRUCTIONS

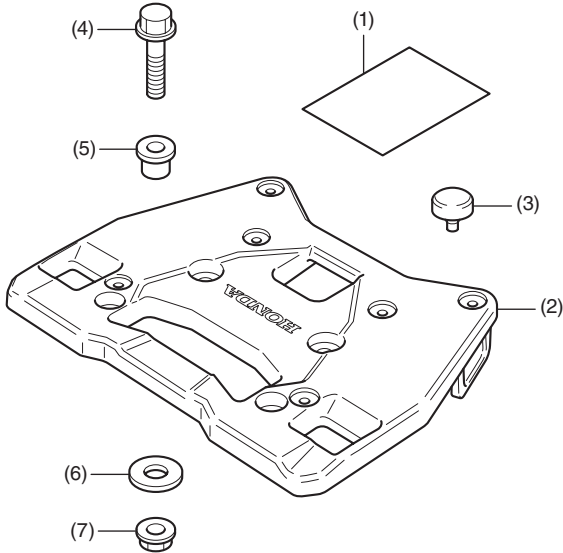
Accessory  
**CARRIER BRACKET**  
 P/N 08L78-MKS-E00

Application  
**CRF1100A/A2/A4/D/D2/D4**

Publication No.  
**MII**  
 Issue Date  
**September 2019**

**Honda Dealer: Please give a copy of these instructions to your customer.**

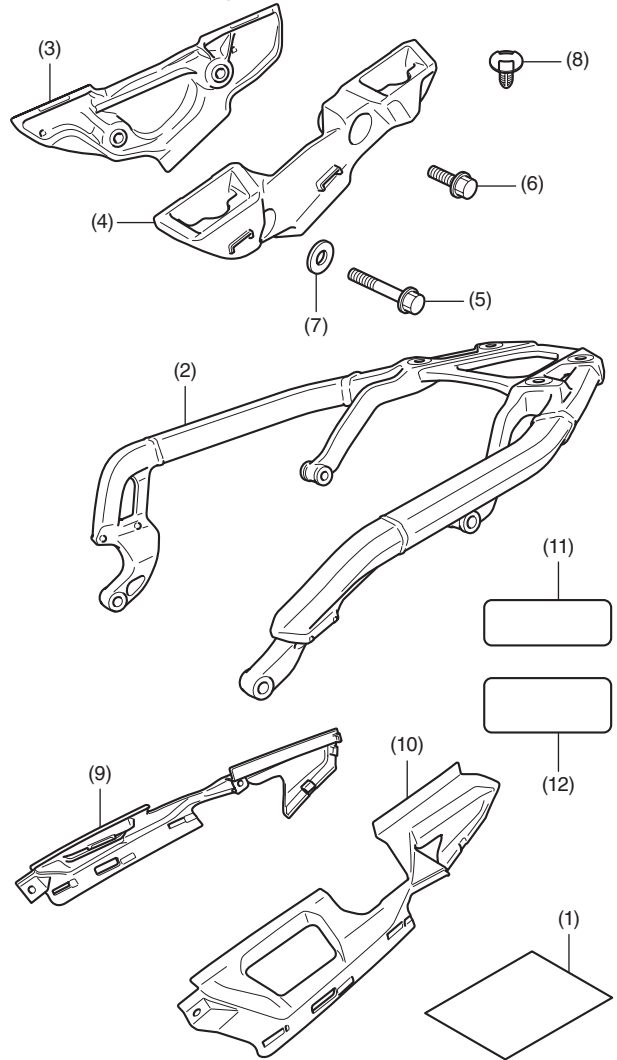
## PARTS LIST



No.	Description	Qty
(1)	URL paper	1
(2)	Carrier base	1
(3)	Rubber	6
(4)	8 mm flange bolt	4
(5)	Flange collar	4
(6)	Washer	4
(7)	8 mm flange nut	4

## BOX ATTACHMENT

Sold separately  
 <CRF1100A/D only>



**For the installation, refer to the Installation Instructions of accessory.**

No.	Description	Qty
(1)	URL paper	1
(2)	Rear carrier	1
(3)	Right pannier bracket	1
(4)	Left pannier bracket	1
(5)	8 mm flange bolt	4
(6)	8 mm bolt	2
(7)	Washer	4
(8)	Clip	4
(9)	Right pannier bracket cover	1
(10)	Left pannier bracket cover	1
(11)	Label (MKK-D00)	1
(12)	Label (MFG-900)	1

## TOOLS REQUIRED

Socket (12 mm)  
Ratchet  
Box-end wrench (12 mm)  
Torque wrench

## TORQUE CHART

Tighten all screws, bolts, and nuts to their specified torque values. Refer to the Service Manual for the torque values of the removed parts.

Item	N·m	kgf·m	lbf·ft
8 mm flange nut	27	2.8	20

## MAXIMUM LOADING CAPACITY

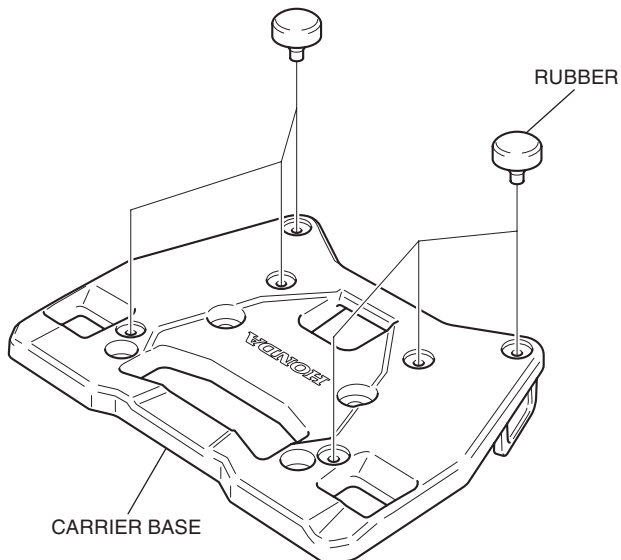
- The weight of the cargo must not exceed the following maximum loading capacity:

Maximum Loading Capacity	
Top box	6.0 kg (13.2 lb)

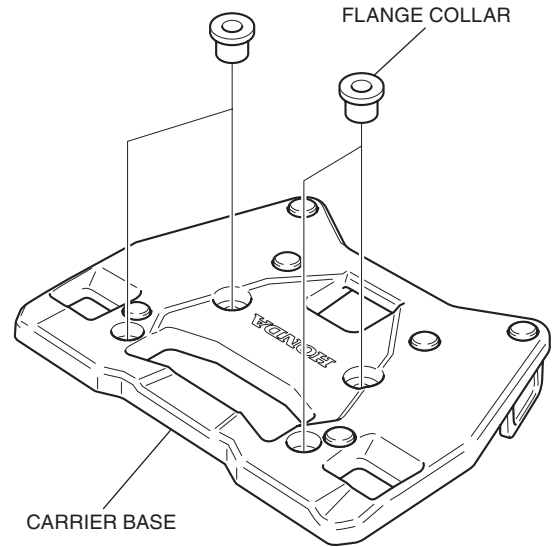
## INSTALLATION

### ▲ CAUTION

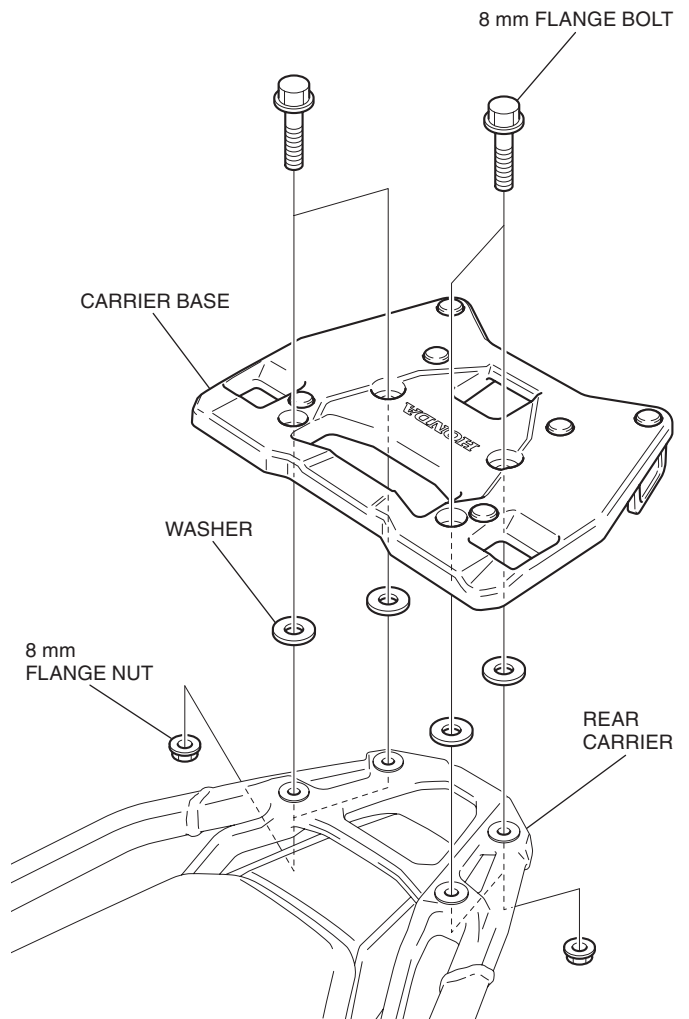
- To prevent burns, allow the engine, exhaust system, radiator, etc., to cool before installing the accessory.
- Install the box attachment (sold separately).
    - Perform this step CRF1100A/D only.**
  - Install the rubbers as shown.



- Install the flange collars as shown.



- Install the carrier base as shown.



- Refer to the Genuine Accessory User's Guide that comes together with the top box, and install the top box according to the instruction.