



INSTALLATION INSTRUCTIONS

Accessory

SIDE TANK PAD
P/N 08P71-K87-A30

Application

CMX300/A
CMX500/A

Publication No.

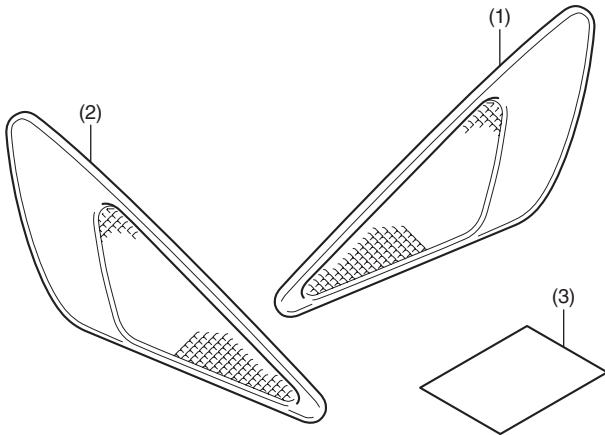
MII

Issue Date

December 2019

Honda Dealer: Please give a copy of these instructions to your customer.

PARTS LIST



No.	Description	Qty
(1)	Right side tank pad	1
(2)	Left side tank pad	1
(3)	URL paper	1

SUPPLIES REQUIRED

Isopropyl alcohol
Shop towel

INSTALLATION

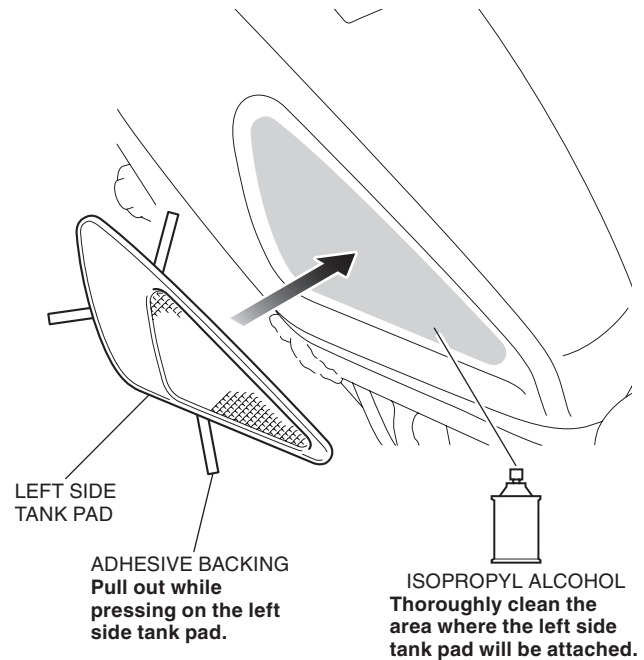
⚠ CAUTION

- To prevent burns, allow the engine, exhaust system, radiator, etc. to cool before installing the accessory.

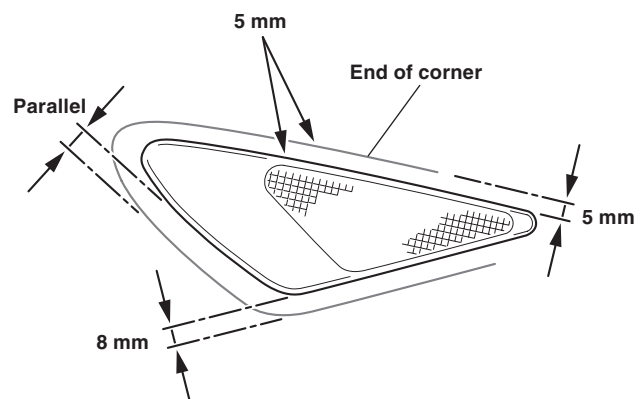
NOTE:

- Heat the bonding surfaces with a hair dryer if the ambient air temperature is below 21°C (70°F).
- The adhesive reaches full strength in 72 hours. Wait at least 24 hours before riding your motorcycle.

- Attach the left side tank pad as shown.
 - Peel back an end of the adhesive backings on the back of the left side tank pad.



Attach the left side tank pad in dimensions shown.



- Apply adequate pressure to the attached left side tank pad.
- Use Steps 1 through 2 to install the right side tank pad in the same manner.