



INSTALLATION INSTRUCTIONS

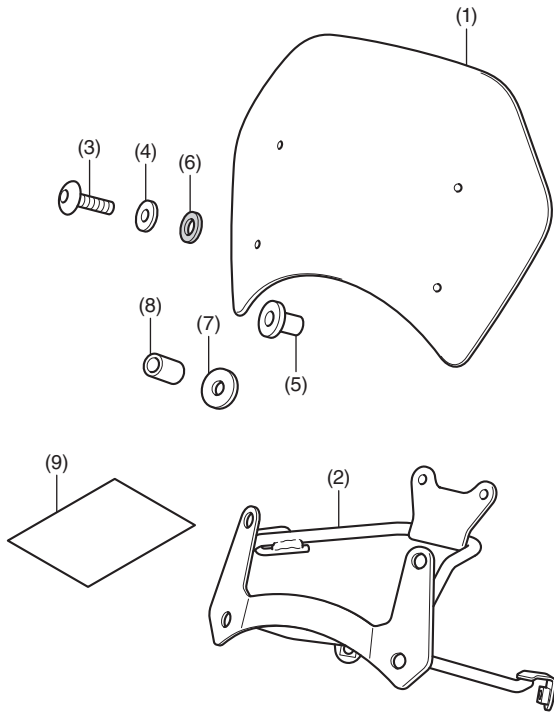
Accessory
METER VISOR
P/N 08R74-K87-A30

Application
CMX300/A
CMX500/A

Publication No.
MII
Issue Date
December 2019

Honda Dealer: Please give a copy of these instructions to your customer.

PARTS LIST



No.	Description	Qty
(1)	Meter visor	1
(2)	Meter visor stay	1
(3)	5 mm socket bolt	4
(4)	5 mm thrust washer	4
(5)	5 mm well nut	4
(6)	Rubber washer	4
(7)	Washer	2
(8)	Collar	2
(9)	URL paper	1

TOOLS REQUIRED

Hex wrench (5 mm)
Torque wrench

TORQUE INFORMATION

Tighten all screws, bolts, and nuts to their specified torque values. Refer to the Service Manual for the torque values of the removed parts.

Item	N·m	kgf·m	lbf·ft
5 mm socket bolt	1.0	0.1	0.7

INSTALLATION

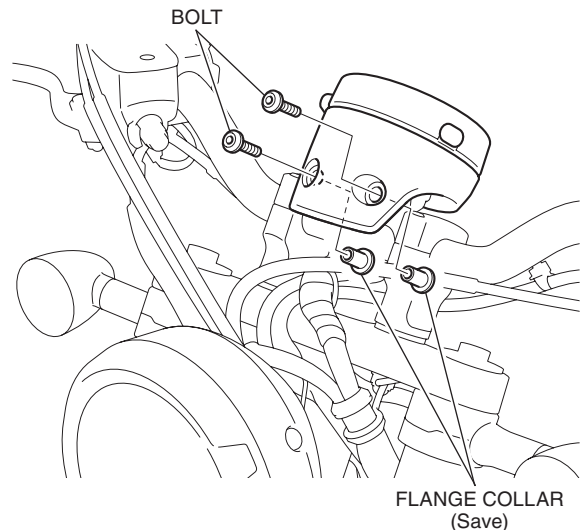
▲ CAUTION

- To prevent burns, allow the engine, exhaust system, radiator, etc. to cool before installing the accessory.

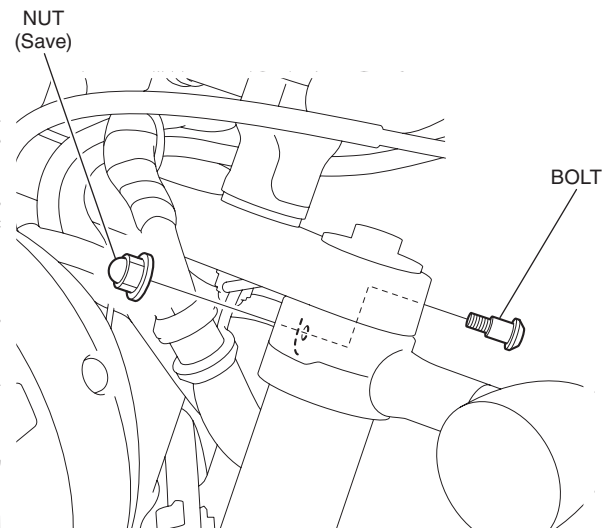
NOTE:

- Take care not to damage the painted surfaces of the motorcycle.
- Reinstall the removed parts on the motorcycle and make sure that wires and harnesses are not pinched.

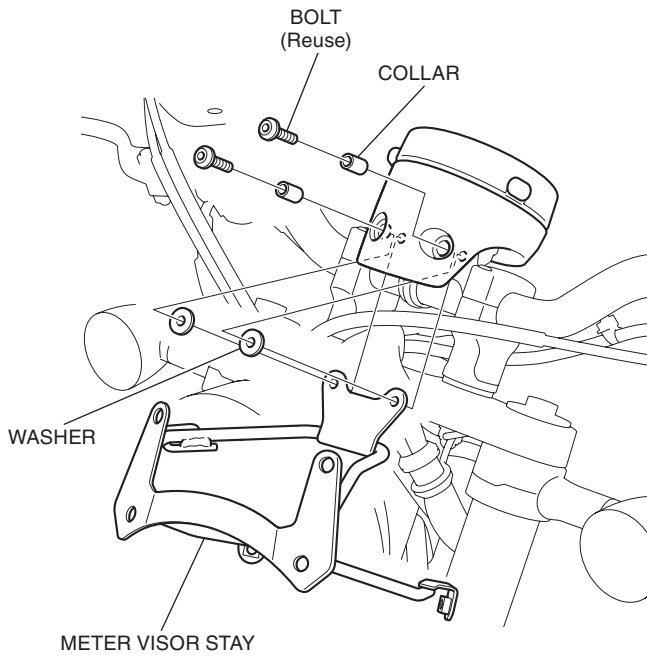
- Refer to the Service Manual for the motorcycle, remove the motorcycle parts.



- Refer to the Service Manual for the motorcycle, remove the motorcycle parts.
 - Repeat on the right side.**

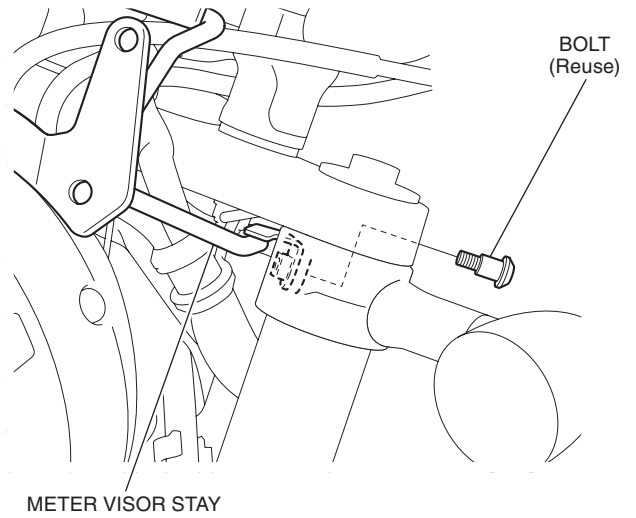


3. Loosely install the meter visor stay as shown.



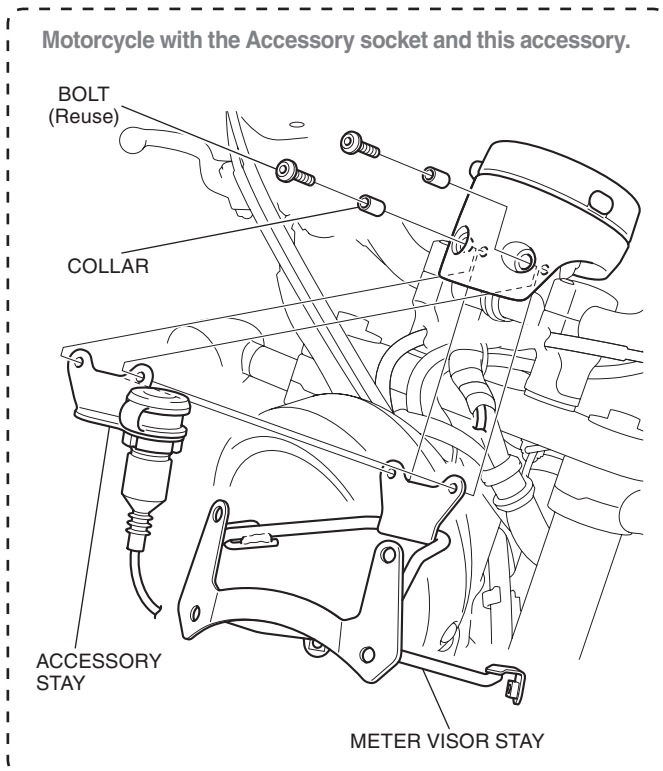
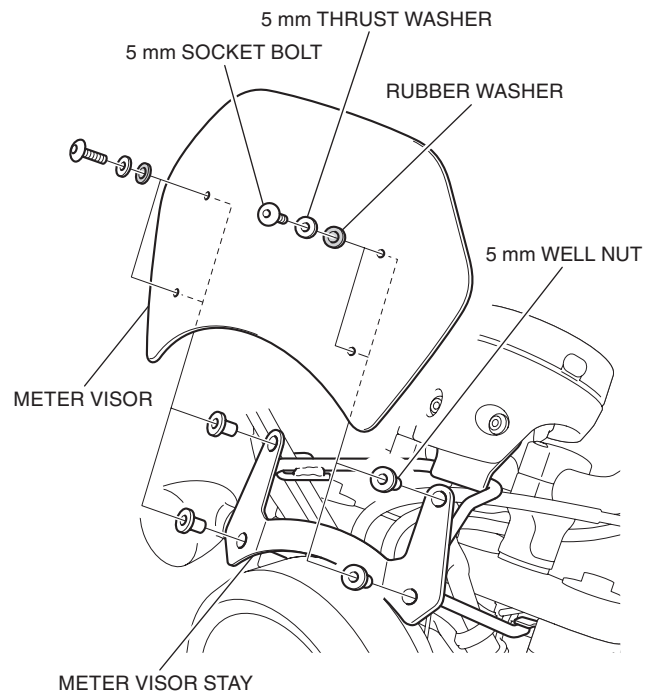
4. Loosely install the bolt as shown.

- Repeat on the right side.

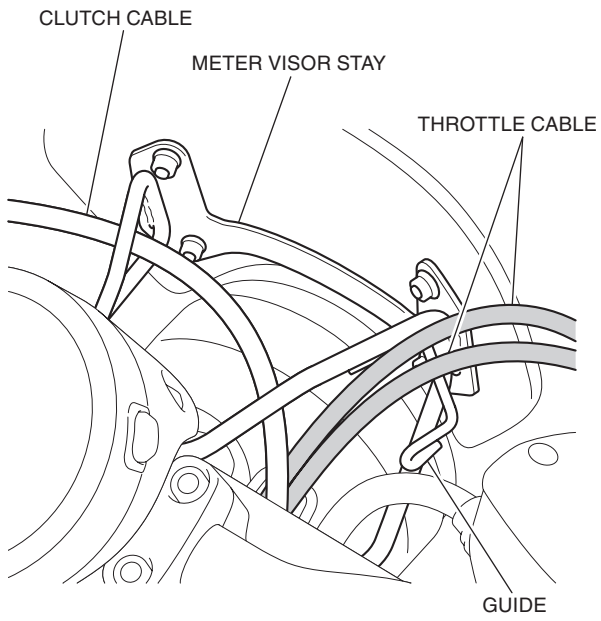


5. Tighten all loosely bolts to their specified torque values.

6. Install the meter visor as shown.



7. Route the cables as shown.



8. Move the handlebar right and left, and check that this accessory is not interfere with the motorcycle parts.