



INSTALLATION INSTRUCTIONS

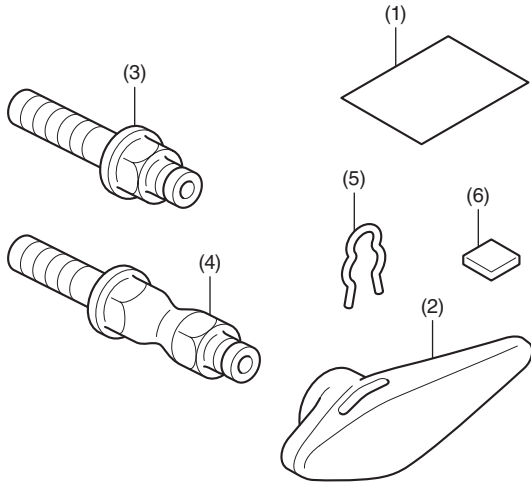
Accessory
FRAME GUARD
P/N 08P71-MKR-D10

Application
CBR1000ST/SP

Publication No.
MII
Issue Date
December 2019

Honda Dealer: Please give a copy of these instructions to your customer.

PARTS LIST



No.	Description	Qty
(1)	URL paper	1
(2)	Frame guard	2
(3)	12 mm flange bolt (12 x 45 mm)	1
(4)	12 mm flange bolt (12 x 50 mm)	1
(5)	10 mm snap retainer	2
(6)	Rubber	2

TOOLS AND SUPPLIES REQUIRED

- Socket (17 mm)
- Ratchet
- Isopropyl alcohol
- Shop towel
- Torque wrench

TORQUE INFORMATION

Tighten all screws, bolts, and nuts to their specified torque values. Refer to the Service Manual for the torque values of the removed parts.

Item	N·m	kgf·m	lbf·ft
12 mm flange bolt	79	8.1	58

INSTALLATION

⚠ CAUTION

- To prevent burns, allow the engine, exhaust system, radiator, etc. to cool before installing the accessory.

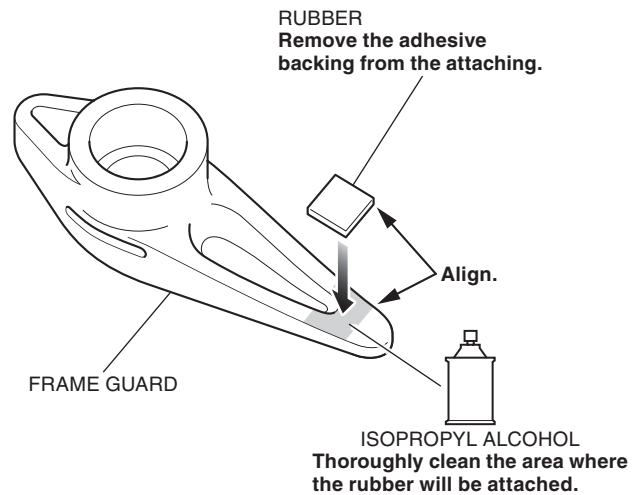
NOTE:

- Heat the bonding surfaces with a hair dryer if the ambient air temperature is below 21°C (70°F).
- The adhesive reaches full strength in 72 hours. Wait at least 24 hours before riding your motorcycle.
- Take care not to damage the painted surfaces of the motorcycle.

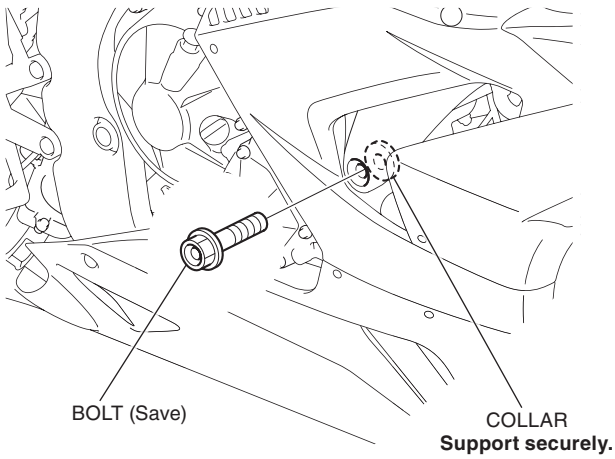
- Illustration shows CBR1000ST type, another type is similar.

- Install the rubber as shown.

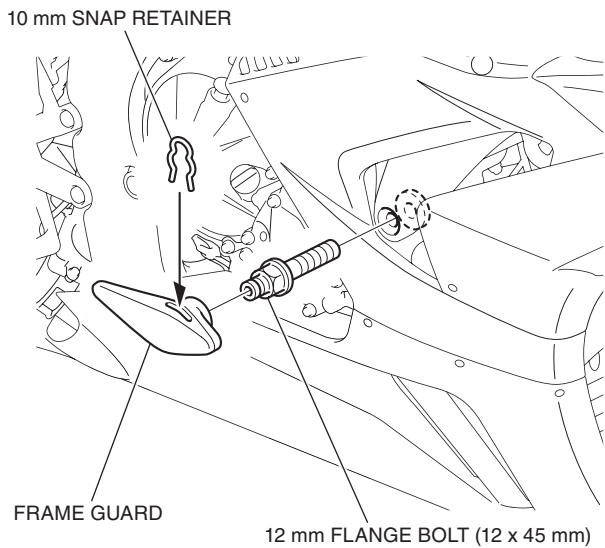
- Perform this step all frame guards.
- Be careful not to protrude the rubber from the frame guard.



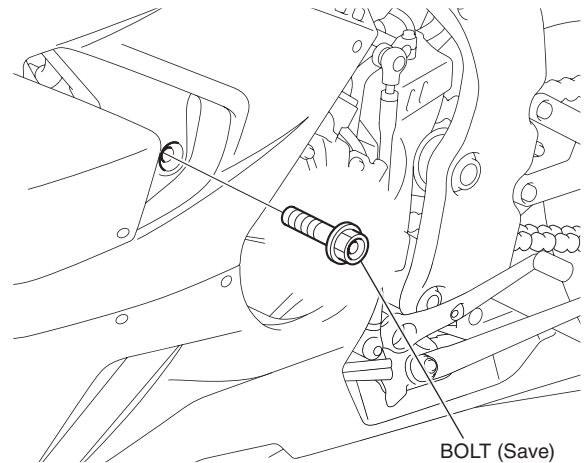
2. Refer to the Service Manual for the motorcycle, remove the motorcycle parts.



3. Install the right frame guard as shown.
 - For easy retainer installation, align the bolt groove with the frame guard slit firmly.



4. Refer to the Service Manual for the motorcycle, remove the motorcycle parts.



5. Install the left frame guard as shown.
 - For easy retainer installation, align the bolt groove with the frame guard slit firmly.

