



# INSTALLATION INSTRUCTIONS

Accessory

SPROCKET PROTECTOR  
P/N 08P77-MKR-D10

Application

CBR1000ST/SP

Publication No.

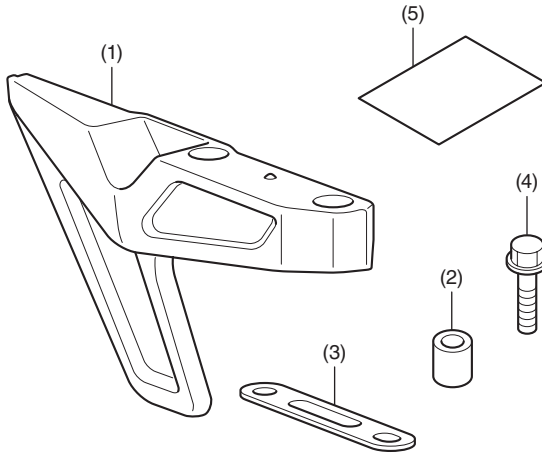
MII

Issue Date

December 2019

**Honda Dealer: Please give a copy of these instructions to your customer.**

## PARTS LIST



No.	Description	Qty
(1)	Sprocket protector	1
(2)	Collar	2
(3)	Plate	1
(4)	6 mm bolt	2
(5)	URL paper	1

## TOOLS REQUIRED

Socket (8 mm)

Ratchet

Torque wrench

## TORQUE INFORMATION

Tighten all screws, bolts, and nuts to their specified torque values. Refer to the Service Manual for the torque values of the removed parts.

Item	N·m	kgf·m	lbf·ft
6 mm bolt	10	1.0	7

## INSTALLATION

### ▲ CAUTION

- To prevent burns, allow the engine, exhaust system, radiator, etc. to cool before installing the accessory.

### NOTE:

- Take care not to damage the painted surfaces of the motorcycle.

- Illustration shows CBR1000ST type, another type is similar.

- Install the sprocket protector as shown.

