



INSTALLATION INSTRUCTIONS

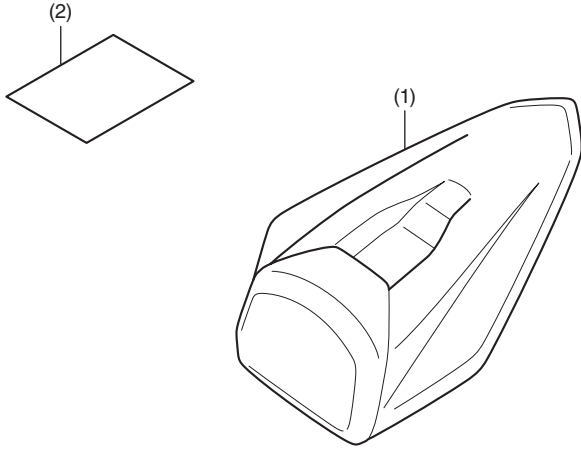
Accessory
SEAT COWL
P/N 08F75-MKR-D10

Application
CBR1000ST/SP

Publication No.
MII
Issue Date
December 2019

Honda Dealer: Please give a copy of these instructions to your customer.

PARTS LIST



No.	Description	Qty
(1)	Single seat cowl	1
(2)	URL paper	1

INSTALLATION

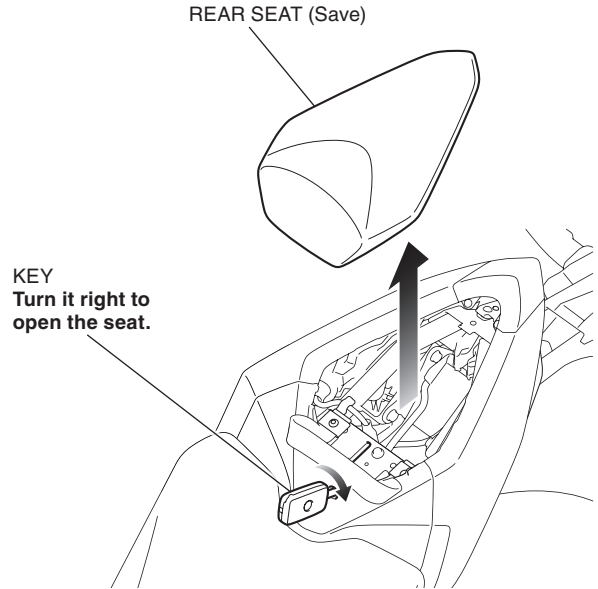
CAUTION

- To prevent burns, allow the engine, exhaust system, radiator, etc. to cool before installing the accessory.

NOTE:

- Take care not to damage the painted surfaces of the motorcycle.
- Save all removed parts unless otherwise indicated.
- Illustration shows CBR1000ST type, another type is similar.**

- Refer to the Service Manual for the motorcycle, remove the motorcycle parts.



- Install the seat cowl as shown.
 - After installing, check that the seat cowl is locked securely. Failure to lock the seat cowl may cause it to fall off while riding.**

