



# INSTALLATION INSTRUCTIONS

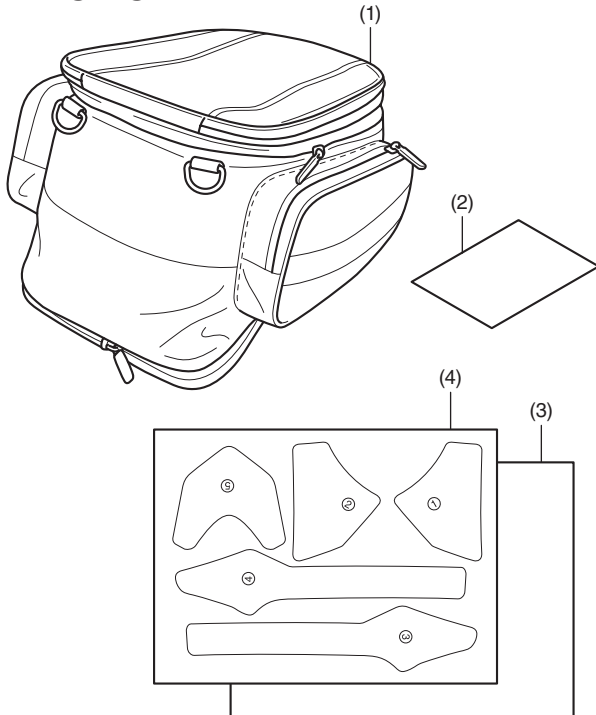
Accessory	Application	Publication No.
<b>REAR SEAT BAG</b> P/N 08L72-MKR-D10	<b>CBR1000ST/SP</b>	<b>MII</b>
		Issue Date
		<b>December 2019</b>

Accessory	Application	Publication No.
<b>REAR SEAT BAG</b> P/N 08L72-MKR-D10	<b>CBR1000ST/SP</b>	<b>MII</b>
		Issue Date
		<b>December 2019</b>

Accessory	Application	Publication No.
<b>REAR SEAT BAG</b> P/N 08L72-MKR-D10	<b>CBR1000ST/SP</b>	<b>MII</b>
		Issue Date
		<b>December 2019</b>

**Honda Dealer: Please give a copy of these instructions to your customer.**

## PARTS LIST



No.	Description	Qty
(1)	Rear seat bag	1
(2)	URL paper	1
(3)	Protective film	1
(4)	Pattern paper	1

## TOOLS AND SUPPLIES REQUIRED

Scissors	Scale
Tape	Isopropyl alcohol
Shop towel	Torque wrench

## TORQUE INFORMATION

Refer to the Service Manual for the torque values of the removed parts.

## MAXIMUM LOADING CAPACITY

- The weight of the cargo must not exceed the following maximum loading capacity:

Maximum Loading Capacity	
Rear seat bag	4.0 kg (8.8 lb)

## INSTALLATION

### CAUTION

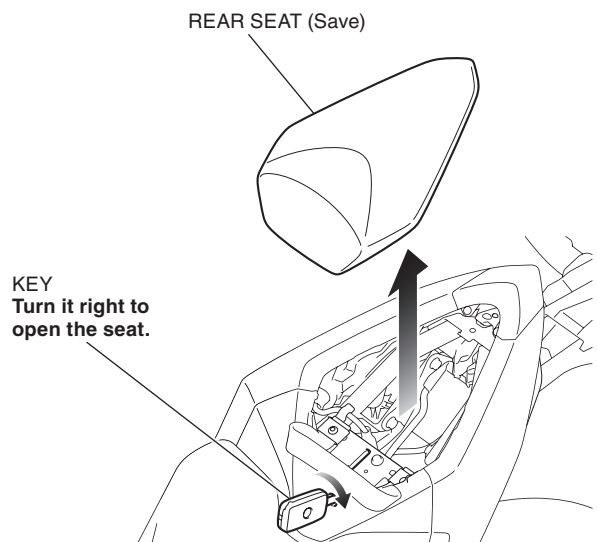
- To prevent burns, allow the engine, exhaust system, radiator, etc., to cool before installing the accessory.

## NOTE:

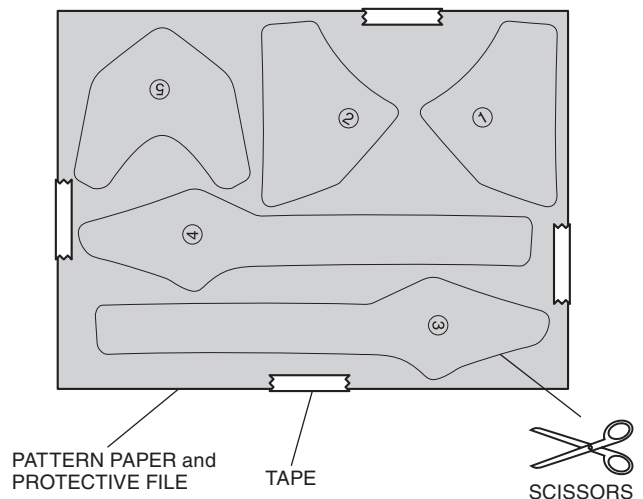
- Heat the bonding surfaces with a hair dryer if the ambient air temperature is below 21°C (70°F).
- The adhesive reaches full strength in 72 hours. Wait at least 24 hours before riding your motorcycle.
- Take care not to damage the painted surfaces of the motorcycle.
- Save all removed parts unless otherwise indicated.

**Illustration shows CBR1000ST type, another type is similar.**

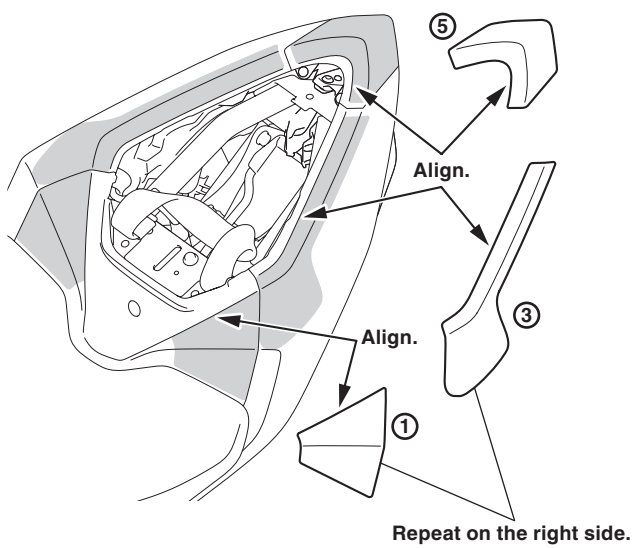
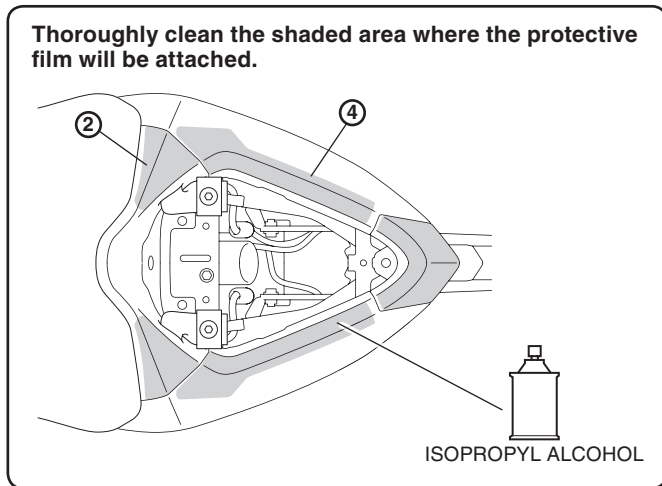
- Refer to the Service Manual for the motorcycle, remove the motorcycle parts.



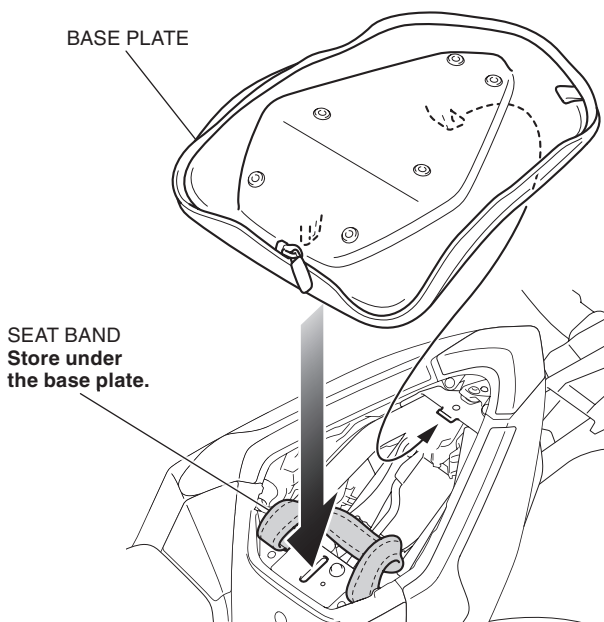
- Attach the pattern paper on the protective film and cut out them together along the line as shown.



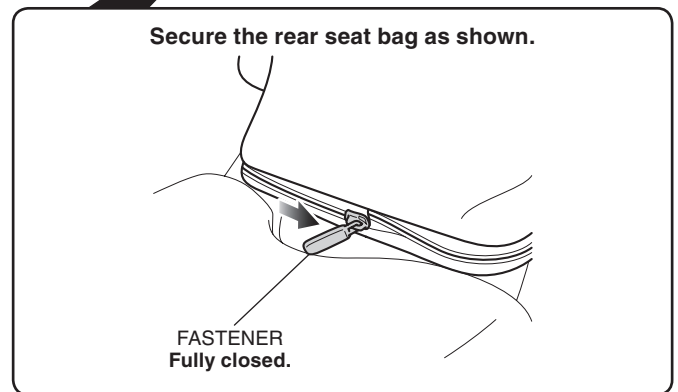
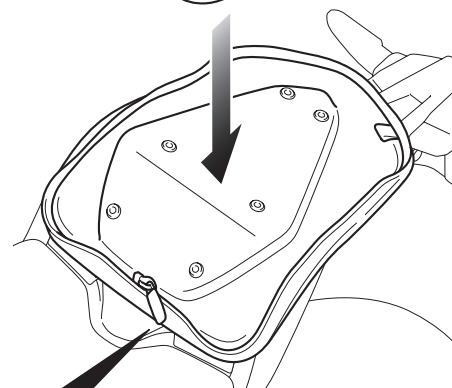
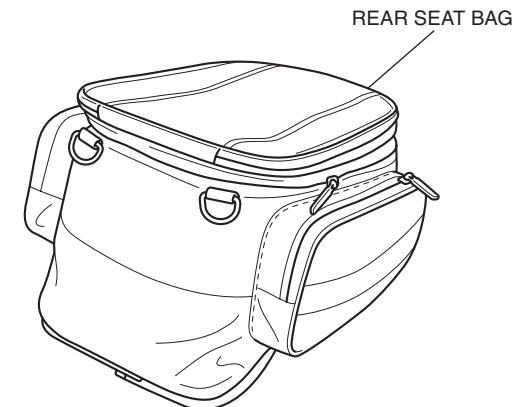
3. Attach the protective film in the position shown.



4. Install the base plate as shown.
  - After installing, check that the base plate is locked securely. Failure to lock the base plate may cause the rear seat bag to fall off while riding.



5. Install the rear seat bag as shown.
  - To prevent scratches, install the rear seat bag after wiping clean the cowl and rear seat bag.



### How to Use the Rear Seat Bag

1. Refer to the Genuine Accessory User's Guide and use the rear seat bag according to the instruction.