



INSTALLATION INSTRUCTIONS

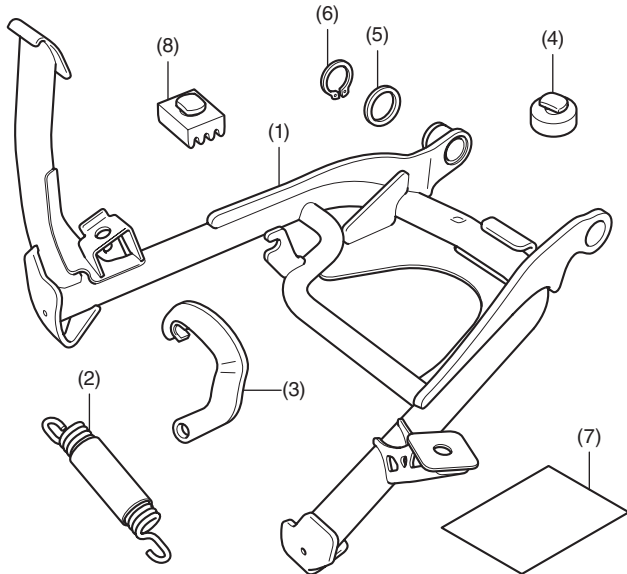
Accessory
MAIN STAND
P/N 08M70-MKS-E00

Application
CRF1100A/A2/A4/D/D2/D4

Publication No.
MII
Issue Date
March 2020

Honda Dealer: Please give a copy of these instructions to your customer.

PARTS LIST



No.	Description	Qty
(1)	Main stand	1
(2)	Spring	2
(3)	Spring plate	1
(4)	Stand stopper rubber	1
(5)	Washer	1
(6)	Circlip	1
(7)	URL paper	1
(8)	Stopper rubber	1

SUPPLIES REQUIRED

- Snap ring pliers
- Spring tool (KL-9-C141)
- Grease
- Synthetic detergent solution
(Water : Synthetic detergent / 100 : 1)
- Shop towel

TORQUE CHART

Refer to the Service Manual for the torque values of the removed parts.

INSTALLATION

▲ CAUTION

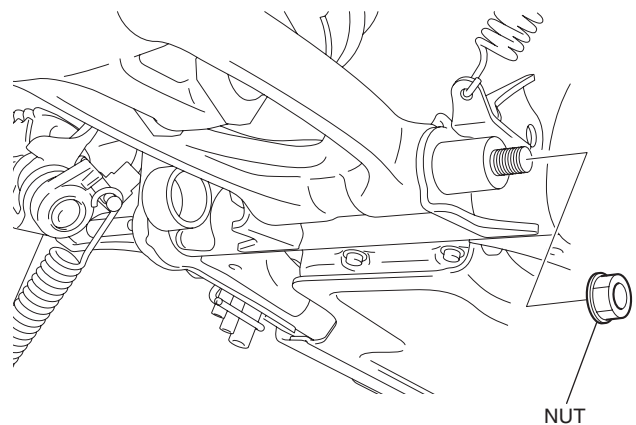
- To prevent burns, allow the engine, exhaust system, radiator, etc., to cool before installing the accessory.

NOTE:

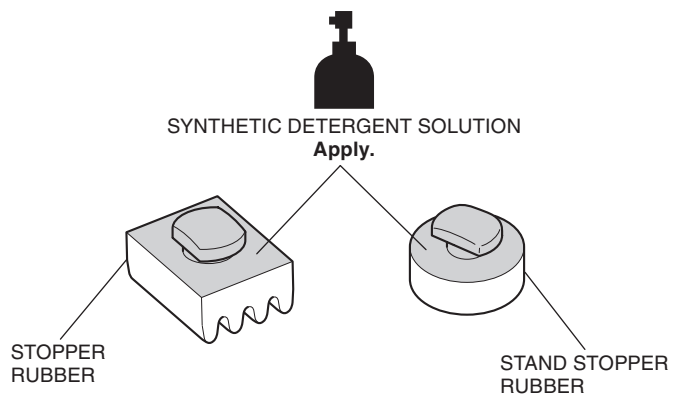
- Be extremely careful when installing the springs as the combined tension of the springs is very strong.
- Keep the motorcycle on its side stand when installing the main stand.
- The spring installation shall be performed by two persons. While one person holds the motorcycle, another person installs the spring.

1. Remove the nut as shown.

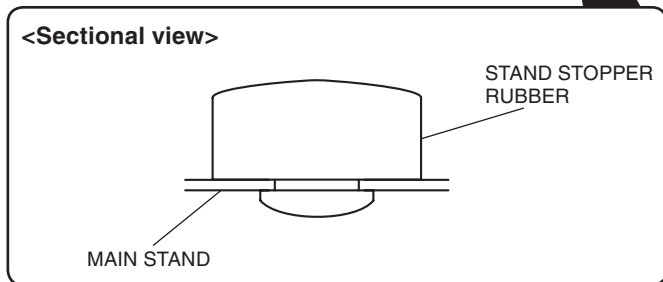
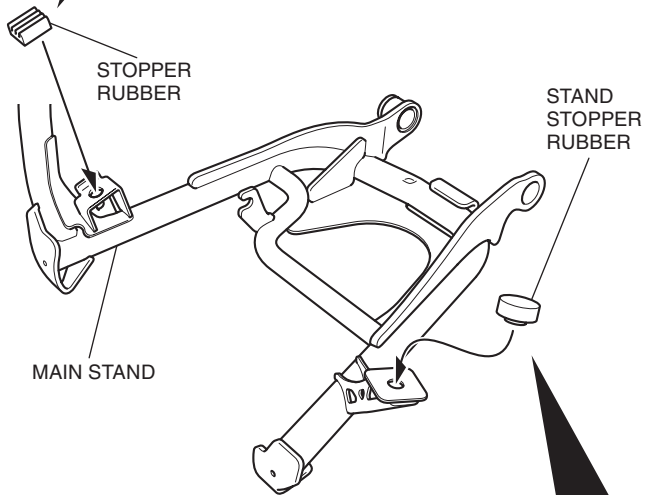
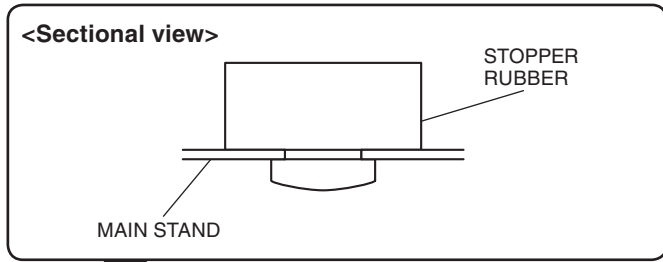
<Right side>



2. Apply synthetic detergent solution to the position shown.

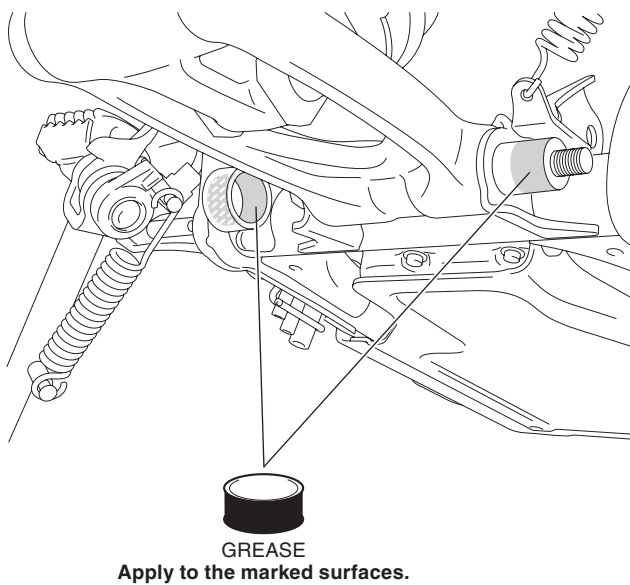


3. Install the rubbers in the position shown.

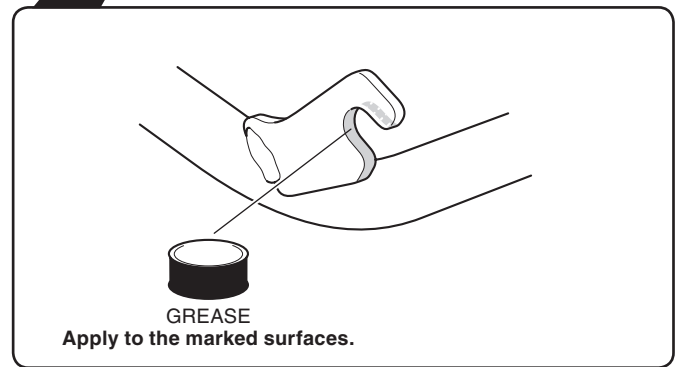
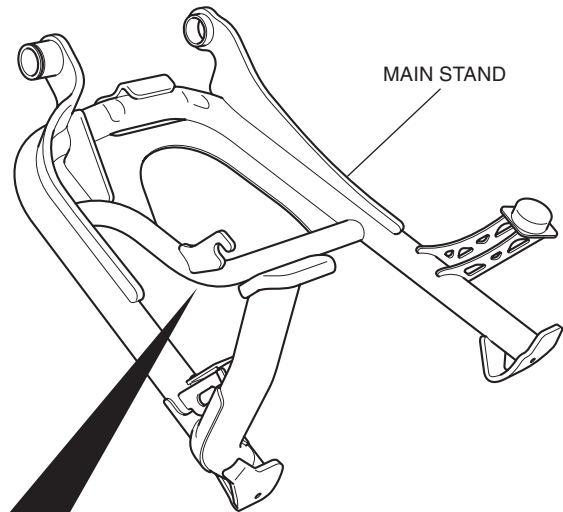


4. Apply grease to the position shown.

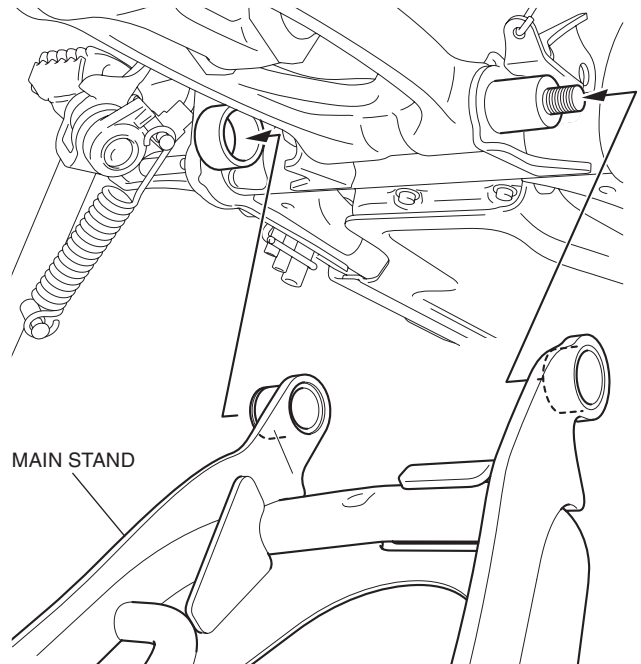
<Right side>



5. Apply grease to the position shown.

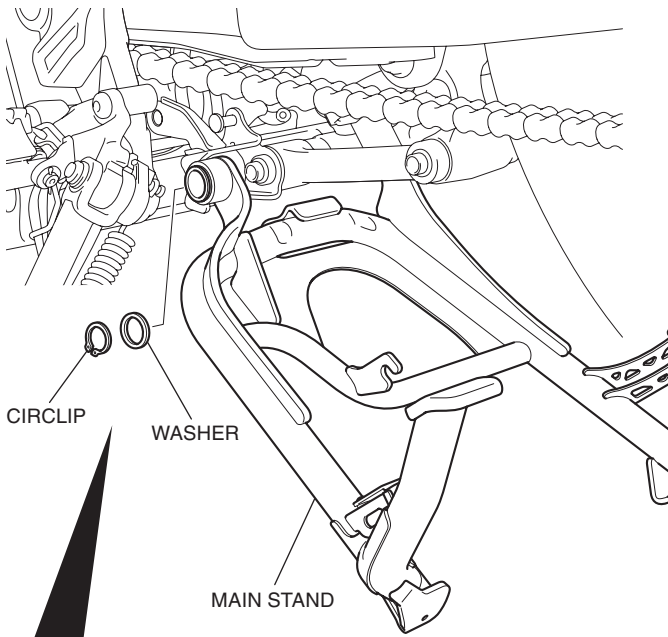


6. Install the main stand as shown.

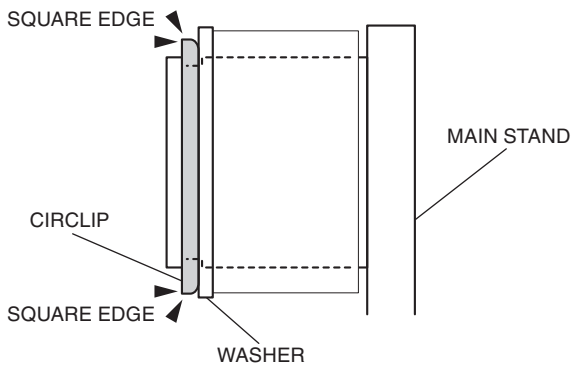


7. Install the nut in the reverse order of removal.

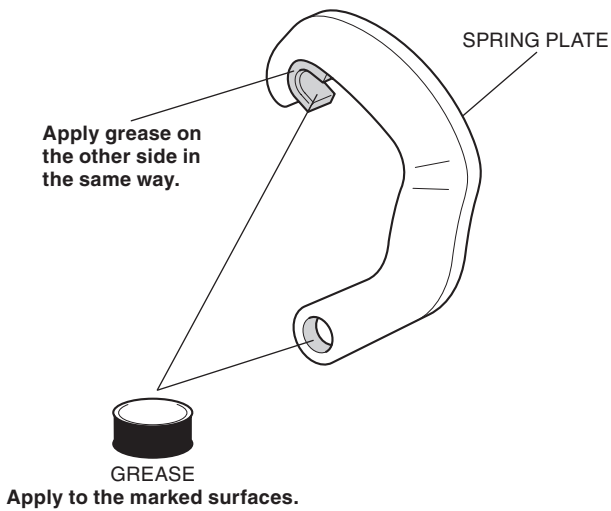
8. Install the circlip and washer as shown.
<Left side>



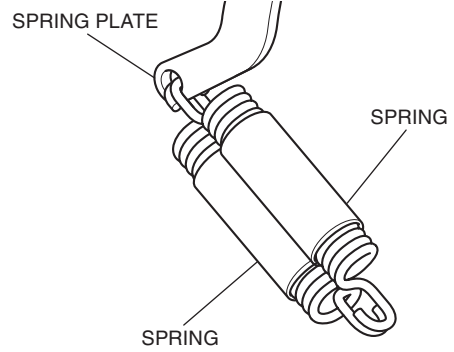
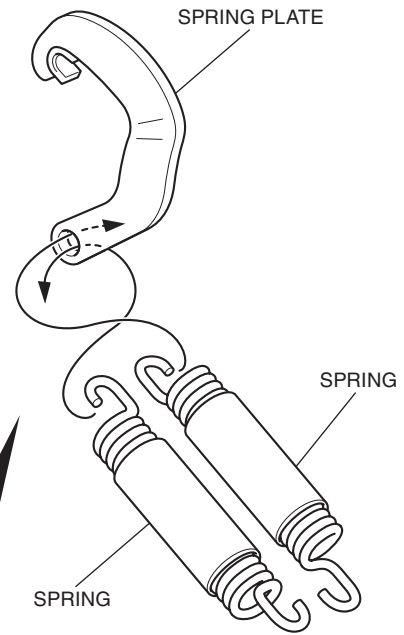
Install the circlip in the groove in the indicated direction.



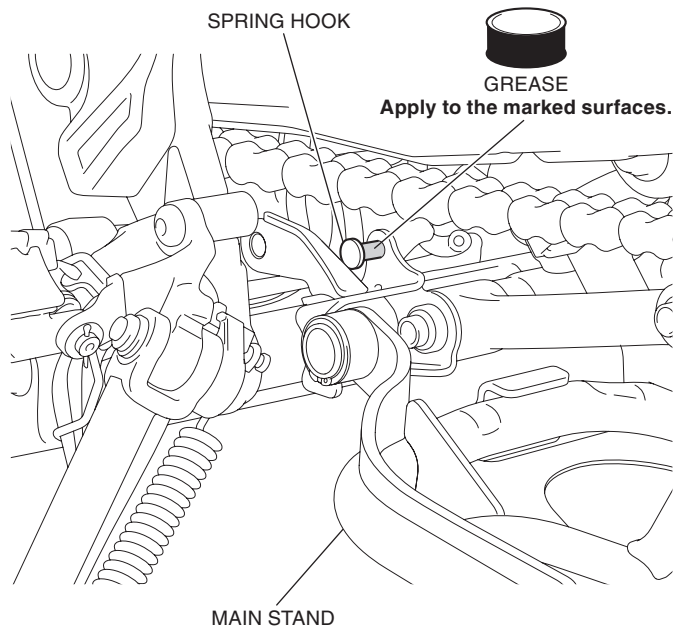
9. Apply grease to the position shown.



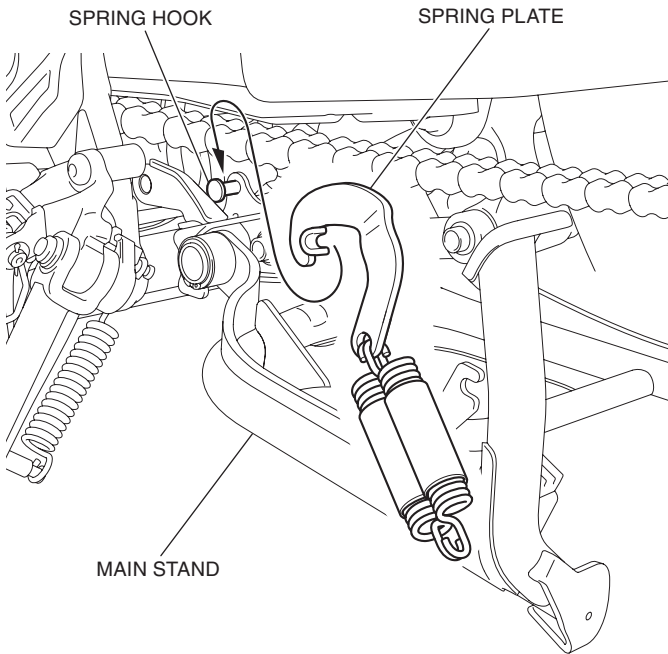
10. Install the springs to the spring plate as shown.



11. Apply grease to the position shown.



12. Install the spring plate as shown.



13. Install the springs as shown.

- **The spring installation shall be performed by two persons. While one person holds the motorcycle, another person installs the springs.**

