



# INSTALLATION INSTRUCTIONS

Accessory

FRONT FORK COVER  
P/N 08F71-K87-A31

Application

CMX300/A  
CMX500/A

Publication No.

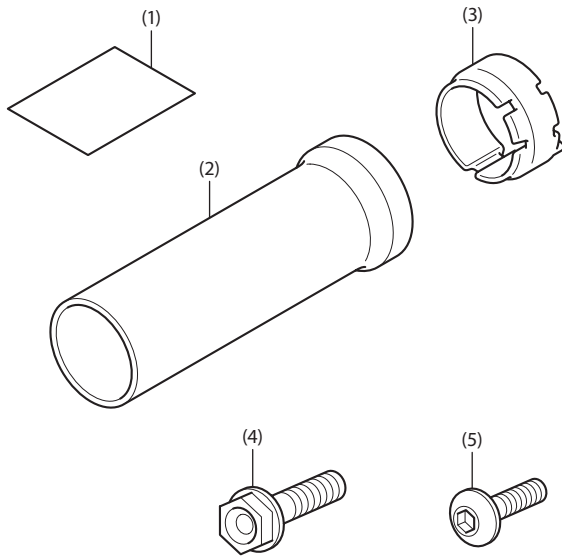
M11

Issue Date

March 2020

Honda Dealer: Please give a copy of these instructions to your customer.

## PARTS LIST



| No. | Description          | Qty |
|-----|----------------------|-----|
| (1) | URL paper            | 1   |
| (2) | Front fork cover     | 2   |
| (3) | Rubber               | 2   |
| (4) | Frange bolt (8 x 32) | 2   |
| (5) | Socket bolt (6 x 25) | 4   |

## TOOLS REQUIRED

Socket (12 mm)  
Ratchet  
Hex wrench (5 mm)  
Torque wrench

## TORQUE INFORMATION

Refer to the Service Manual for the torque values of the removed parts.

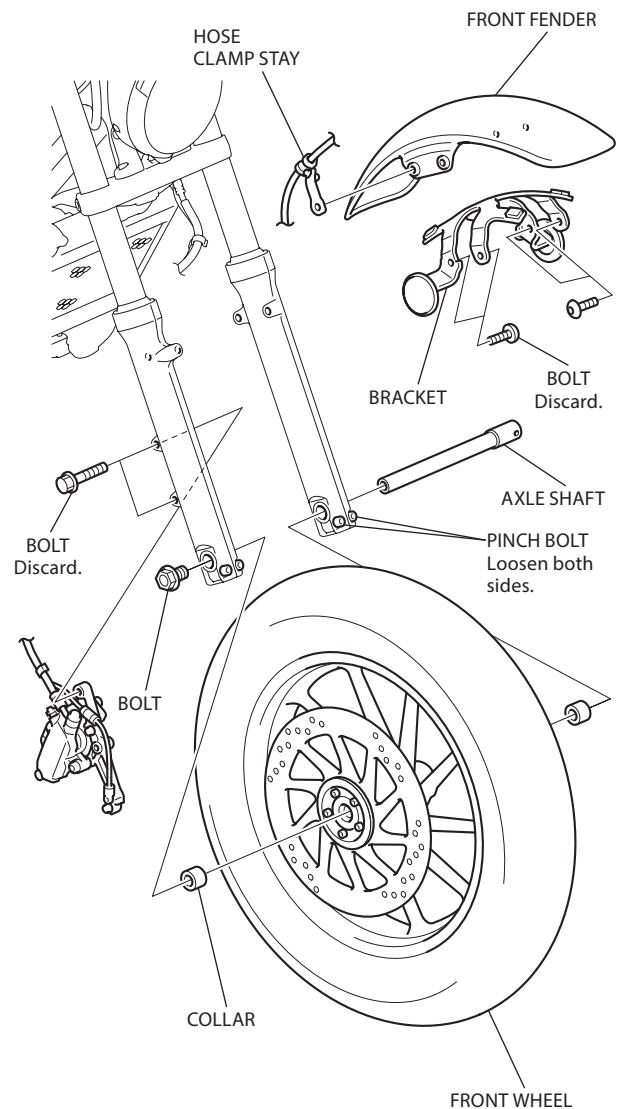
## INSTALLATION

### ▲ CAUTION

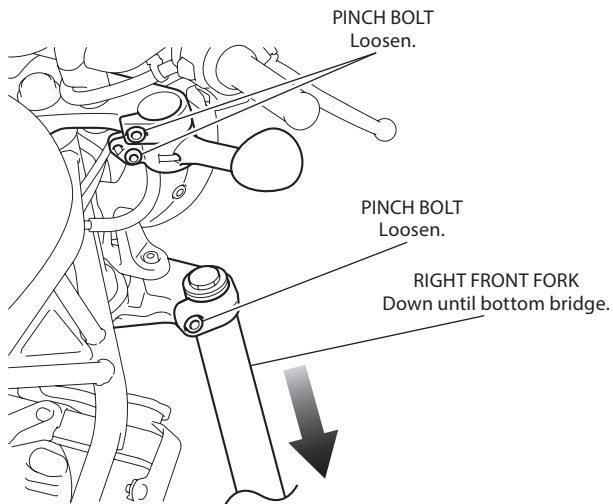
- To prevent burns, allow the engine, exhaust system, radiator, etc. to cool before installing the accessory.

### NOTE:

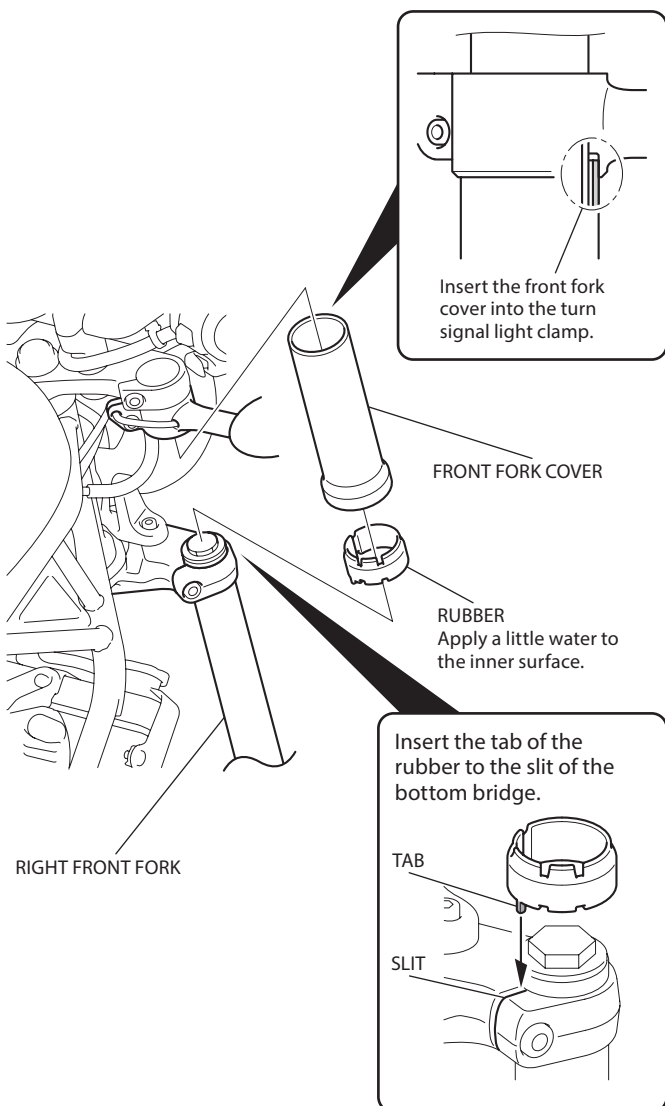
- Take care not to damage the painted surfaces of the motorcycle.
- Refer to the Service Manual for the motorcycle, remove the motorcycle parts.
    - Do not suspend the brake caliper assembly from the brake hose.



2. Refer to the Service Manual for the motorcycle, remove the motorcycle parts.
  - Repeat on the left side.



3. Temporarily tighten the bottom bridge pinch bolt and install the front fork cover as shown.
  - Repeat on the left side.



4. Install the removed parts in the reverse order of removal and tighten the loosely installed hardware.
  - Replace the brake caliper bolts and front fender bolts with new ones.