



INSTALLATION INSTRUCTIONS

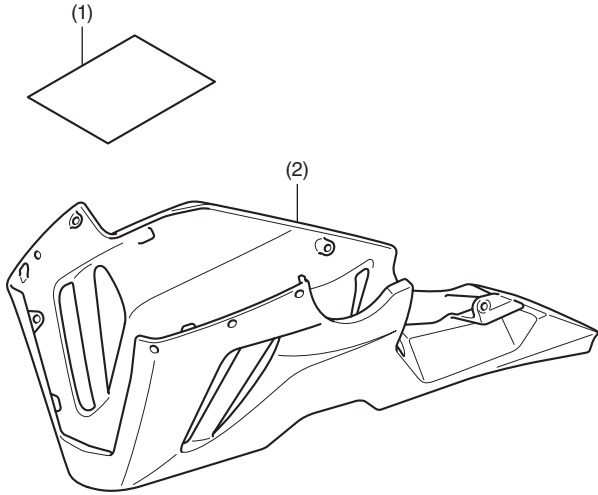
Accessory
UNDER COWL
P/N 08F73-MKR-D10

Application
CBR1000ST/SP

Publication No.
MII
Issue Date
April 2020

Honda Dealer: Please give a copy of these instructions to your customer.

PARTS LIST



No.	Description	Qty
(1)	URL paper	1
(2)	Under cowl	1

TORQUE INFORMATION

Refer to the Service Manual for the torque values of the removed parts.

INSTALLATION

⚠ CAUTION

- To prevent burns, allow the engine, exhaust system, radiator, etc. to cool before installing the accessory.

NOTE:

- Take care not to damage the painted surfaces of the motorcycle.
- Save all removed parts unless otherwise indicated.
- Illustration shows CBR1000ST type, another type is similar.**

- Replace the existing under cowl to accessory part as shown.
 - Replacing part is shaded part.
 - Repeat on the right side.

