

# HONDA

## INSTALLATION INSTRUCTIONS

Accessory

OIL FILLER CAP  
P/N 08F81-MKR-D10

Application

CBR1000ST/SP

Publication No.

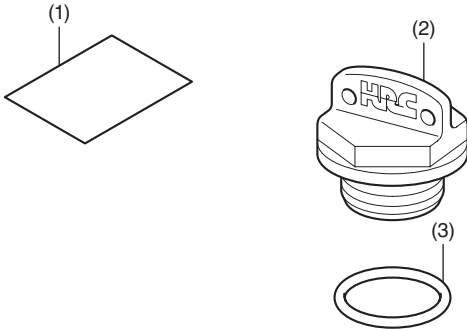
MII

Issue Date

April 2020

**Honda Dealer: Please give a copy of these instructions to your customer.**

### PARTS LIST



No.	Description	Qty
(1)	URL paper	1
(2)	Oil filler cap	1
(3)	O-ring	1

### TORQUE INFORMATION

Refer to the Service Manual for the torque values of the removed parts.

### INSTALLATION

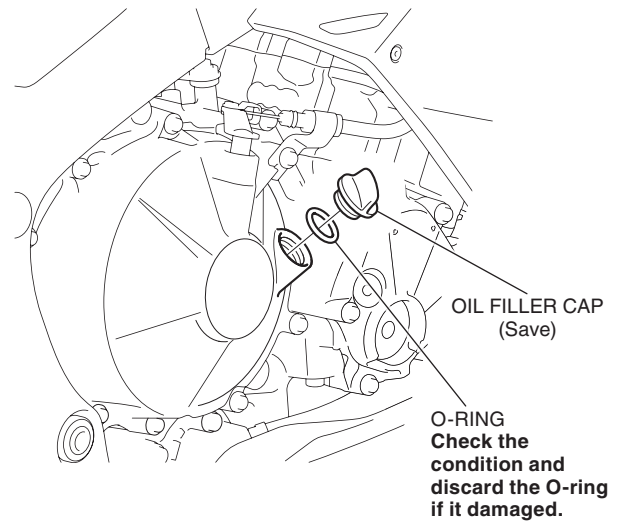
#### ▲ CAUTION

- To prevent burns, allow the engine, exhaust system, radiator, etc. to cool before installing the accessory.

#### NOTE:

- Take care not to damage the painted surfaces of the motorcycle.
- Save all removed parts unless otherwise indicated.
- Illustration shows CBR1000ST type, another type is similar.**

- Refer to the Service Manual for the motorcycle, remove the motorcycle parts as shown.



- Install the accessory oil filler cap as shown.
  - Apply engine oil to the O-ring.**

