



# INSTALLATION INSTRUCTIONS

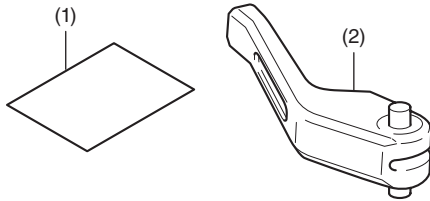
Accessory  
**PARKING LEVER  
P/N 08F70-MKT-D00**

Application  
**ADV750**

Publication No.  
**MII**  
Issue Date  
**October 2020**

**Honda Dealer: Please give a copy of these instructions to your customer.**

## PARTS LIST



No.	Description	Qty
(1)	URL paper	1
(2)	Parking lever	1

## SUPPLY REQUIRED

Grease

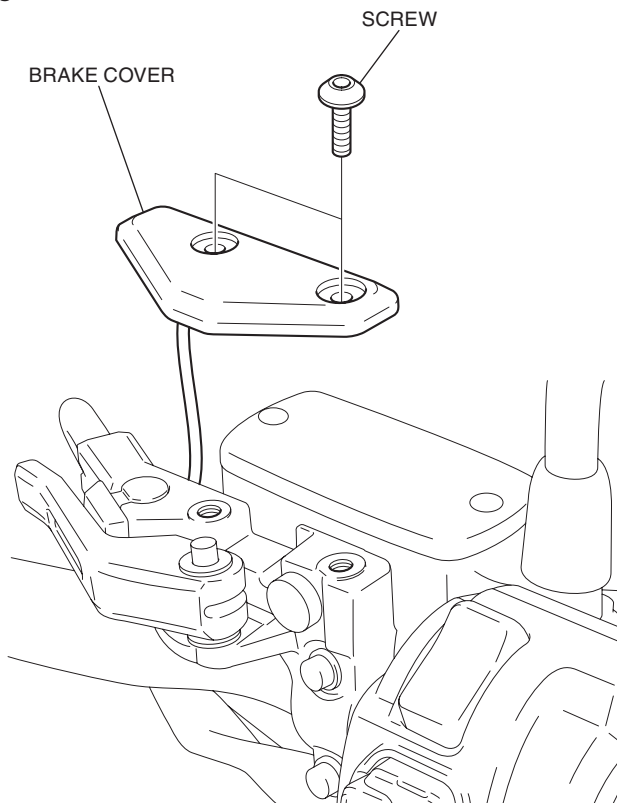
## TORQUE CHART

Refer to the Service Manual for the torque values of the removed parts.

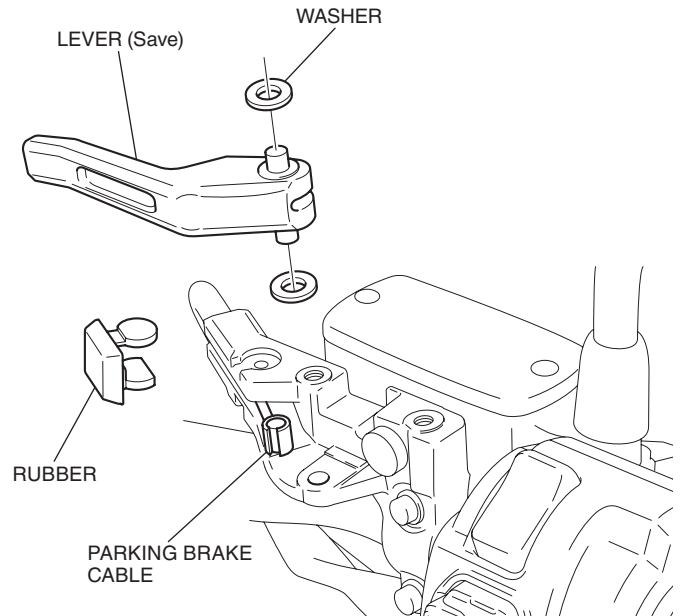
## INSTALLATION

1. Remove the brake cover as shown.

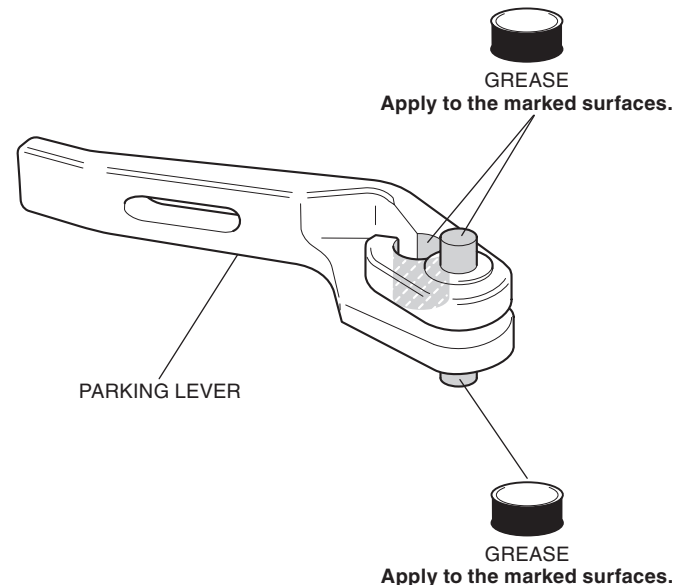
<Right side>



2. Remove the rubber, and remove the lever from the parking brake cable as shown.

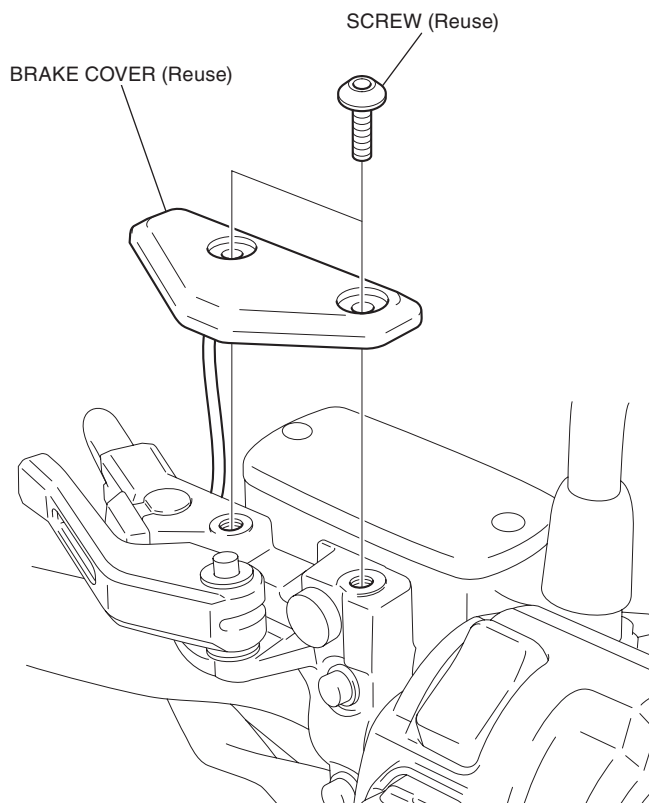


3. Apply grease to the positions shown.



4. Install the parking brake cable, parking lever, washers and rubber in the reverse order of removal.

5. Install the brake cover as shown.



6. Check the parking lever for proper operation.