



# INSTALLATION INSTRUCTIONS

Accessory

FLOOR PANEL  
P/N 08F70-MKH-D00

Application

ADV750

Publication No.

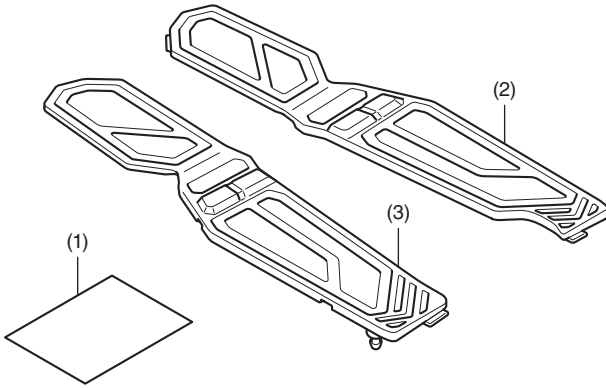
MII

Issue Date

September 2020

**Honda Dealer: Please give a copy of these instructions to your customer.**

## PARTS LIST



No.	Description	Qty
(1)	URL paper	1
(2)	Right floor panel	1
(3)	Left floor panel	1

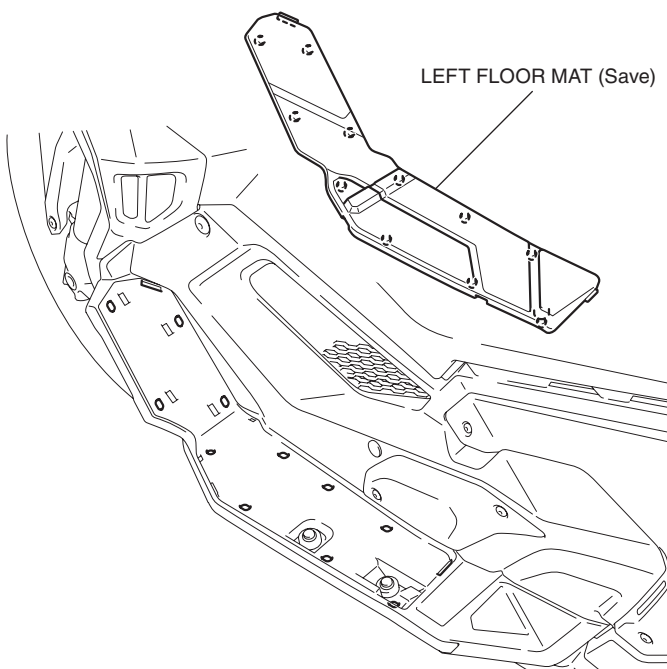
## INSTALLATION

### ▲ CAUTION

- To prevent burns, allow the engine, exhaust system, radiator, etc., to cool before installing the accessory.

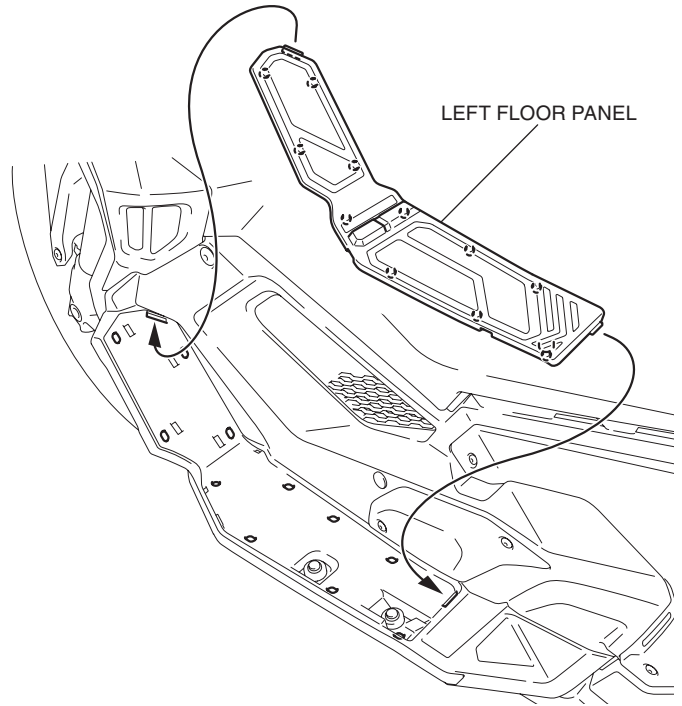
- Remove the left floor mat as shown.

<Left side>



- Install the left floor panel as shown.

- Push the top of the tabs of the left floor panel to avoid bending the stainless plates of the panel.



- Install the right floor panel in the same manner as the left side.