



INSTALLATION INSTRUCTIONS

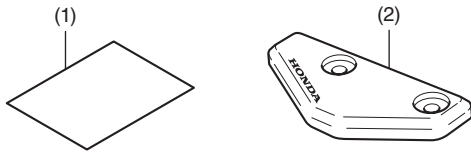
Accessory
PARKING LEVER COVER
 P/N 08F72-MKT-D00

Application
ADV750

Publication No.
MII
 Issue Date
December 2020

Honda Dealer: Please give a copy of these instructions to your customer.

PARTS LIST



No.	Description	Qty
(1)	URL paper	1
(2)	Parking brake cover	1

SUPPLY REQUIRED

Grease

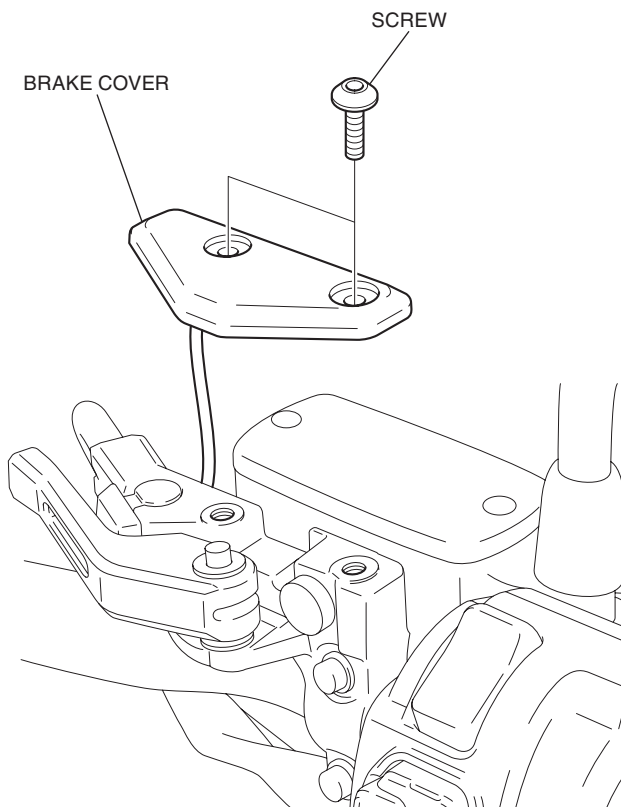
TORQUE CHART

Refer to the Service Manual for the torque values of the removed parts.

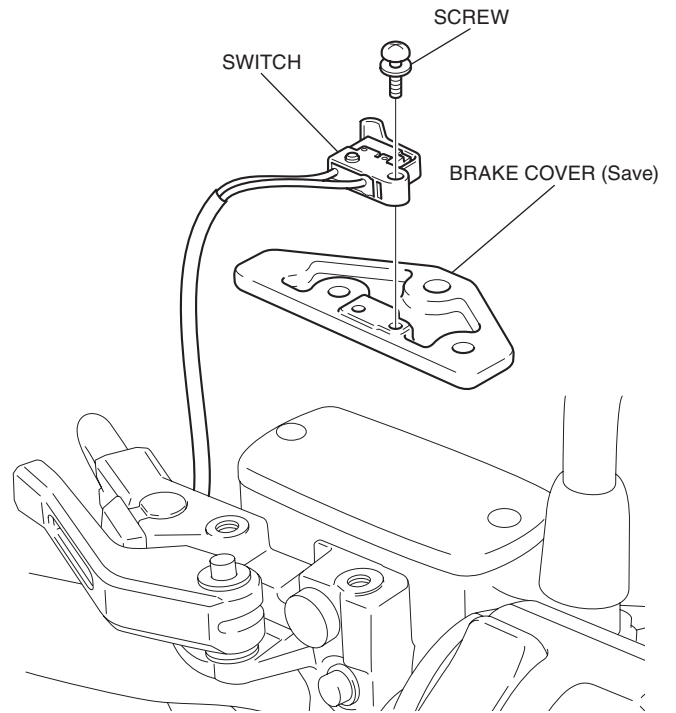
INSTALLATION

1. Remove the brake cover as shown.

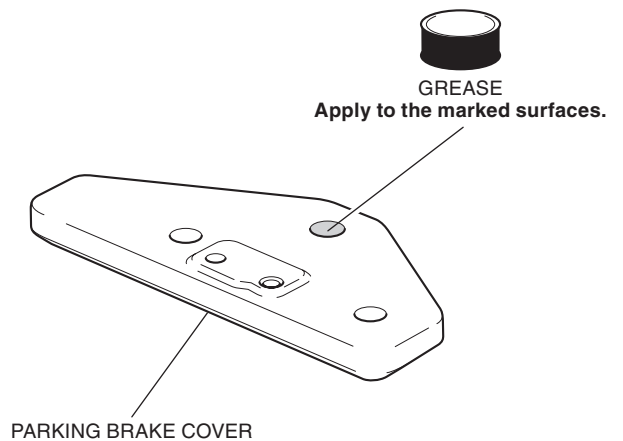
<Right side>



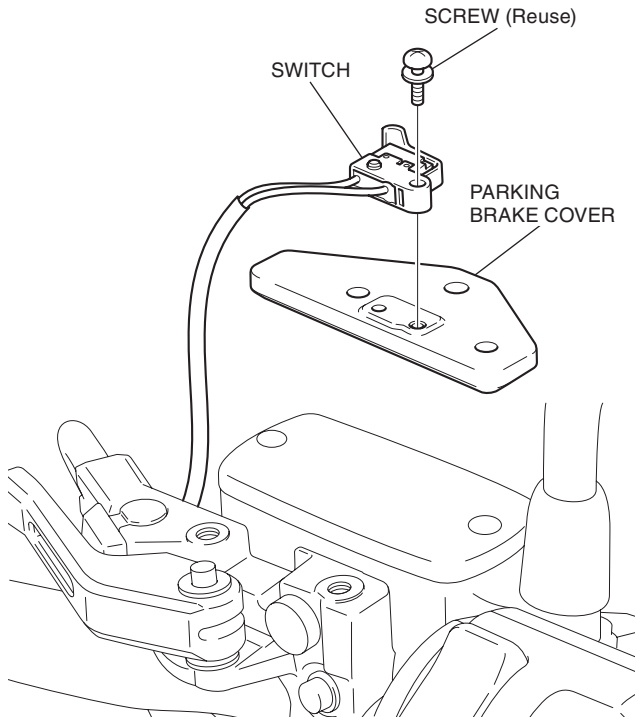
2. Remove the switch as shown.



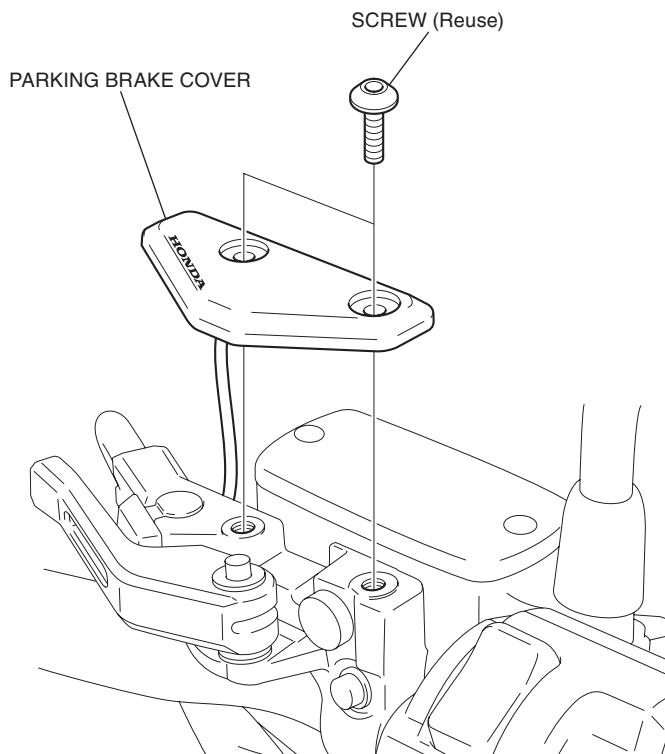
3. Apply grease to the positions shown.



4. Install the switch as shown.



5. Install the parking brake cover as shown.



6. Check the parking lever for proper operation.