



INSTALLATION INSTRUCTIONS

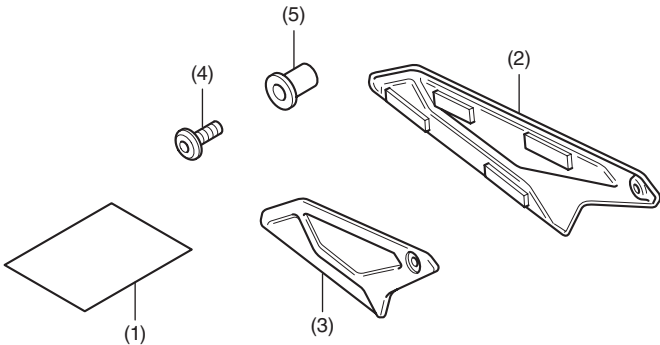
Accessory
LATERAL COVER
P/N 08F75-MKT-D00

Application
ADV750

Publication No.
MII
Issue Date
September 2020

Honda Dealer: Please give a copy of these instructions to your customer.

PARTS LIST



No.	Description	Qty
(1)	URL paper	1
(2)	Right lateral cover	1
(3)	Left lateral cover	1
(4)	5 mm bolt	2
(5)	Well nut	2

TOOLS AND SUPPLIES REQUIRED

- Hex wrench (3 mm)
- Isopropyl alcohol
- Shop towel
- Torque wrench

TORQUE CHART

Tighten all screws, bolts, and nuts to their specified torque values. Refer to the Service Manual for the torque values of the removed parts.

Item	N·m	kgf·m	lbf·ft
5 mm bolt	0.4	0.04	0.3

INSTALLATION

▲ CAUTION

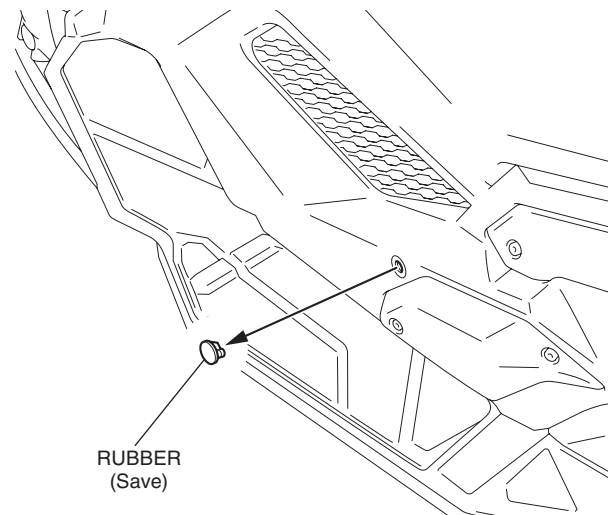
- To prevent burns, allow the engine, exhaust system, radiator, etc., to cool before installing the accessory.

NOTE:

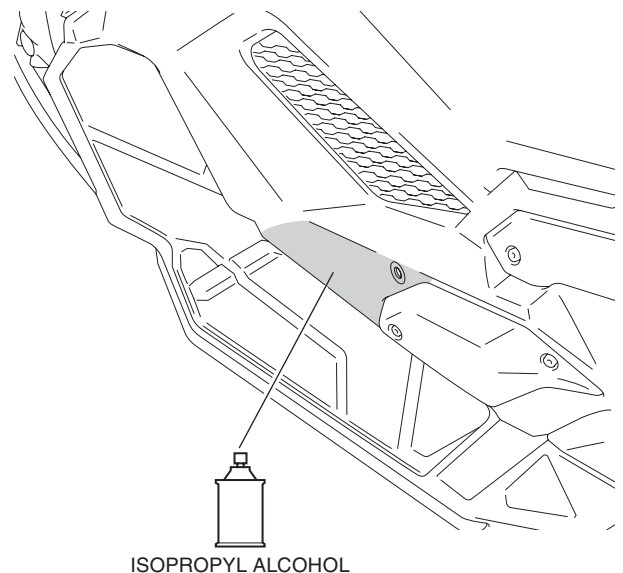
- Heat the bonding surfaces with a hair dryer if the ambient air temperature is below 70°F (21°C).
- The adhesive reaches full strength in 72 hours. Wait at least 24 hours before riding your motorcycle.

- Remove the rubber as shown.
 - Repeat on the right side.

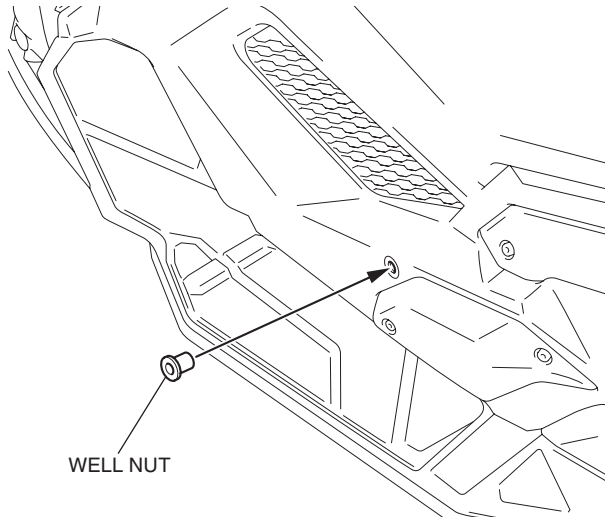
<Left side>



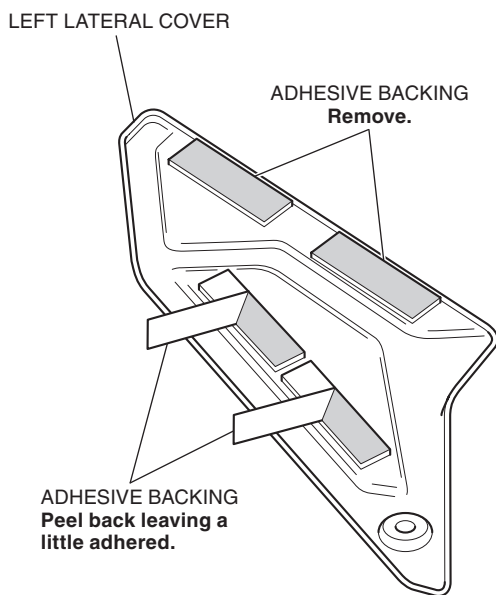
- Clean the surface of the area shown using an isopropyl alcohol.



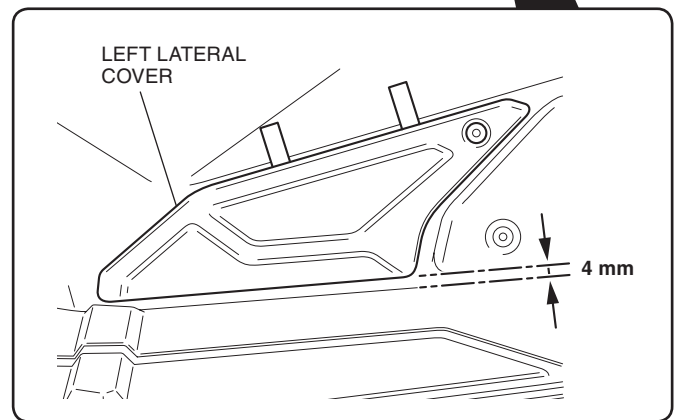
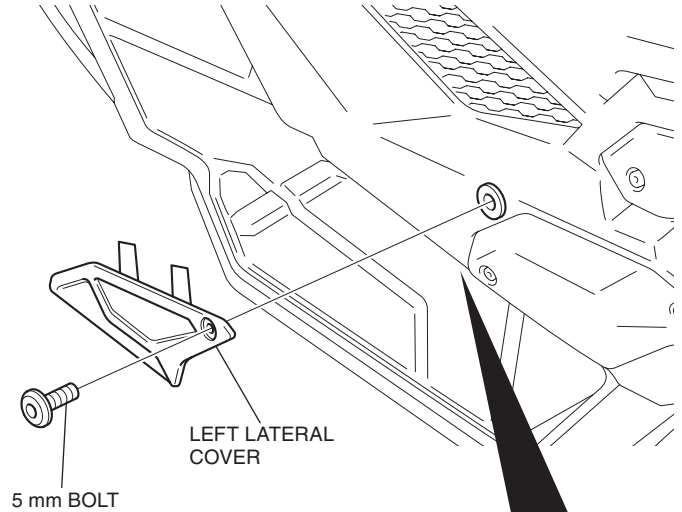
3. Install the well nut as shown.



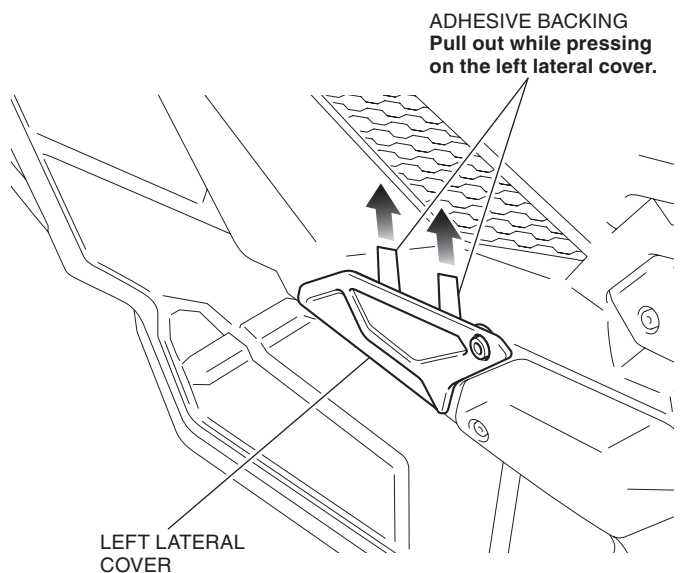
4. Peel off the adhesive backing on the left lateral cover as shown.



5. Install the left lateral cover as shown.



6. Remove the adhesive backing as shown.



7. Apply adequate pressure to the attached left lateral cover.
8. Install the right lateral cover in the same manner as the left side.