



INSTALLATION INSTRUCTIONS

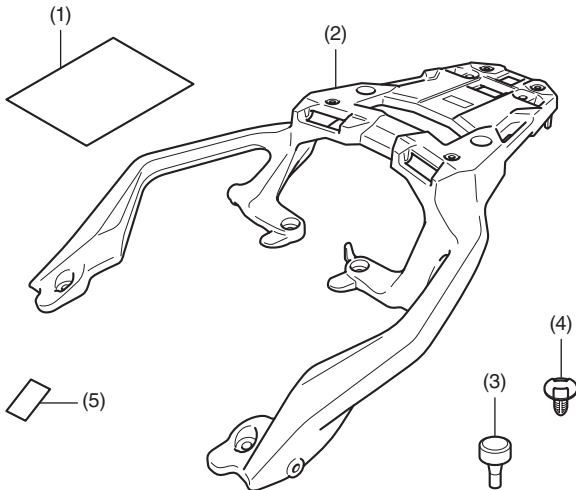
Accessory	Application	Publication No.
REAR CARRIER P/N 08L74-MKT-D00	ADV750	MII
		Issue Date
		October 2020

Accessory	Application	Publication No.
REAR CARRIER P/N 08L74-MKT-D00	ADV750	MII
		Issue Date
		October 2020

Accessory	Application	Publication No.
REAR CARRIER P/N 08L74-MKT-D00	ADV750	MII
		Issue Date
		October 2020

Honda Dealer: Please give a copy of these instructions to your customer.

PARTS LIST



No.	Description	Qty
(1)	URL paper	1
(2)	Rear carrier	1
(3)	Stopper rubber	4
(4)	Clip	4
(5)	Protector film	2

- Stopper rubber should be used when installing the top box (other than SMART).
- Do not used stopper rubber when installing the top box (SMART).

SUPPLIES REQUIRED

- Scale
- Scissors
- Isopropyl alcohol
- Shop towel

TORQUE CHART

Refer to the Service Manual for the torque values of the removed parts.

MAXIMUM LOADING CAPACITY

- The weight of the cargo must not exceed the following maximum loading capacity:

Maximum Loading Capacity	
Rear carrier	10 kg (22 lb)

INSTALLATION

▲ CAUTION

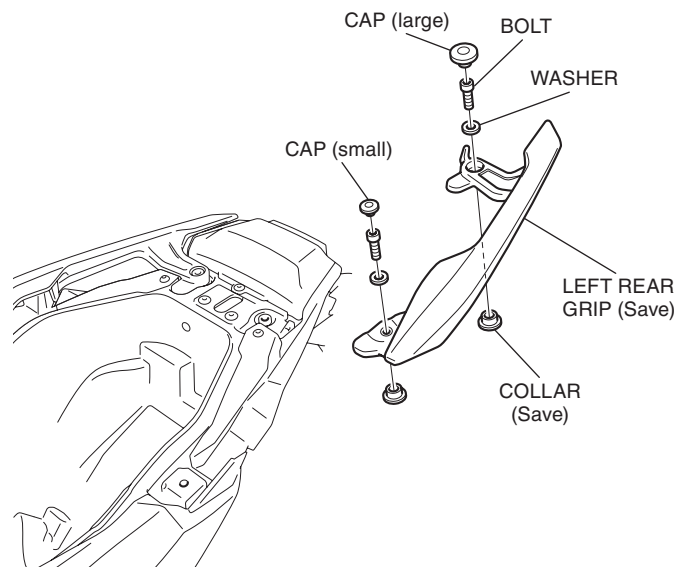
- To prevent burns, allow the engine, exhaust system, radiator, etc., to cool before installing the accessory.

NOTE:

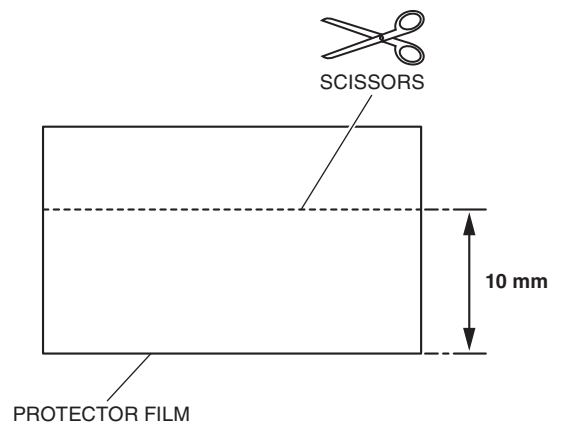
- Heat the bonding surfaces with a hair dryer if the ambient air temperature is below 70°F (21°C).
- The adhesive reaches full strength in 72 hours. Wait at least 24 hours before riding your motorcycle.

1. Open the seat.
2. Remove the left rear grip as shown.
 - Repeat on the right side.

<Left side>

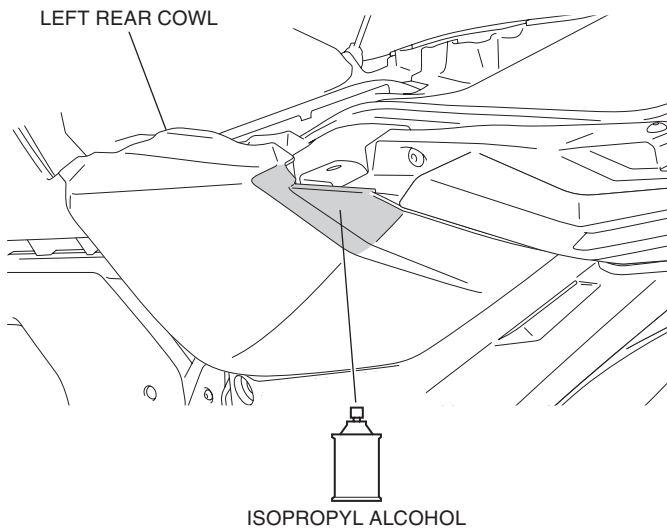


3. Cut the protector film as shown.
 - Process only one piece.

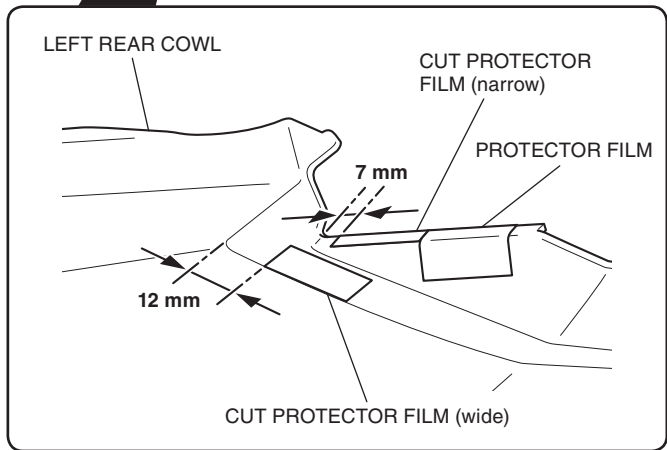
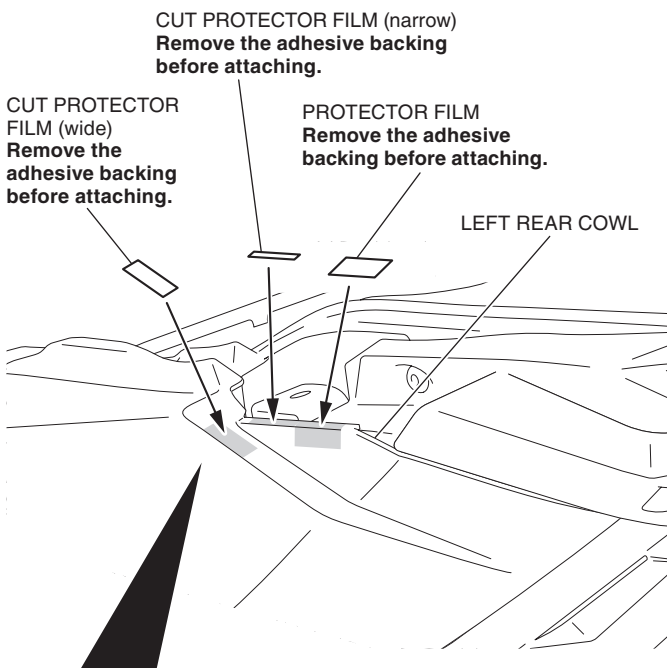


- Clean the surface of the area shown using an isopropyl alcohol.

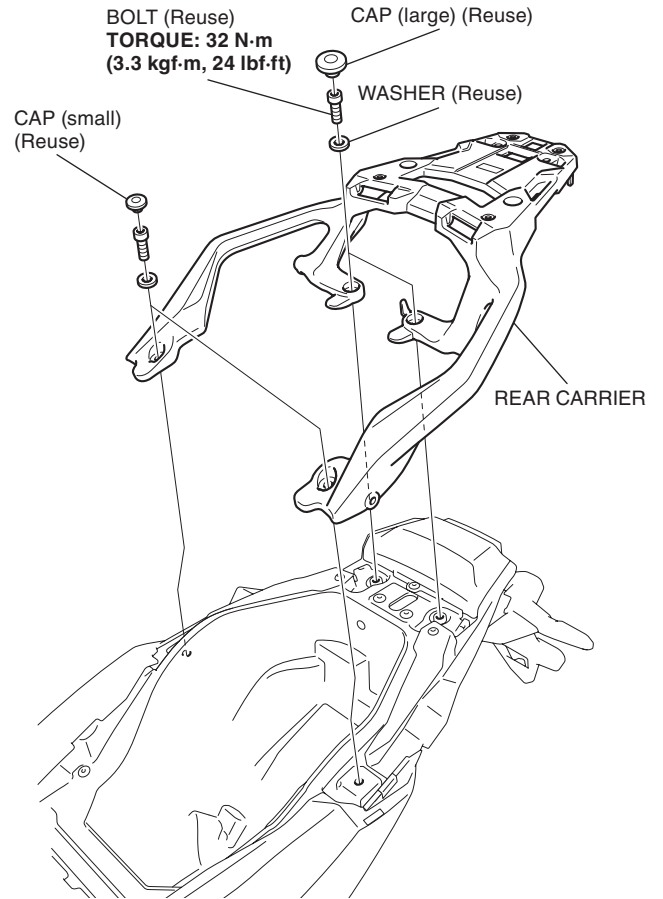
<Left side>



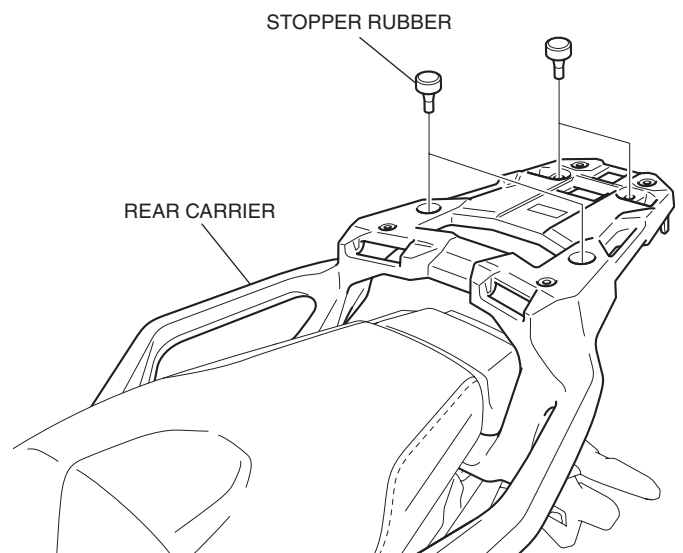
- Attach the protector films to the left rear cowl as shown.



- Install the rear carrier as shown.



- Close the seat.
- Install the stopper rubbers as shown.



9. Install the clips as shown.
- Repeat on the right side.

<Left side>

