



# INSTALLATION INSTRUCTIONS

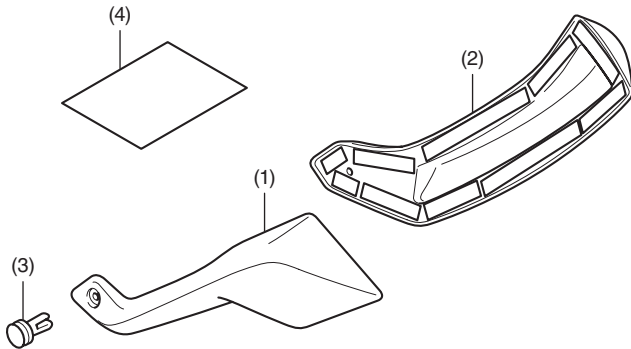
Accessory	Application	Publication No.
<b>FOOT DEFLECTOR P/N 08R70-MKW-D10</b>	<b>NC750XD</b>	<b>MII</b>
		Issue Date
		<b>January 2021</b>

Accessory	Application	Publication No.
<b>FOOT DEFLECTOR P/N 08R70-MKW-D10</b>	<b>NC750XD</b>	<b>MII</b>
		Issue Date
		<b>January 2021</b>

Accessory	Application	Publication No.
<b>FOOT DEFLECTOR P/N 08R70-MKW-D10</b>	<b>NC750XD</b>	<b>MII</b>
		Issue Date
		<b>January 2021</b>

**Honda Dealer: Please give a copy of these instructions to your customer.**

## PARTS LIST



No.	Description	Qty
(1)	Right foot deflector	1
(2)	Left foot deflector	1
(3)	Clip	2
(4)	URL paper	1

## SUPPLIES REQUIRED

- Electric drill
- Drill bit (4 mm)
- Awl
- Scissors
- Isopropyl alcohol
- Shop towel

## TORQUE CHART

Refer to the Service Manual for the torque values of the removed parts.

## INSTALLATION

### ▲ CAUTION

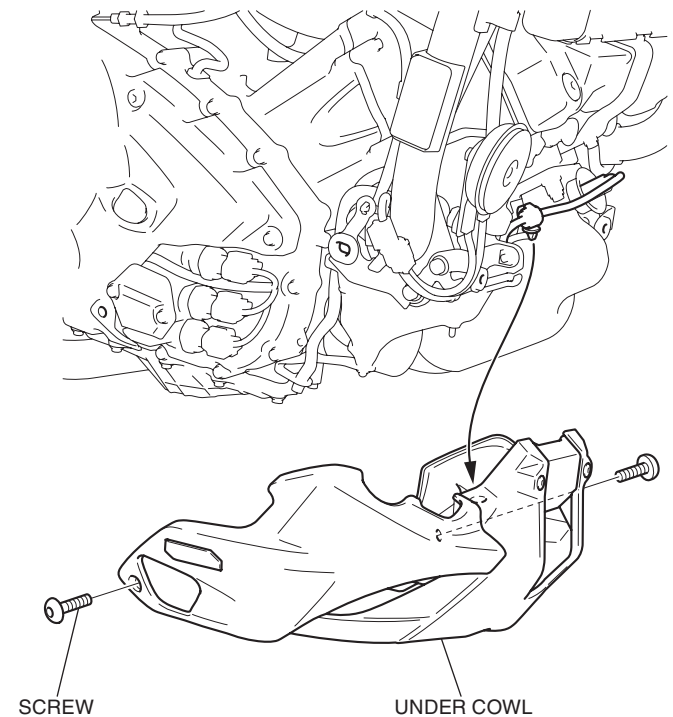
- To prevent burns, allow the engine, exhaust system, radiator, etc., to cool before installing the accessory.

### NOTE:

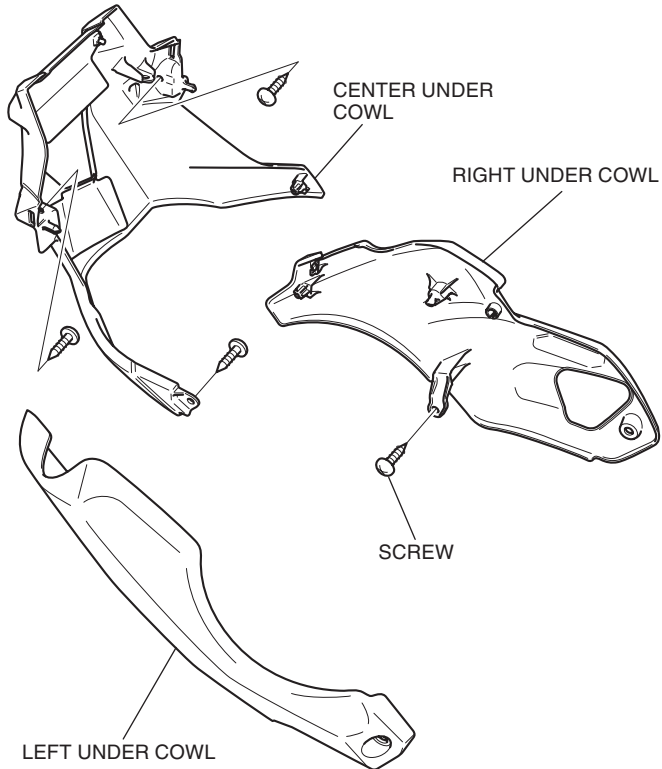
- Heat the bonding surfaces with a hair dryer if the ambient air temperature is below 70°F (21°C).
- The adhesive reaches full strength in 72 hours. Wait at least 24 hours before riding your motorcycle.
- Reinstall the removed parts on the motorcycle and make sure that the wires and harnesses are not pinched.

- Remove the under cowl as shown.

<Right side>

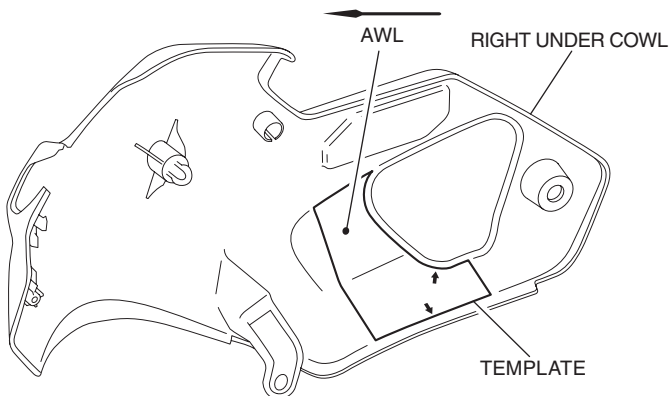


2. Remove the right and left under cowls.

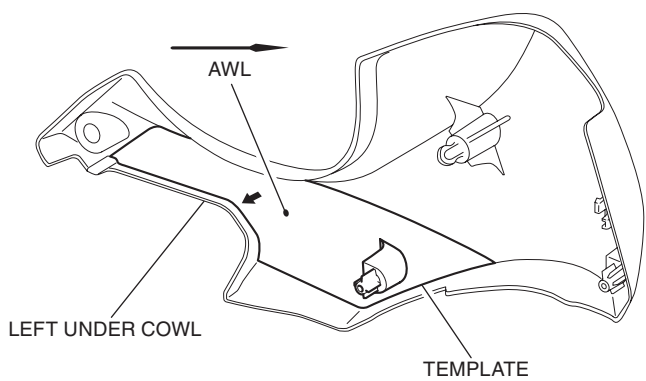


3. Cut and attach the templates to the under cowls and mark them using an awl as shown.

<Right side>



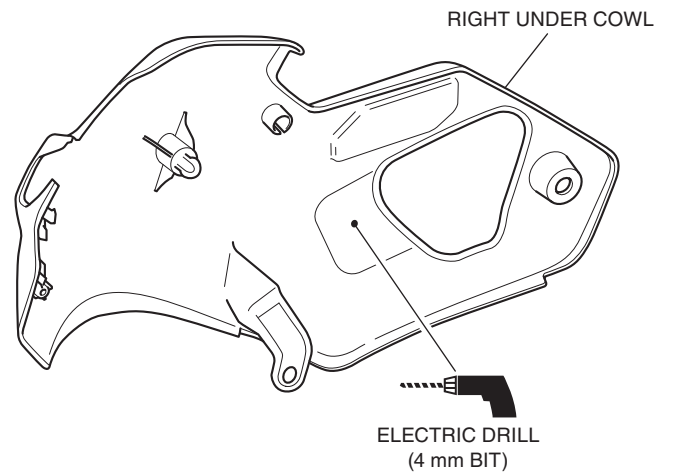
<Left side>



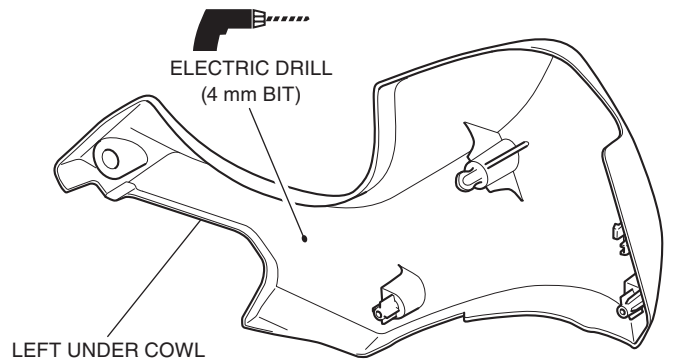
4. Remove the templates. Drill at the marked point shown using an electric drill.

- Remove any burrs from the edge of the hole.

<Right side>



<Left side>

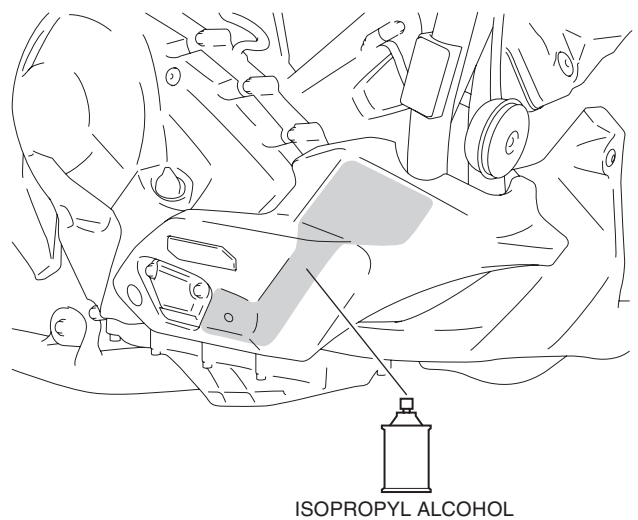


5. Install the right and left under cowls in the reverse order of removal.

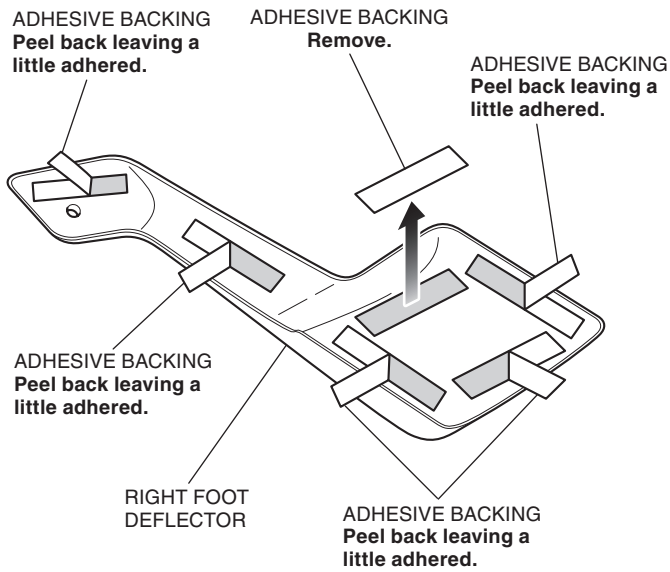
6. Install the under cowl in the reverse order of removal.

7. Clean the surface of the area shown using an isopropyl alcohol.

<Right side>

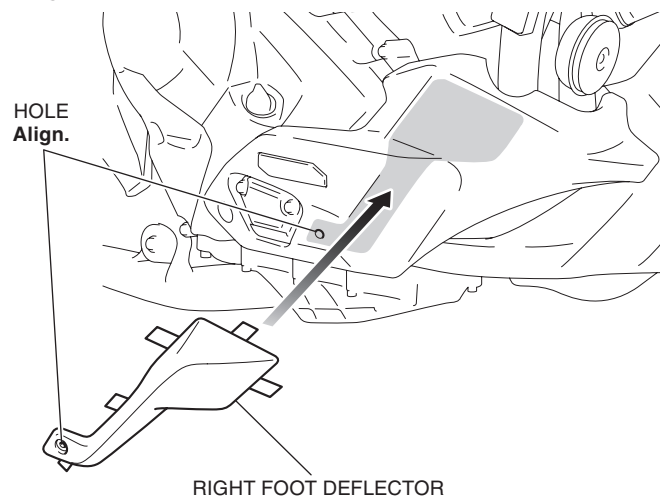


8. Peel off the adhesive backings on the right foot deflector as shown.

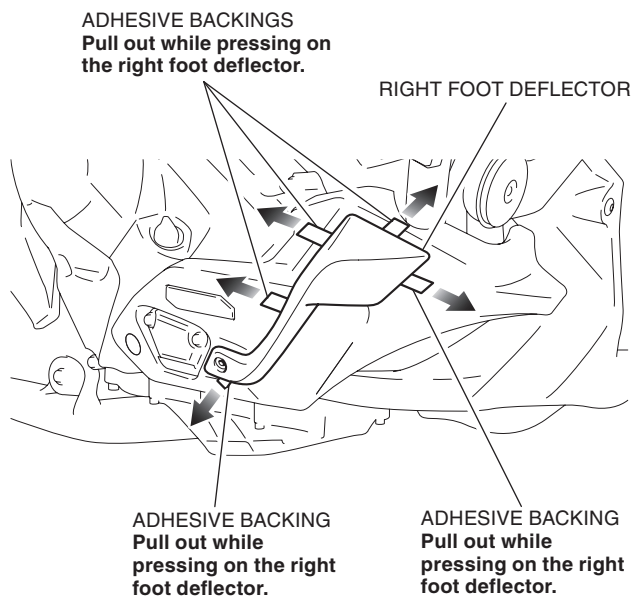


9. Attach the right foot deflector as shown.

<Right side>

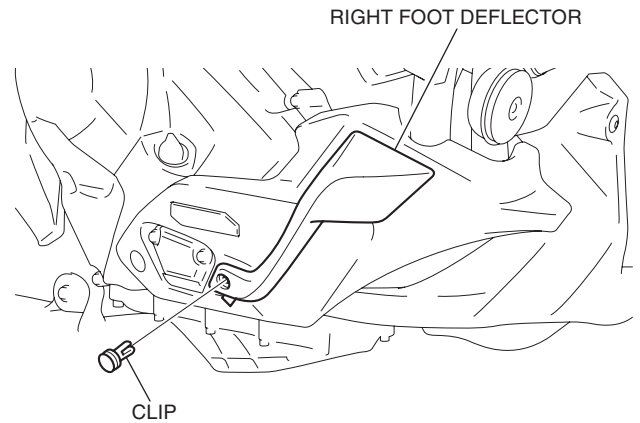


10. Remove the adhesive backings as shown.



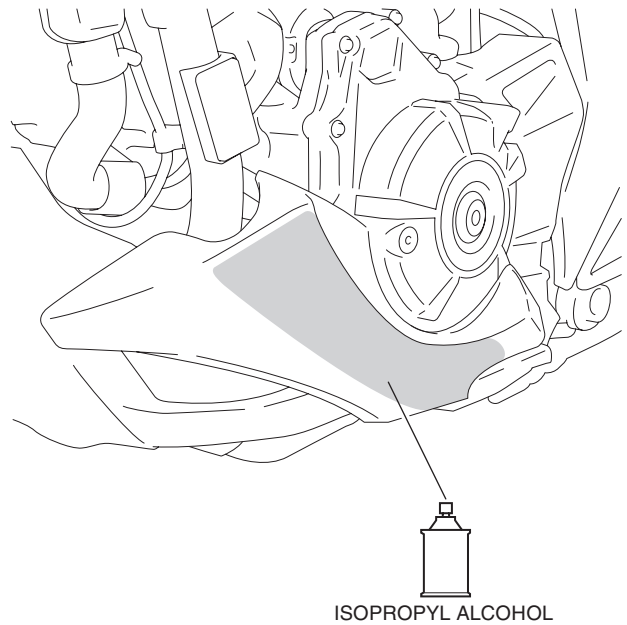
11. Apply adequate pressure to the attached right foot deflector.

12. Install the clip as shown.

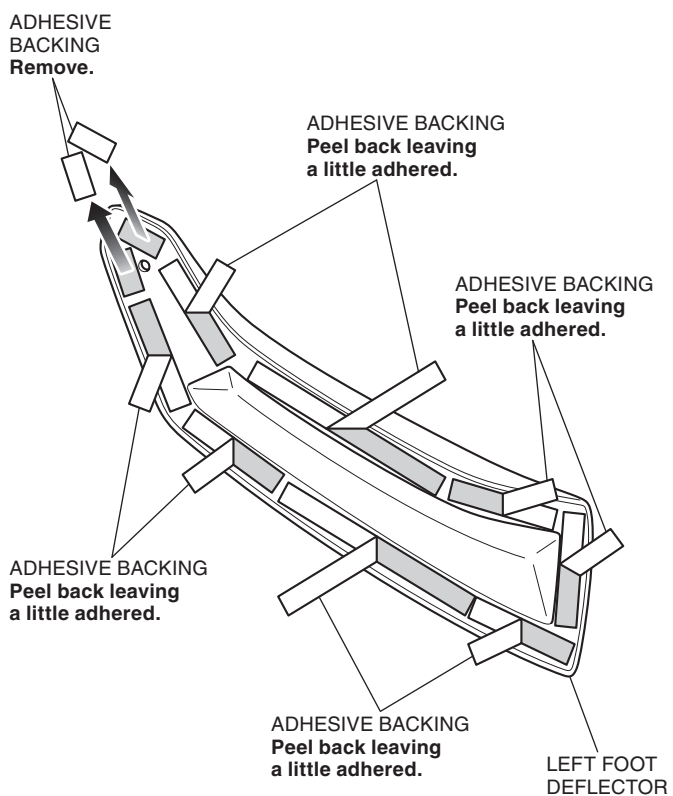


13. Clean the surface of the area shown using an isopropyl alcohol.

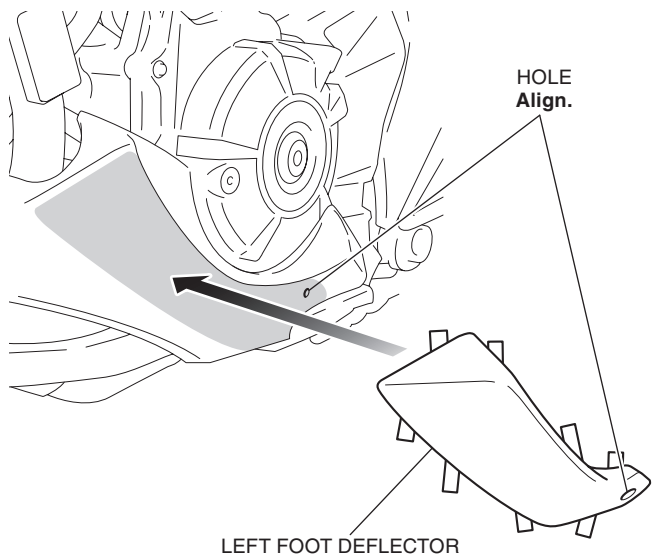
<Left side>



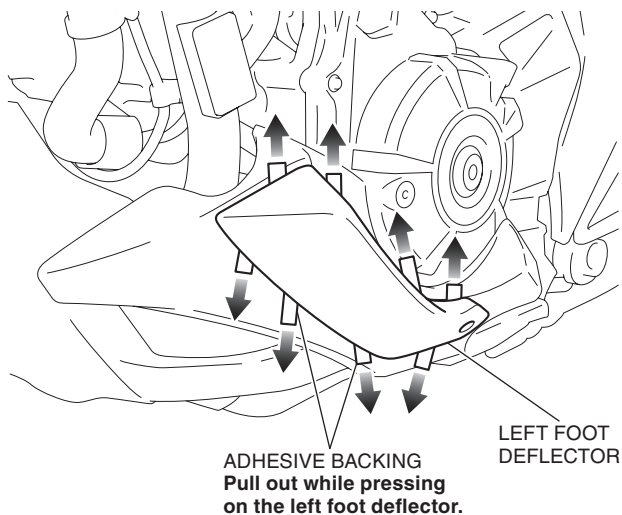
14. Peel off the adhesive backings on the left foot deflector as shown.



15. Attach the left foot deflector as shown.  
<Left side>

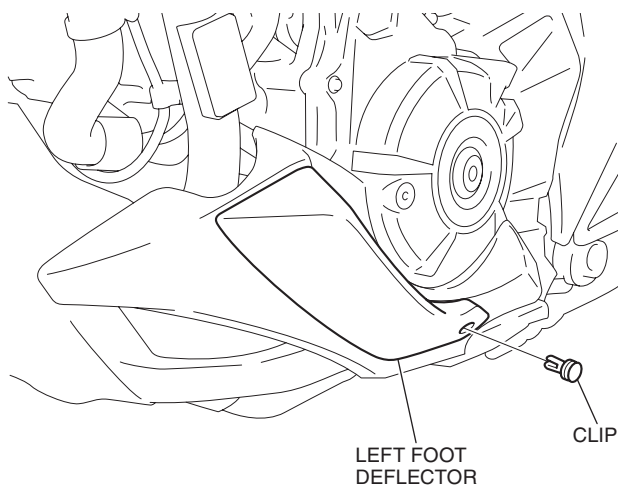


16. Remove the adhesive backings as shown.



17. Apply adequate pressure to the attached left foot deflector.

18. Install the clip as shown.



# <TEMPLATE>

Cut off along the dotted line.

