



# INSTALLATION INSTRUCTIONS

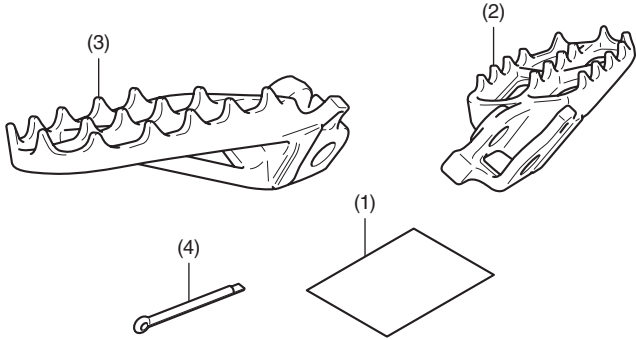
Accessory  
**RALLY STEP**  
P/N 08R79-MKS-E00

Application  
**CRF1100A/A2/A4/D/D2/D4**

Publication No.  
**MII**  
Issue Date  
**April 2021**

**Honda Dealer: Please give a copy of these instructions to your customer.**

## PARTS LIST



No.	Description	Qty
(1)	URL paper	1
(2)	Right rally step arm	1
(3)	Left rally step arm	1
(4)	Split pin	2

## SUPPLIES REQUIRED

Long nose pliers  
Grease

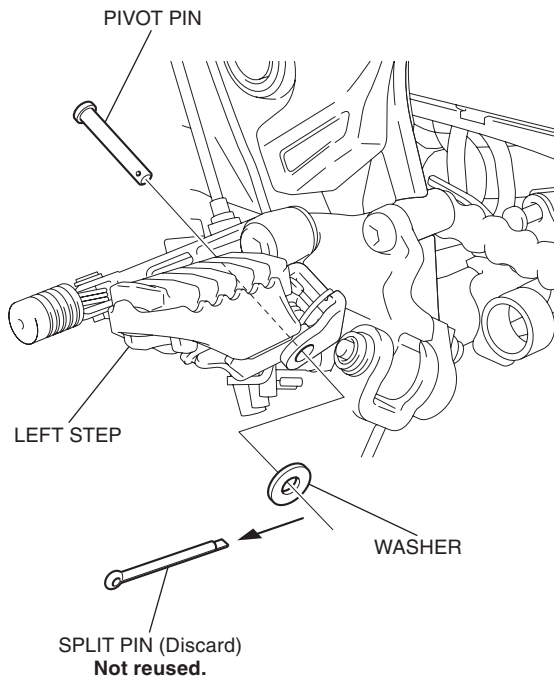
## INSTALLATION

### ▲ CAUTION

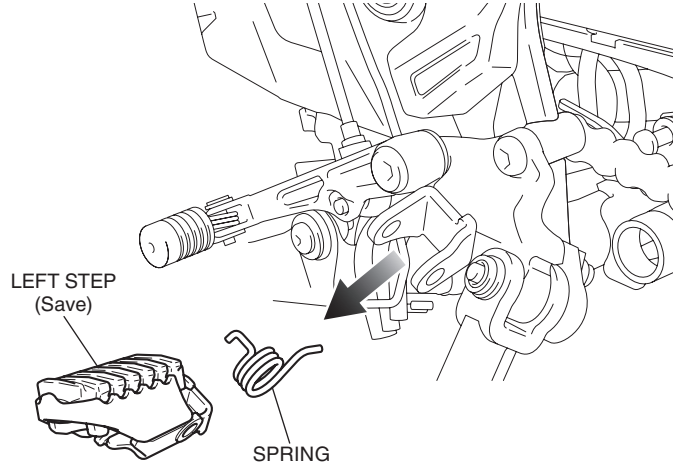
- To prevent burns, allow the engine, exhaust system, radiator, etc., to cool before installing the accessory.

1. Remove the split pin and pivot pin.

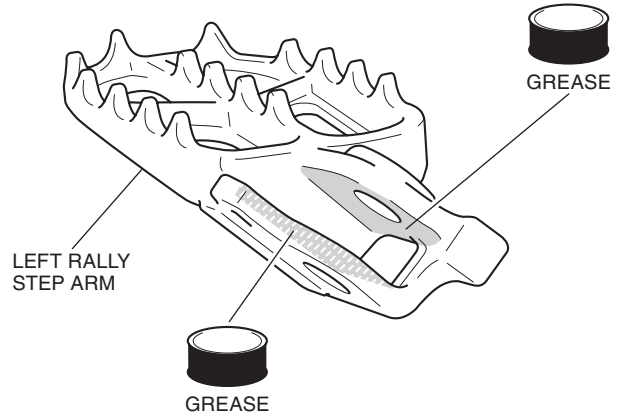
<Left side>



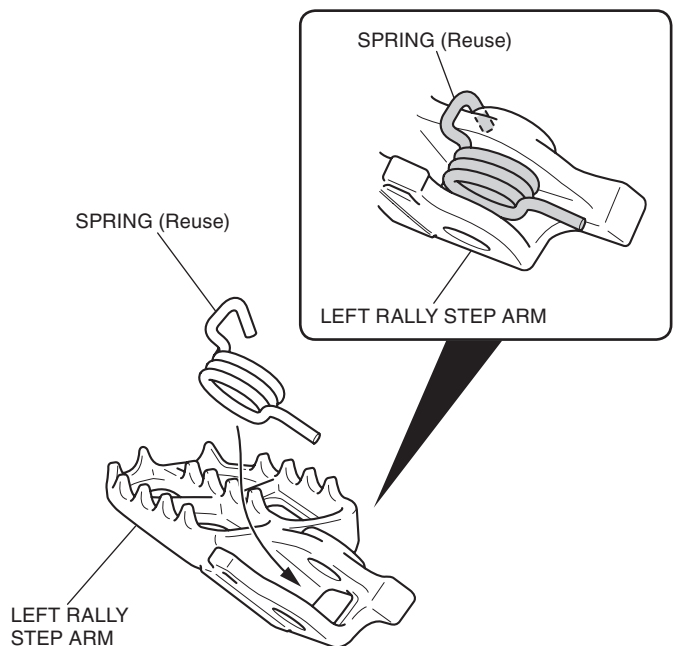
2. Remove the left step as shown.



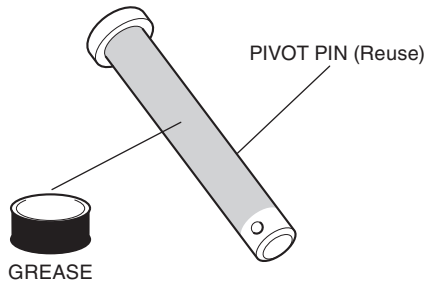
3. Apply grease to the positions shown.



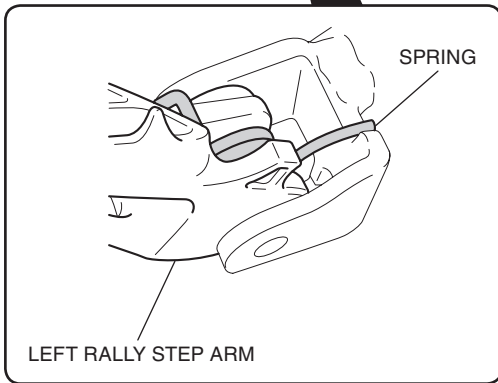
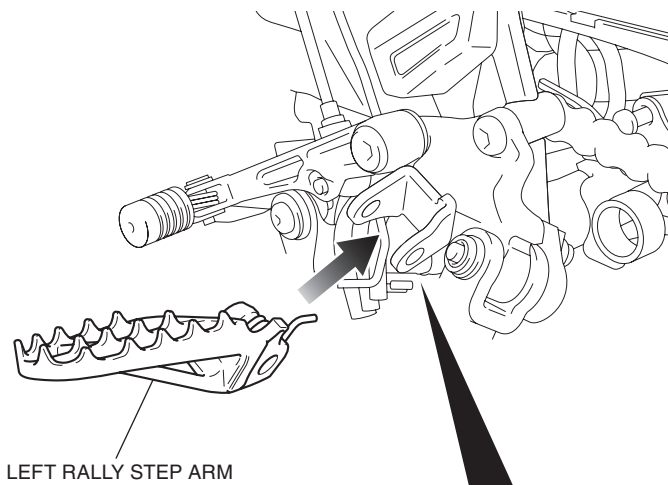
4. Install the spring as shown.



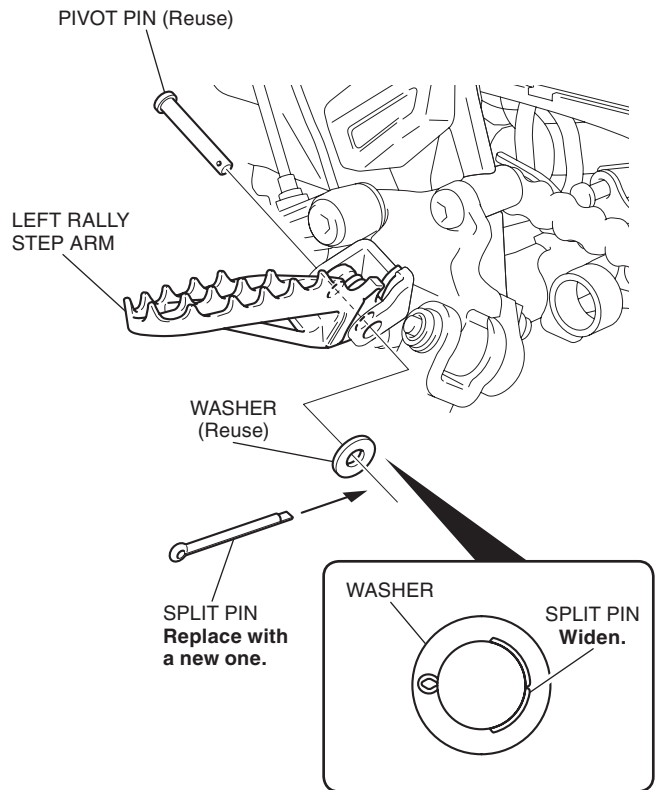
5. Apply grease to the pivot pin as shown.



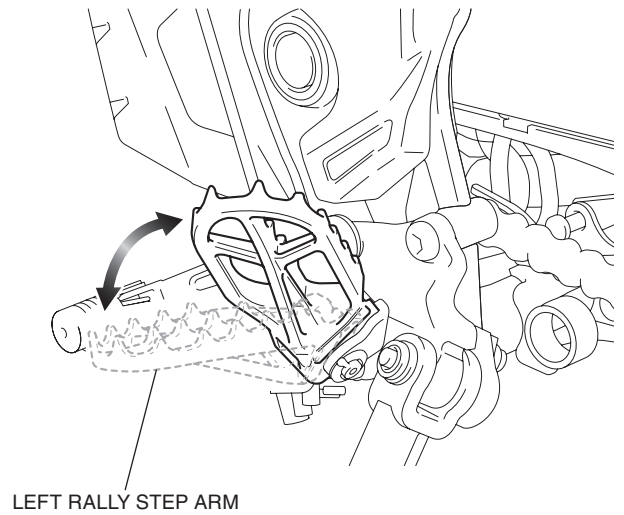
6. Install the left rally step arm as shown.  
<Left side>



7. Install the pivot pin and split pin as shown.



8. Check that the left rally step arm operates smoothly.



9. Install the right rally step arm in the same manner as the left side.