

# PANNIER CASE

Accessory Name	Parts Number	Application Model	Issue Date	Publication No.	FRT
PANNIER CASE	08L72-MKW-D00	NT1100A/D	2021.9	MII	0.5 H
	08M70-MJE-D03				

**Introduction**







ALL INFORMATION, ILLUSTRATIONS, DIRECTIONS AND SPECIFICATIONS INCLUDED IN THIS PUBLICATION ARE BASED ON THE LATEST PRODUCT INFORMATION AVAILABLE AT THE TIME OF APPROVAL FOR PRINTING. Honda Motor Co., Ltd. RESERVES THE RIGHT TO MAKE CHANGES AT ANY TIME WITHOUT NOTICE AND WITHOUT INCURRING ANY OBLIGATION WHATSOEVER. NO PART OF THIS PUBLICATION MAY BE REPRODUCED WITHOUT WRITTEN PERMISSION. THIS MANUAL IS WRITTEN FOR PERSONS WHO HAVE ACQUIRED BASIC KNOWLEDGE OF MAINTENANCE ON Honda MOTORCYCLES, MOTOR SCOOTERS OR ATVS.

Honda Dealer:  
Please give a copy of these instructions to your customer.

Customer:  
Because it requires specialized knowledge and special tools and equipment, it is recommended to install it at a dealer with qualified automobile maintenance.

**How To Read These Symbols**

Your safety, and the safety of others, is very important. To help you make informed decisions we have provided safety messages and other information throughout this manual.

-  **WARNING** You CAN be KILLED or SERIOUSLY HURT if you don't follow instructions.
-  **CAUTION** You CAN be HURT if you don't follow instructions.
-  **NOTICE** The purpose of this message is to help prevent damage to your vehicle, other property, or the environment.
-  **NOTE** Things you want to know, things that are useful to know.
-  Follow the instructions of the Service Manual.
-  Follow the other symbol instructions of the "Installation Instructions BASIC".

Instruction Other Symbols  
The symbols used throughout this instructions show specific service procedures. Refer to "Installation Instructions BASIC" for description of each symbol.

## INFORMATION

### CAUTION

- To prevent burns, allow the engine, exhaust system, radiator, etc., to cool before installing and removing the accessory.

### NOTICE

- Take care not to damage the painted surfaces of the motorcycle.

NOTE:  
• Save all removed parts unless otherwise indicated.

## MAXIMUM LOADING CAPACITY

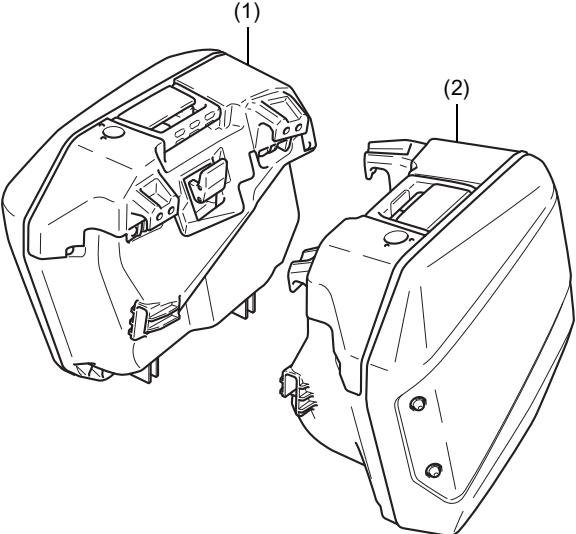
- The weight of the cargo must not exceed the following maximum loading capacity:

Maximum Loading Capacity	
Right pannier case	6.0 kg (13.2 lb)
Left pannier case	6.0 kg (13.2 lb)

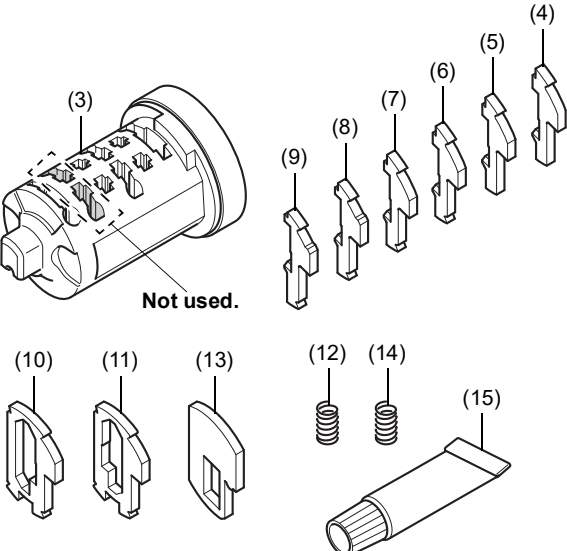
## PARTS LIST

When the instruction manual and installation instructions are included in this kit, be sure to give them to the customer.

### <PANNIER CASE>

Component	No.	Parts Name	Qty	Parts No.
	(1)	Right pannier case	1	08L00-MKW-D00
	(2)	Left pannier case	1	08L12-MKT-D00

### <1 KEY INNER CYLINDER (Wave key type) [2 pieces requires]>

Component	No.	Parts Name	Qty	Parts No.
	(3)	Inner cylinder	1	-
	(4)	No.1 tumbler	6	-
	(5)	No.2 tumbler	6	-
	(6)	No.3 tumbler	6	-
	(7)	No.4 tumbler	6	-
	(8)	No.5 tumbler	6	-
	(9)	No.6 tumbler	6	-
	(10)	Sub-lock tumbler A	1	-
	(11)	Sub-lock tumbler B	1	-
	(12)	Spring (Silver)	13	-
	(13)	Stopper tumbler	2	-
	(14)	Stopper spring (Black)	2	-
	(15)	Grease	1	-

<PANNIER SUPPORT STAY>

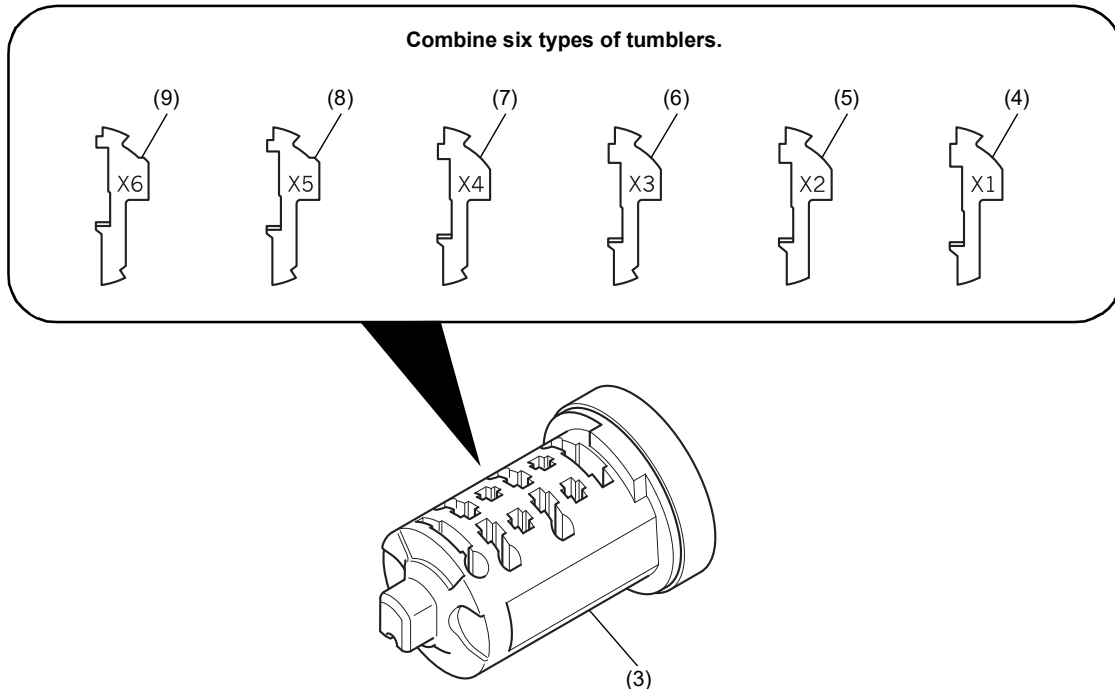
Component	No.	Parts Name	Qty	Parts No.
	(16)	Right pannier bracket	1	-
	(17)	Left pannier bracket	1	-
	(18)	Pannier support stay	2	-
	(19)	Pannier support rubber	2	-
	(20)	8 x 35 mm flange bolt	4	90036-GHB-720
	(21)	8 x 40 mm socket bolt	4	90113-GHB-710
	(22)	Collar	4	54286-074-000
	(23)	6 x 16 mm socket bolt	2	90114-MFL-000
	(24)	8 mm flange nut	4	94050-08080
	<p>For the installation, refer to the Installation Instructions of accessory.</p>			

**TORQUE INFORMATION**


Refer to the Service Manual for the torque values including standard torque of the removed parts. (🔧)

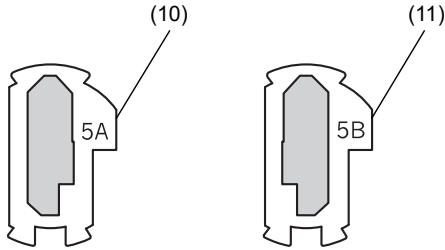
< Notes regarding the key cylinder >

- This product is used to assemble a key cylinder matching the motorcycle key by combining six types of tumblers.
- When this key cylinder is installed in a box or similar equipment, the installed equipment can be operated with the motorcycle key.

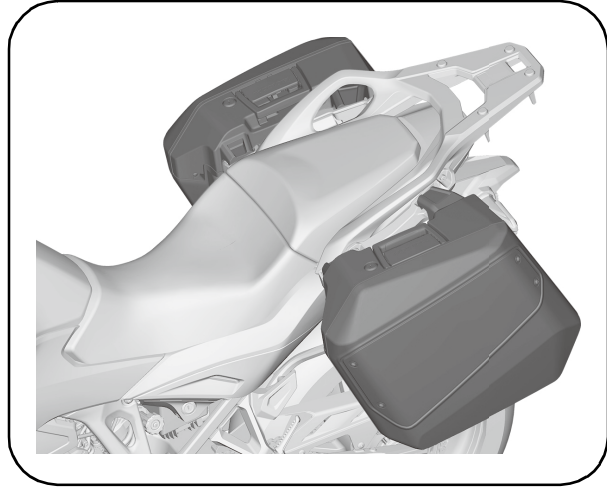


# INSTALLATION

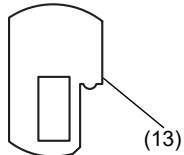
1. The two sub-lock tumbler types shown are provided.
- The  part has a different slot for each of the two sub-lock tumbler types.
  - As the tumblers are small, keep them in the bag until they are used.




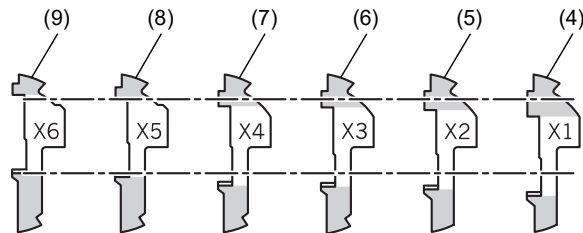
INSTALLATION IMAGE



The stopper tumbler (13) will be used later.

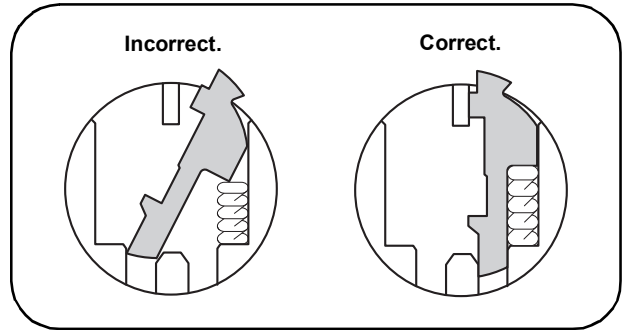
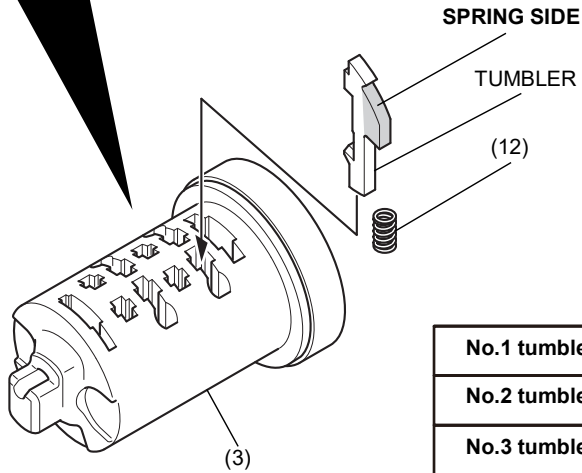
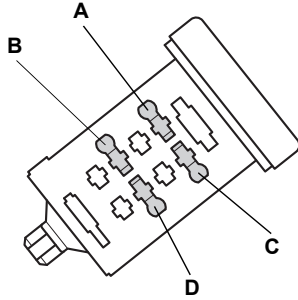


2. The six tumbler types shown are provided.
- The  part has a different width for each of the six tumbler types.
  - As the tumblers are small, keep them in the bag until they are used.



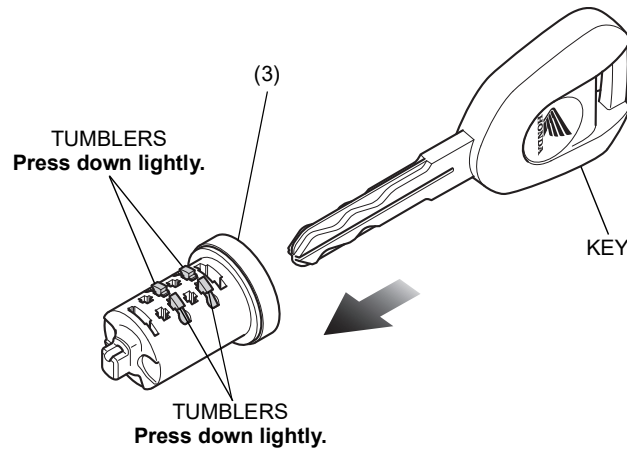
3. Install the tumblers and springs (silver) as shown.
- First install four No.1 tumblers.
  - Note the installed tumbler to below chart.

Insert tumblers and springs at the shaded positions.

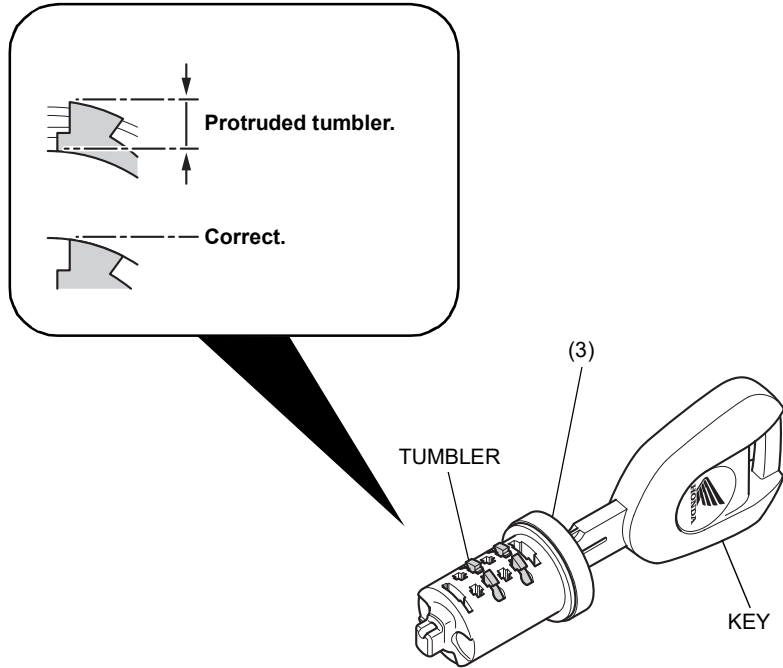


	Position A	Position B	Position C	Position D
No.1 tumbler				
No.2 tumbler				
No.3 tumbler				
No.4 tumbler				
No.5 tumbler				
No.6 tumbler				

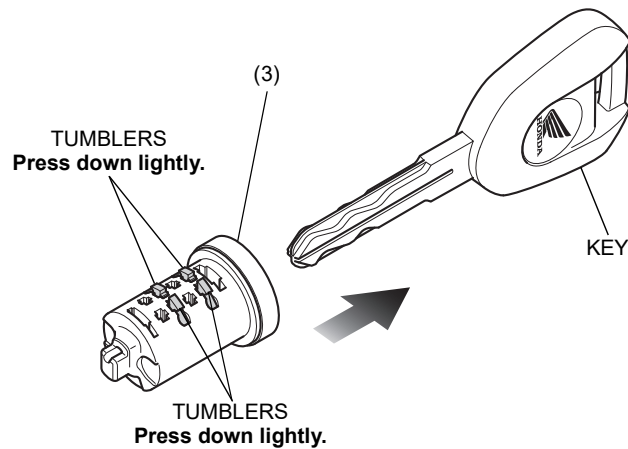
4. Insert the key as shown.
- Lightly press down on the tumblers from above, then insert the key.



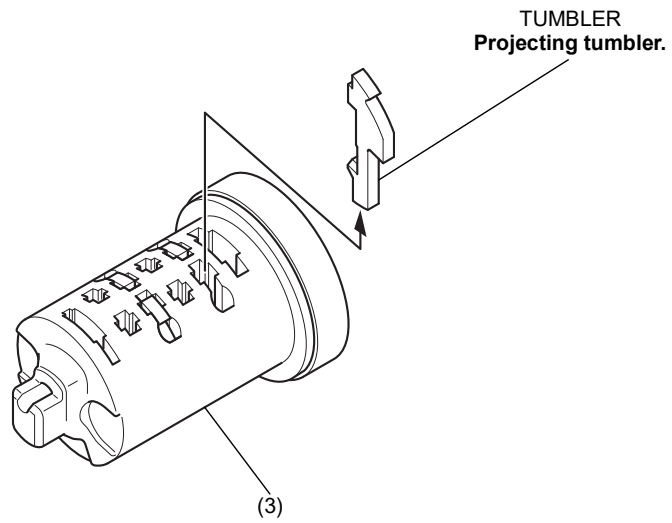
5. Confirm that some tumblers are projecting. Mark the positions of the projected tumblers.
- The positions where tumblers project and the projecting height differ according to the key.



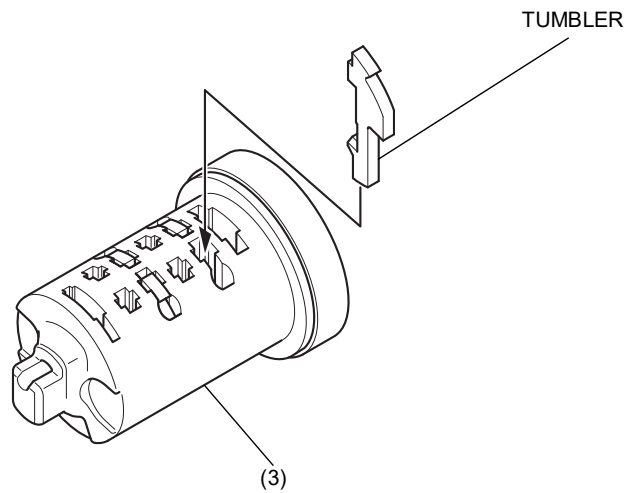
6. Press down lightly on the tumblers, pull the key out.
- The tumbler springs may jump out if the tumblers are not pressed down lightly.



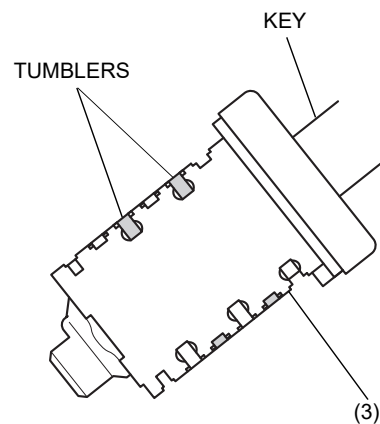
7. Pull out the projecting tumbler(s).  
• Leave the spring(s) installed.



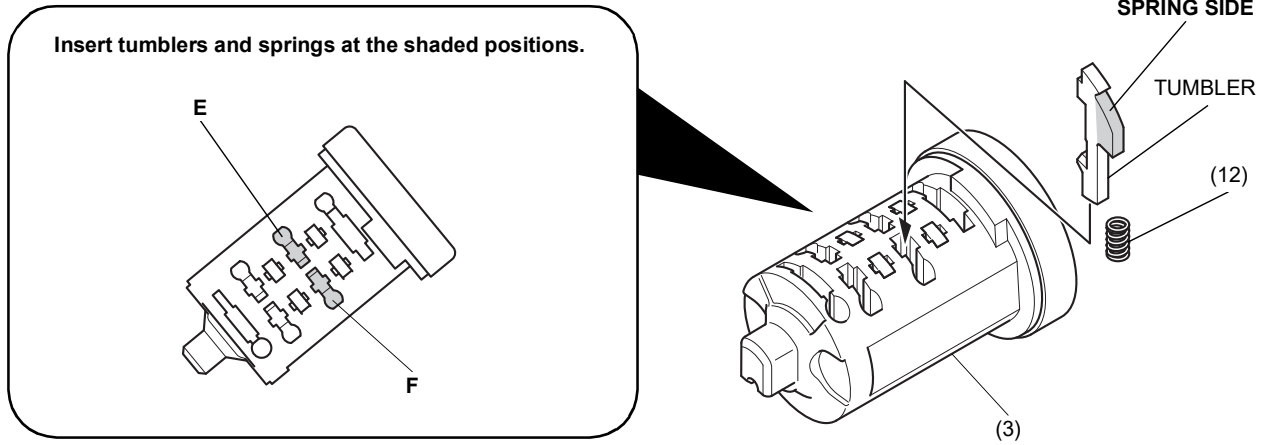
8. Insert a different tumbler(s) at the marked positions.  
• Use a tumbler of next number one stage.



9. Repeat steps 4 to 8, inserting different tumblers at the marked positions until no tumblers are projected.  
• Lightly press down on the tumblers from above, then insert the key.



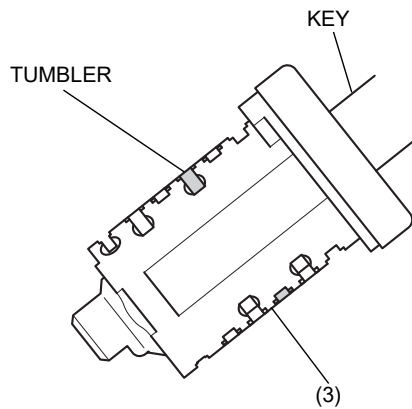
10. Install the tumblers and springs (silver) to the reverse side inner cylinder as shown.  
 • First install two No.1 tumblers.



• Note the installed tumbler to below chart.

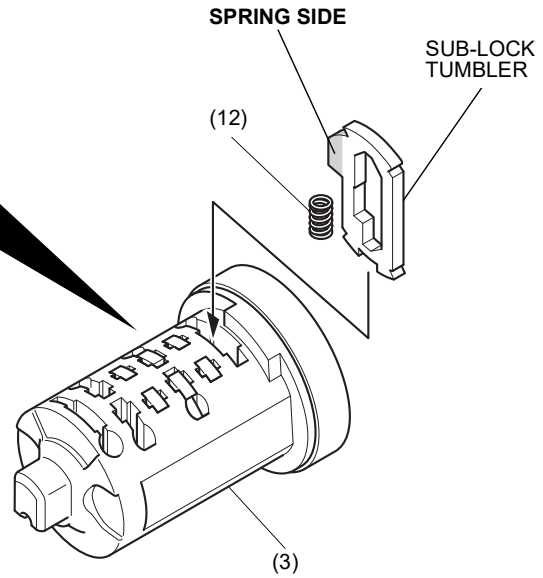
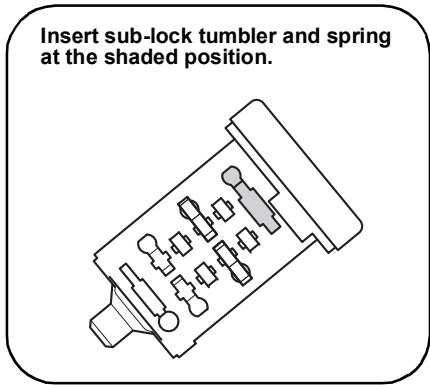
	Position E	Position F
No.1 tumbler		
No.2 tumbler		
No.3 tumbler		
No.4 tumbler		
No.5 tumbler		
No.6 tumbler		

11. Use steps 4 through 8 to assemble the reverse side inner cylinder in the same manner.





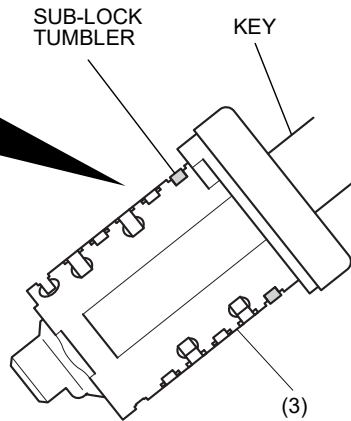
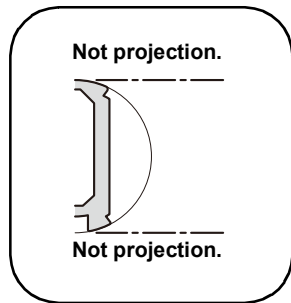
12. Install the sub-lock tumbler as shown.



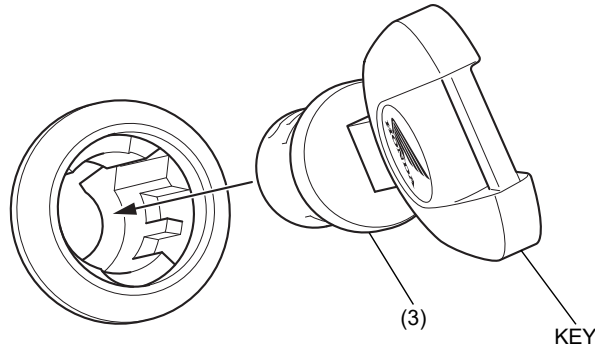
· Note the installed tumbler to below chart.

Sub-lock tumbler A	
Sub-lock tumbler B	

13. Confirm that sub-lock tumbler is not projecting.  
 • If the tumbler is projected, change the another sub-lock tumbler and recheck.

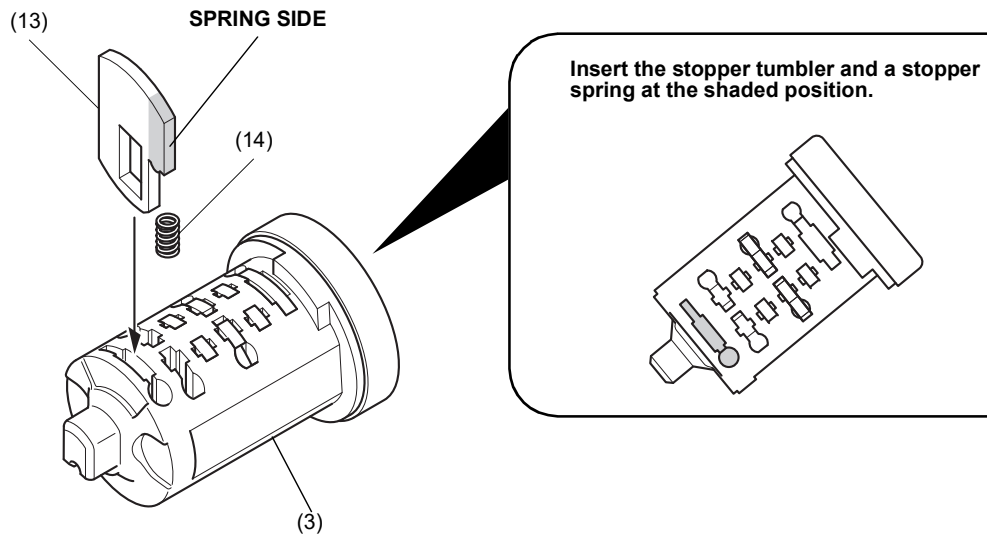


14. Install as shown.
- Confirm the inner cylinder turns clockwise smoothly.

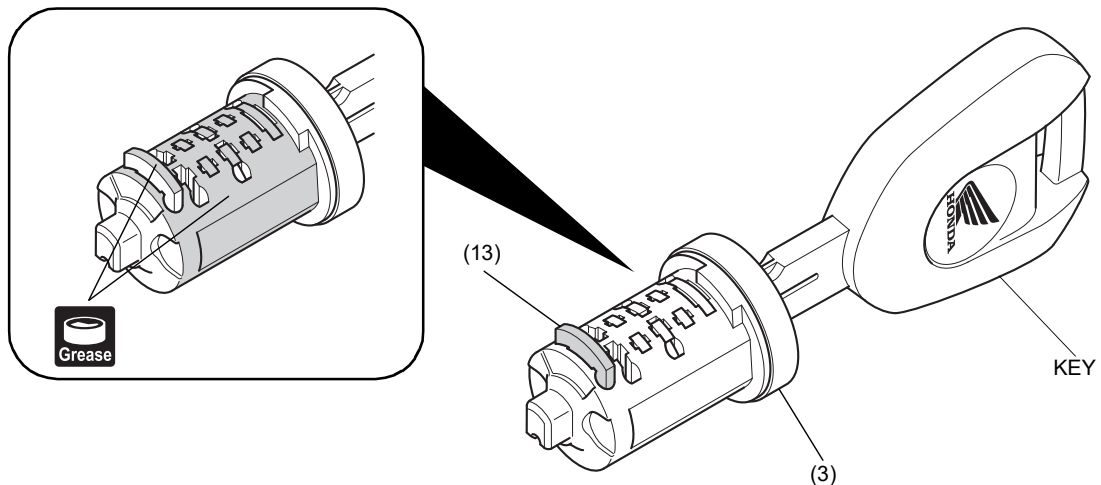


15. Pull out the inner cylinder (3), and press down lightly on the tumblers and pull out the key.

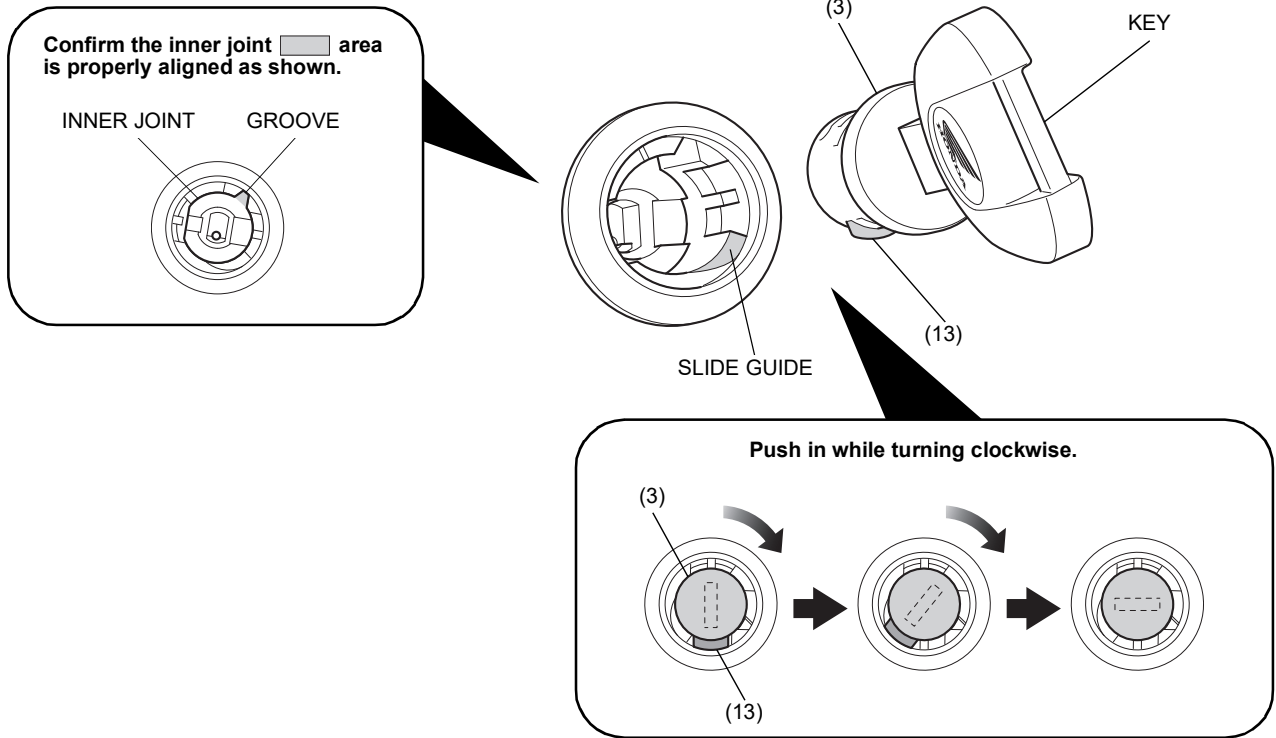
16. Install as shown.



17. Insert the key as shown.
- Lightly press down on the tumblers from above, then insert the key.
  - Confirm that the stopper tumbler jumps out.



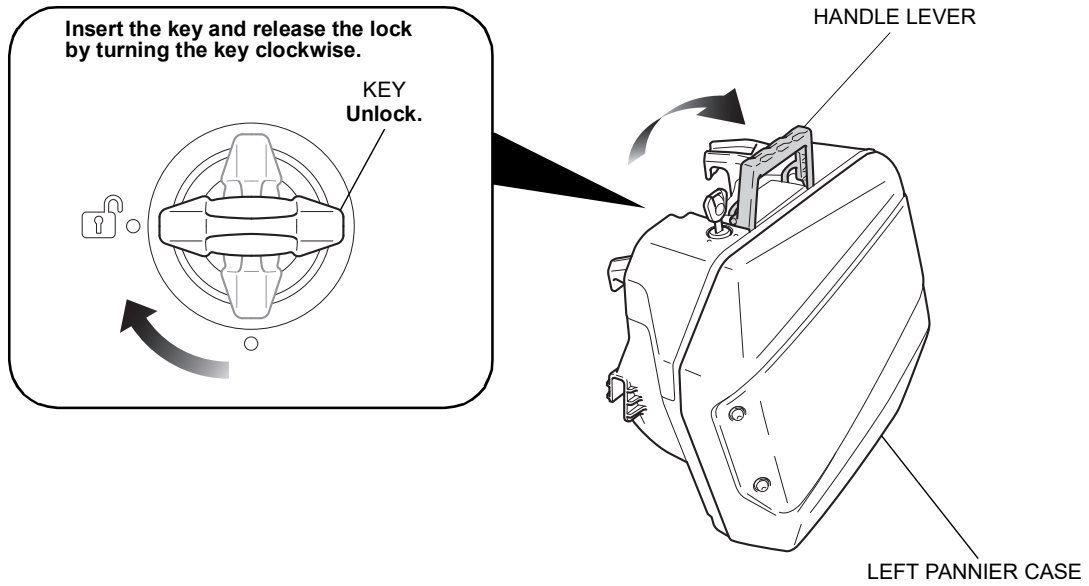
18. Install as shown.
- If the inner cylinder cannot be inserted, again confirm that no tumblers other than the stopper tumbler have jumped out.



19. Draw out the key and check that the inner cylinder does not come out.
20. Install the inner cylinder to another pannier case in the same manner.
21. Refer to the installation instruction manual for the pannier support stay, install the pannier support stay.

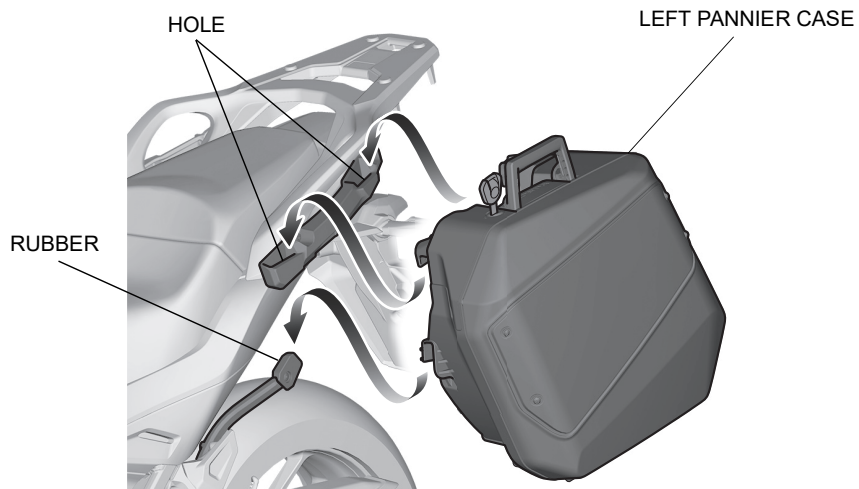
## How to install the pannier case

1. Raise the handle lever as shown.

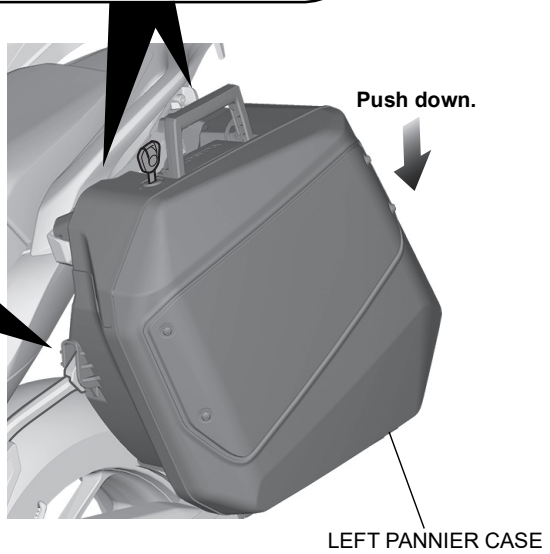
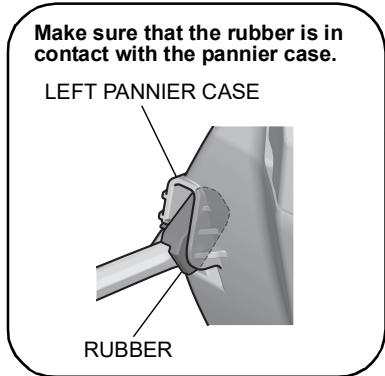
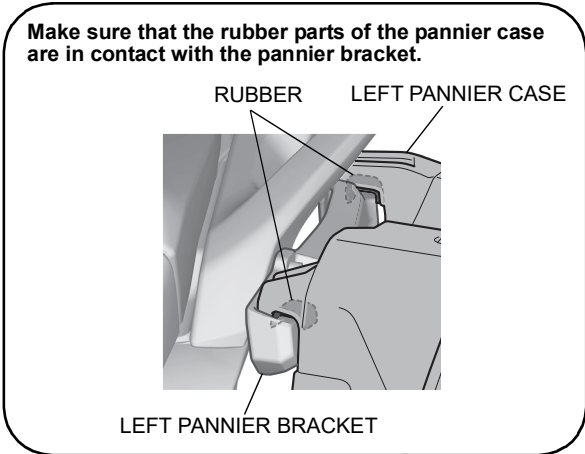


2. Install as shown.

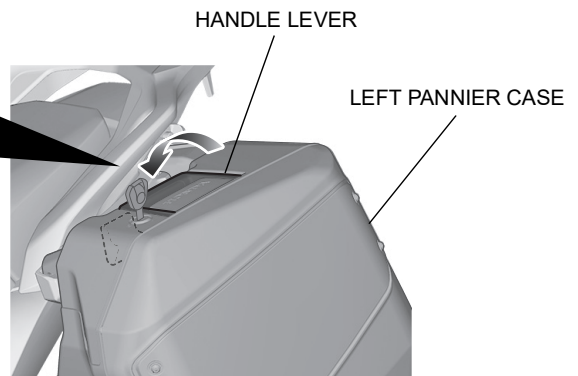
· First engage at the rubber and then install at the two holes.



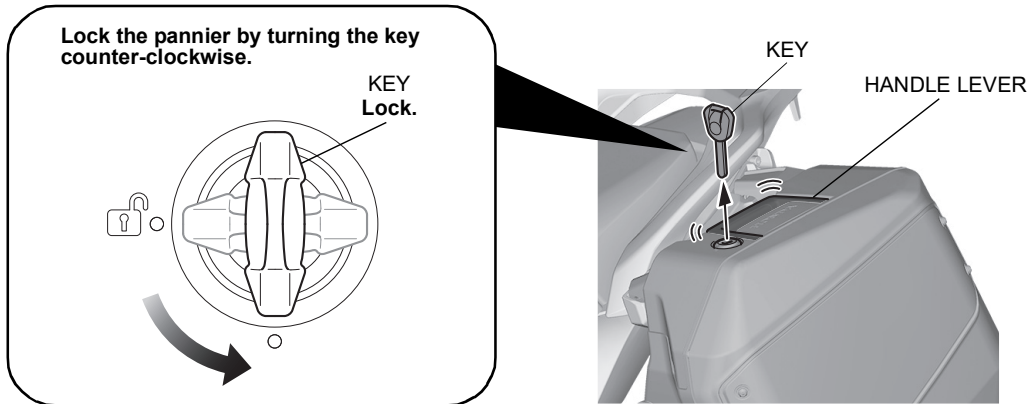
3. Push down as shown.



4. Lower the handle lever as shown.

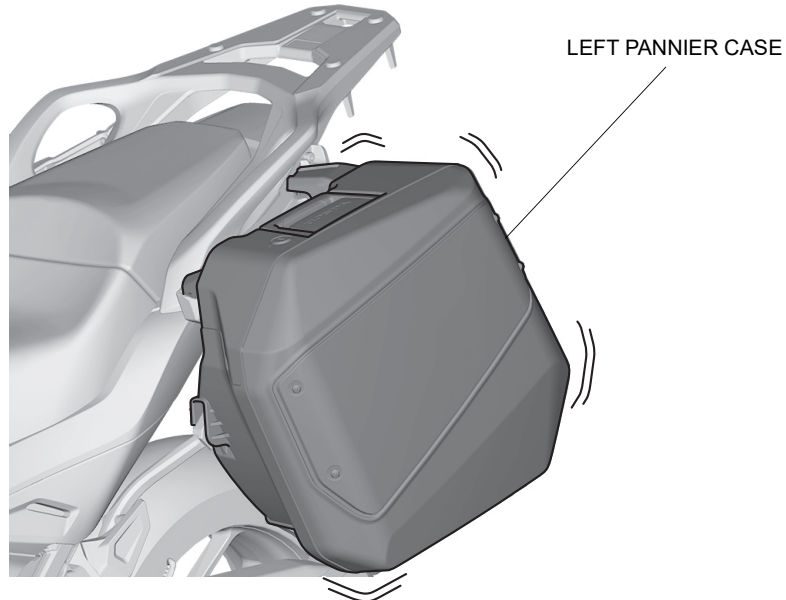


5. Remove the key. Be sure that the handle lever cannot be released.



6. Check that the left pannier case is installed securely by swinging the left pannier case taking care not to fall the motorcycle down.

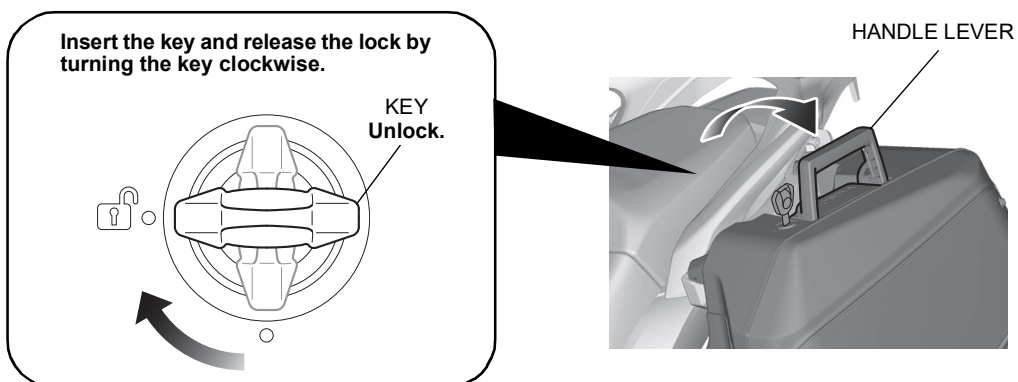
- Make sure that the rubber parts and hook are installed securely.
- The left pannier case can come off during riding unless it is mounted securely.



7. Install the right pannier case in the same manner as the left side.

## How to remove the pannier case

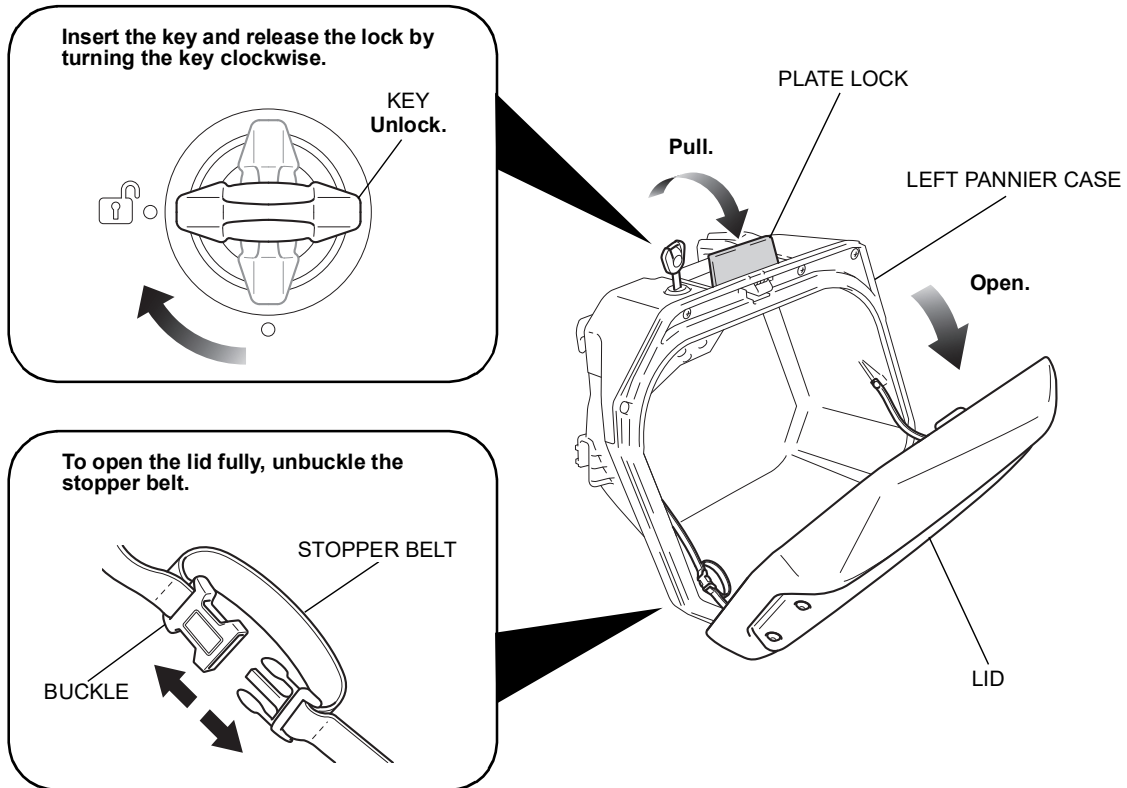
1. Raise the handle lever as shown.



2. Remove the pannier case in the reverse order of installation.

## How to open the pannier case

1. Pull the plate lock to open the lid as shown.



## How to close the pannier case

1. Close and lock the pannier case in reverse order of opening.
  - Be careful not to have the stored item pinched when the pannier case is closed.
  - Be careful not to pinch the stopper belt when the lid is closed.

## How to store the pannier inner bag

1. Open the pannier case and store the pannier inner bag.
2. Close the pannier case.
  - Be careful not to have the stored item pinched when the pannier case is closed.