

## PANNIER PANEL (ALUMINUM)

Accessory Name	Parts Number	Application Model	Issue Date	Publication No.	FRT
PANNIER PANEL (ALUMINUM)	08L80-MKT-D00	NT1100A/D	2021.9	MII	0.3 H

### Introduction

ALL INFORMATION, ILLUSTRATIONS, DIRECTIONS AND SPECIFICATIONS INCLUDED IN THIS PUBLICATION ARE BASED ON THE LATEST PRODUCT INFORMATION AVAILABLE AT THE TIME OF APPROVAL FOR PRINTING. Honda Motor Co., Ltd. RESERVES THE RIGHT TO MAKE CHANGES AT ANY TIME WITHOUT NOTICE AND WITHOUT INCURRING ANY OBLIGATION WHATSOEVER. NO PART OF THIS PUBLICATION MAY BE REPRODUCED WITHOUT WRITTEN PERMISSION. THIS MANUAL IS WRITTEN FOR PERSONS WHO HAVE ACQUIRED BASIC KNOWLEDGE OF MAINTENANCE ON Honda MOTORCYCLES, MOTOR SCOOTERS OR ATVS.

Honda Dealer:







Please give a copy of these instructions to your customer.

Customer:

Because it requires specialized knowledge and special tools and equipment, it is recommended to install it at a dealer with qualified automobile maintenance.

### How To Read These Symbols

Your safety, and the safety of others, is very important. To help you make informed decisions we have provided safety messages and other information throughout this manual.

-  **WARNING** You CAN be KILLED or SERIOUSLY HURT if you don't follow instructions.
-  **CAUTION** You CAN be HURT if you don't follow instructions.
-  **NOTICE** The purpose of this message is to help prevent damage to your vehicle, other property, or the environment.
-  **NOTE** Things you want to know, things that are useful to know.
-  Follow the instructions of the Service Manual.
-  Follow the other symbol instructions of the "Installation Instructions BASIC".

### Instruction Other Symbols

The symbols used throughout this instructions show specific service procedures. Refer to "Installation Instructions BASIC" for description of each symbol.

## INFORMATION

### CAUTION

- To prevent burns, allow the engine, exhaust system, radiator, etc., to cool before installing the accessory.

### NOTICE

- *Take care not to damage the painted surfaces of the motorcycle.*

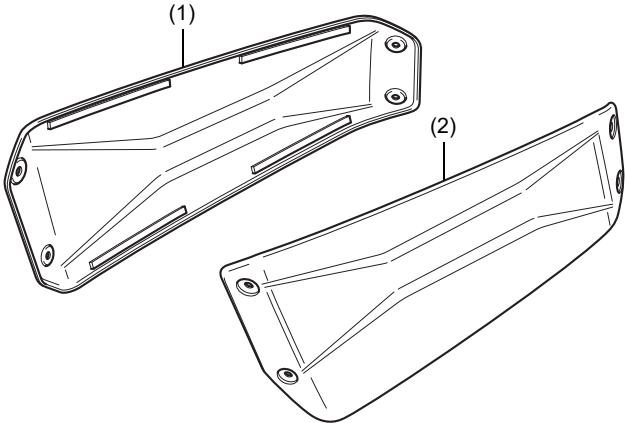
### NOTE:

- Heat the bonding surfaces with a hair dryer if the ambient air temperature is below 21°C (70°F).
- The adhesive reaches full strength in 72 hours. Wait at least 24 hours before riding your motorcycle.
- Save all removed parts unless otherwise indicated.

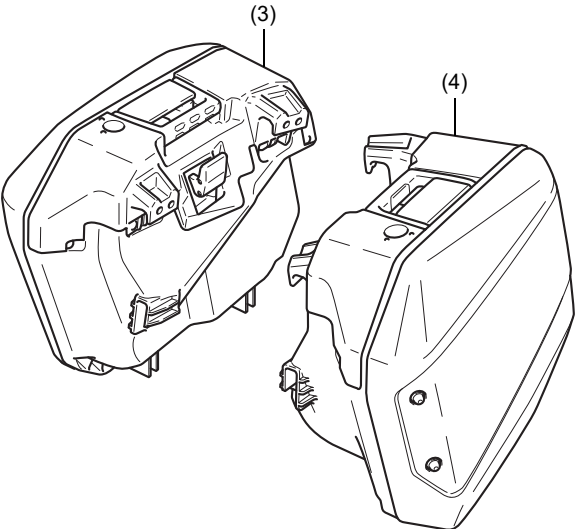
## PARTS LIST

When the instruction manual and installation instructions are included in this kit, be sure to give them to the customer.

### <PANNIER PANEL (ALUMINUM)>

Component	No.	Parts Name	Qty	Parts No.
	(1)	Right pannier panel	1	-
	(2)	Left pannier panel	1	-

### <PANNIER CASE>

Component	No.	Parts Name	Qty	Parts No.
 <p>For the installation, refer to the Installation Instructions of accessory.</p>	(3)	Right pannier case	1	08L00-MKW-D00
	(4)	Left pannier case	1	08L12-MKT-D00

## TORQUE INFORMATION

Refer to the Service Manual for the torque values including standard torque of the removed parts. (🔧)

# INSTALLATION

1. Open the left pannier case lid, then remove the parts as shown.

The diagram shows a perspective view of the left pannier case lid with several hardware components being removed. Labels point to a LID NUT, O-RING, WASHER, and SCREW. The lid itself is labeled 'LEFT PANNIER CASE LID'. To the right, an inset image titled 'INSTALLATION IMAGE' shows the case lid with a dark, rectangular panel attached to its front face.

2. Install as shown.

- Align the left pannier panel with the shape of the left pannier case lid.

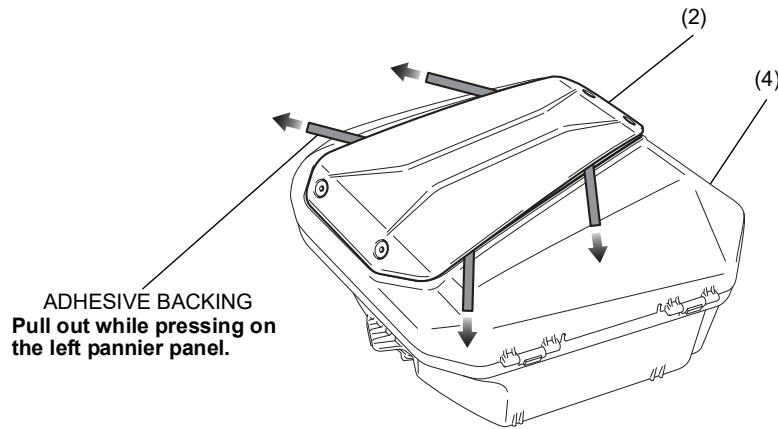
The diagram illustrates the application of the left pannier panel. A dark panel is shown being aligned with the case lid. A label 'ADHESIVE BACKING' points to the back of the panel, with the instruction 'Peel back leaving a little adhered.' A large arrow indicates the panel being pressed onto the lid. A small icon of a bottle is shown next to the panel. Circled numbers (2) and (4) are placed near the panel and lid respectively.

3. Temporarily set the screws to check the correct position of the attached left pannier panel. Remove the temporarily installed screws.

- If the position is incorrect, return to the step 2 immediately.

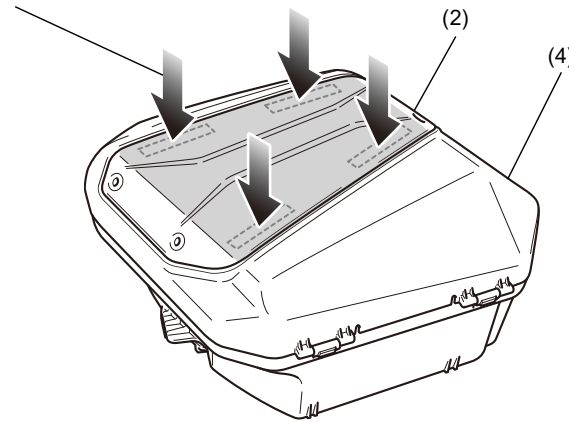
The diagram shows the case lid with the panel attached. A screw is being inserted into a hole on the side of the lid to temporarily secure the panel. A label points to the screw with the text 'SCREW Reuse. Temporarily set.' A circled number (4) is also present near the lid.

4. Remove the adhesive backings while pressing on the left pannier panel firmly with the palm.

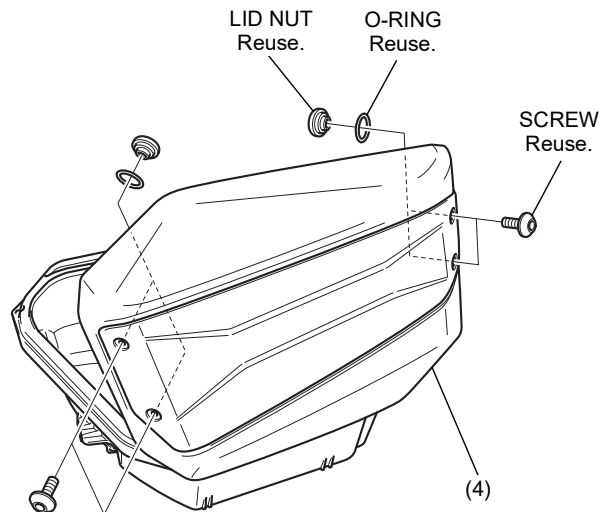


5. Applying adequate pressure of 5 kgf (50 N) to the attached left pannier panel, and then release the adequate pressure and leave the left pannier panel for 10 minutes to stabilize the fitting of the adhesive surface.

Applying adequate  
pressure of 5kgf (50N).



6. Install as shown.



7. Install the right pannier panel in the same manner as the left side.