

FOGLIGHT

Accessory Name	Parts Number	Application Model	Issue Date	Publication No.	FRT
FOGLIGHT	08V70-MLF-E00	NT1100A/D	2021.9	MII	1.0 H
	08V73-MKS-E00				

Introduction

ALL INFORMATION, ILLUSTRATIONS, DIRECTIONS AND SPECIFICATIONS INCLUDED IN THIS PUBLICATION ARE BASED ON THE LATEST PRODUCT INFORMATION AVAILABLE AT THE TIME OF APPROVAL FOR PRINTING. Honda Motor Co., Ltd. RESERVES THE RIGHT TO MAKE CHANGES AT ANY TIME WITHOUT NOTICE AND WITHOUT INCURRING ANY OBLIGATION WHATSOEVER. NO PART OF THIS PUBLICATION MAY BE REPRODUCED WITHOUT WRITTEN PERMISSION. THIS MANUAL IS WRITTEN FOR PERSONS WHO HAVE ACQUIRED BASIC KNOWLEDGE OF MAINTENANCE ON Honda MOTORCYCLES, MOTOR SCOOTERS OR ATVS.

Honda Dealer:







Please give a copy of these instructions to your customer.

Customer:

Because it requires specialized knowledge and special tools and equipment, it is recommended to install it at a dealer with qualified automobile maintenance.

How To Read These Symbols

Your safety, and the safety of others, is very important. To help you make informed decisions we have provided safety messages and other information throughout this manual.

-  **WARNING** You CAN be KILLED or SERIOUSLY HURT if you don't follow instructions.
-  **CAUTION** You CAN be HURT if you don't follow instructions.
-  **NOTICE** The purpose of this message is to help prevent damage to your vehicle, other property, or the environment.
-  **NOTE** Things you want to know, things that are useful to know.
-  Follow the instructions of the Service Manual.
-  Follow the other symbol instructions of the "Installation Instructions BASIC".

Instruction Other Symbols

The symbols used throughout this instructions show specific service procedures. Refer to "Installation Instructions BASIC" for description of each symbol.

INFORMATION

CAUTION

- To prevent burns, allow the engine, exhaust system, radiator, etc., to cool before installing the accessory.

NOTICE

- Take care not to damage the painted surfaces of the motorcycle.

NOTE:

- Reinstall the removed parts on the motorcycle and make sure that the wires and harnesses are not pinched.
- Disconnect the negative (-) cable from the battery before installing this accessory.
- The clock memory will be erased when you disconnect the battery. Reset the clock after reconnecting the battery.
- Trim the excess ends off the wire ties after attaching them to the wire harnesses. Do not allow the cut part of the wire tie to interfere with another harness or brake hose.
- Setting is necessary after installing this accessory.
- Save all removed parts unless otherwise indicated.

PARTS LIST

When the instruction manual and installation instructions are included in this kit, be sure to give them to the customer.

<FRONT FOG ATTACHMENT>

Component	No.	Parts Name	Qty	Parts No.
	(1)	Right fog mount stay	1	-
	(2)	Left fog mount stay	1	-
	(3)	Muffler packing	1	11533-MN5-300
	(4)	Right fog stay A	1	-
	(5)	Right fog stay B	1	-
	(6)	Left fog stay A	1	-
	(7)	Left fog stay B	1	-
	(8)	Foglight cover	2	-
	(9)	Foglight cap	2	-
	(10)	6 mm collar	2	50631-MGS-D30
	(11)	6 x 16 mm bolt	2	90116-MAS-E00
	(12)	6 mm nut	2	94001-06200-0S
	(13)	Setting washer	4	90413-369-690
	(14)	6 mm washer	4	94101-06000
	(15)	6 x 8 mm screw	4	93500-06008-0B
	(16)	6 x 10mm flange bolt	2	96001-06010-00
	(17)	6 x 16 mm screw	4	90114-MFL-000
	(18)	Exhaust pipe gasket	2	18291-MM8-880
	(19)	8 mm flange cap nut	2	90208-438-000
	(20)	6 mm flange nut	6	94050-06080
	(21)	8 x 18 mm flange bolt	2	96300-08018-08
	(22)	6 x 18 mm flange bolt	2	96300-06018-00
	(23)	Right foglight rubber	1	-
	(24)	Left foglight rubber	1	-
	(25)	Wire tie	4	83645-GG0-000
	(26)	Right guard bracket	1	-
	(27)	Left guard bracket	1	-
	(28)	Engine guard spacer	2	-
	(29)	8 x 95 mm flange bolt	2	90036-GHB-850
	(30)	8 mm flange nut	2	90305-MKS-E00
Set Parts				
Parts No.			Applicable No.	
08V02-MJP-G50			(8), (9)	

<FRONT FOGLIGHT>

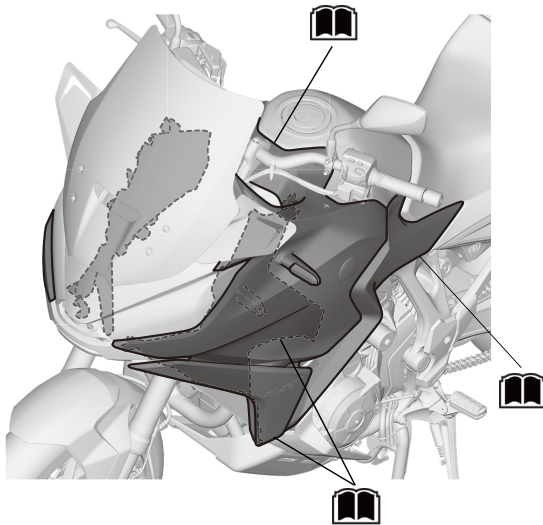
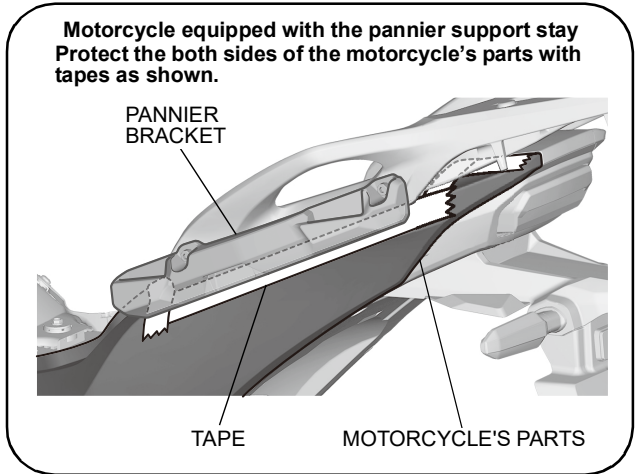
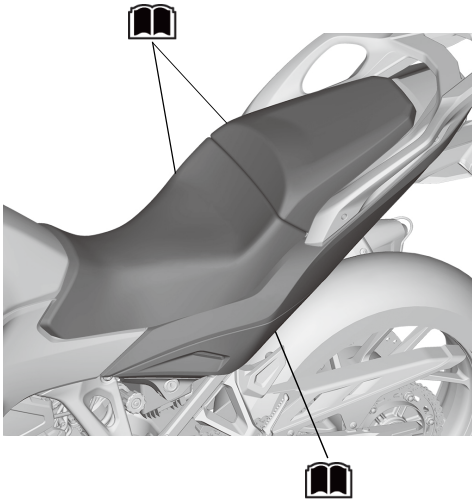
Component	No.	Parts Name	Qty	Parts No.
	(31)	Front foglight	2	-

TORQUE INFORMATION

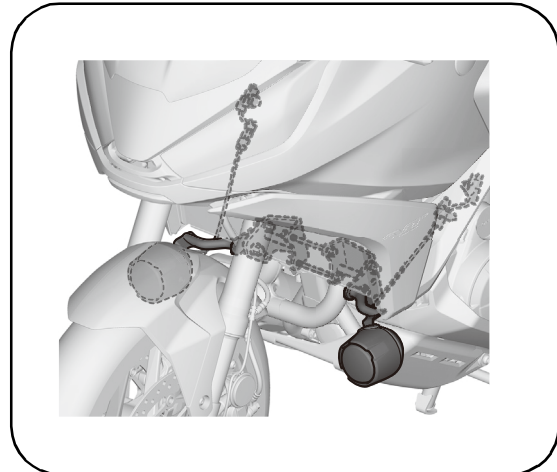
Refer to the Service Manual for the torque values including standard torque of the removed parts. (📖)

INSTALLATION

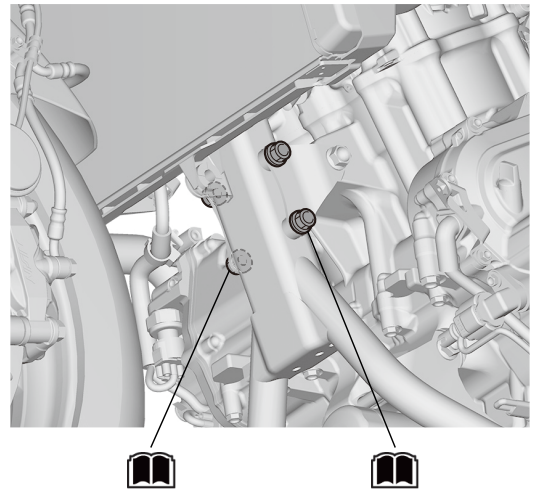
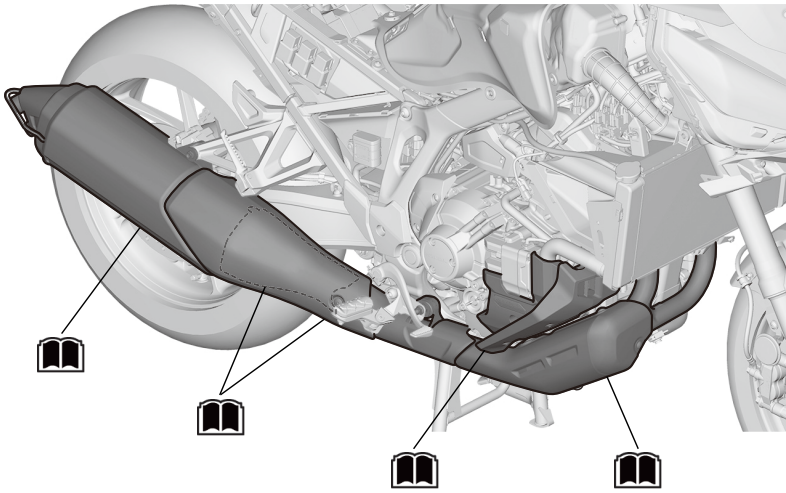
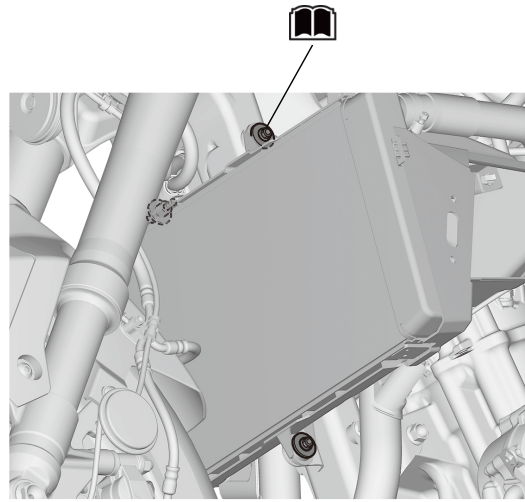
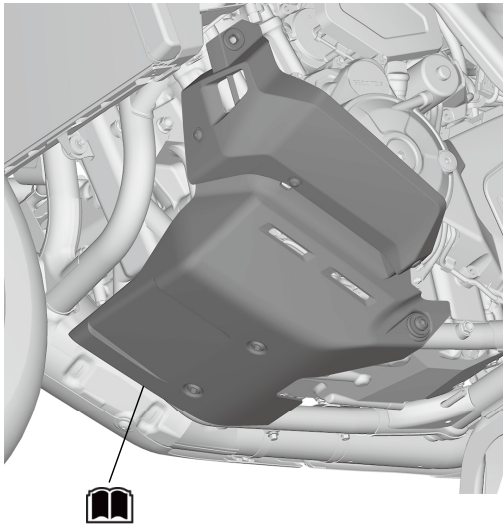
1. Refer to the Service Manual for the motorcycle, remove the motorcycle parts as shown, and disconnect the negative (-) cable from the battery. (📖)
 - Repeat on the right side.



INSTALLATION IMAGE

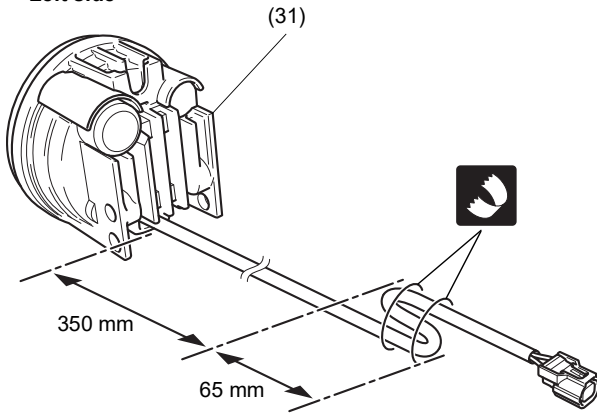


2. Refer to the Service Manual for the motorcycle, remove the motorcycle parts as shown. (📖)

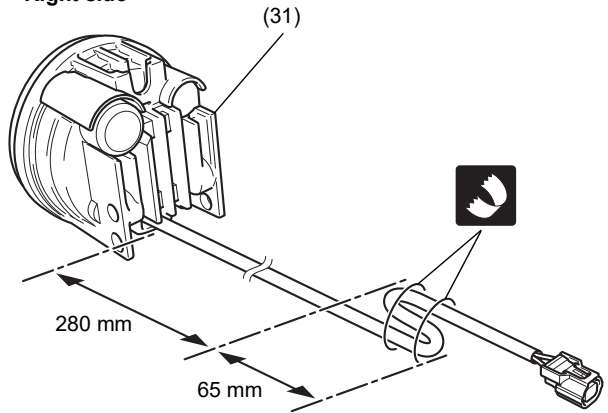


3. Bundle the harness with tape as shown.

<Left side>

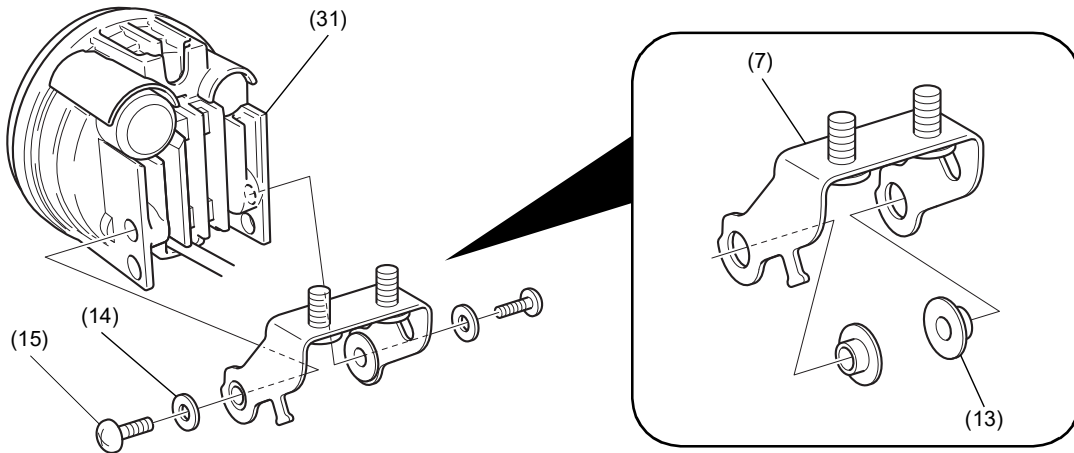


<Right side>



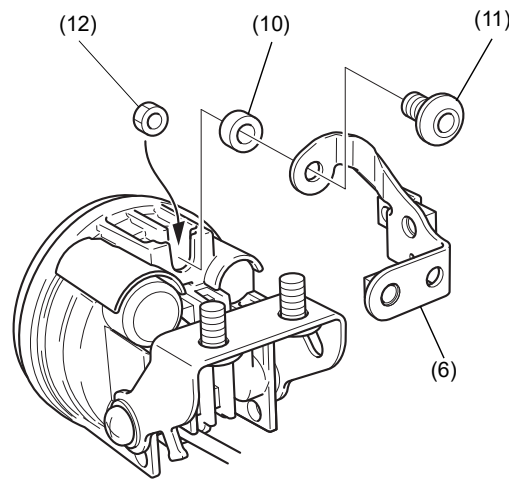
4. Loosely install as shown.

<Left side>



5. Loosely install as shown.

<Left side>

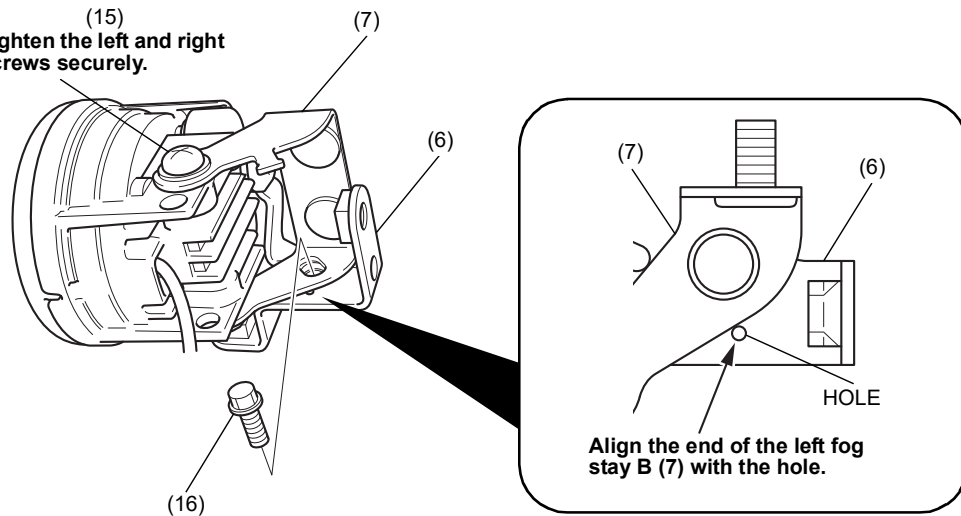


6. Secure as shown.

- To adjust the foglight aiming, loosen the 6 mm flange bolt (16) and 6 mm screws (15).

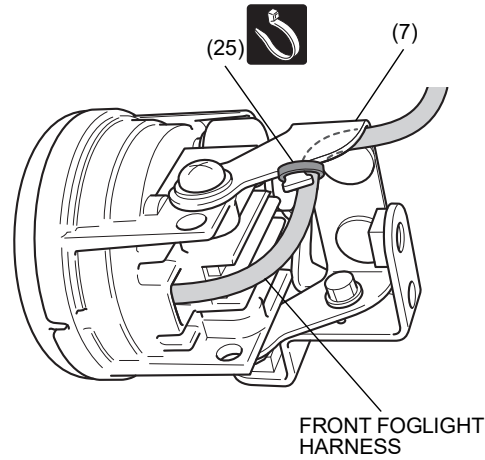
<Left side>

Tighten the left and right screws (15) securely.



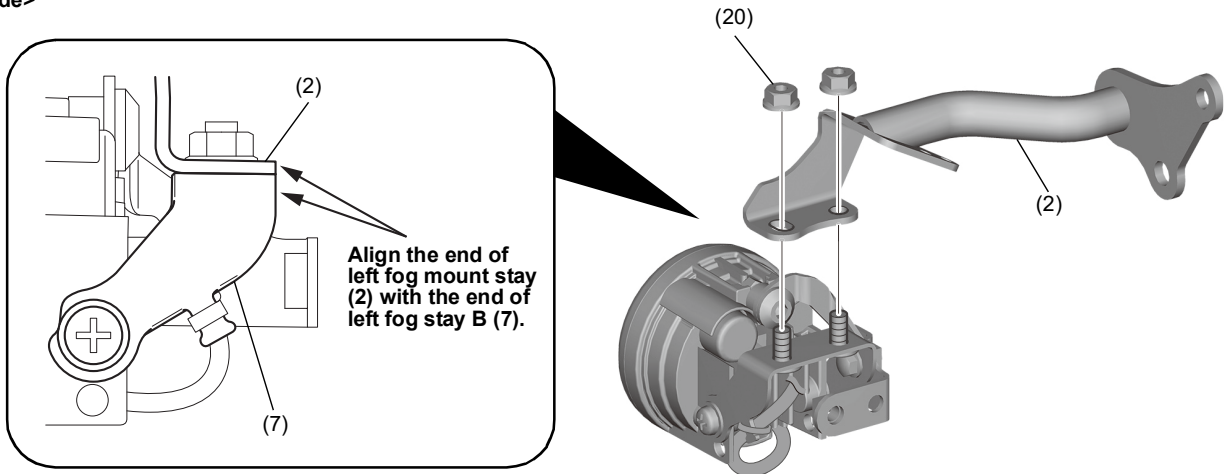
7. Secure the harness as shown.

<Left side>



8. Install as shown.

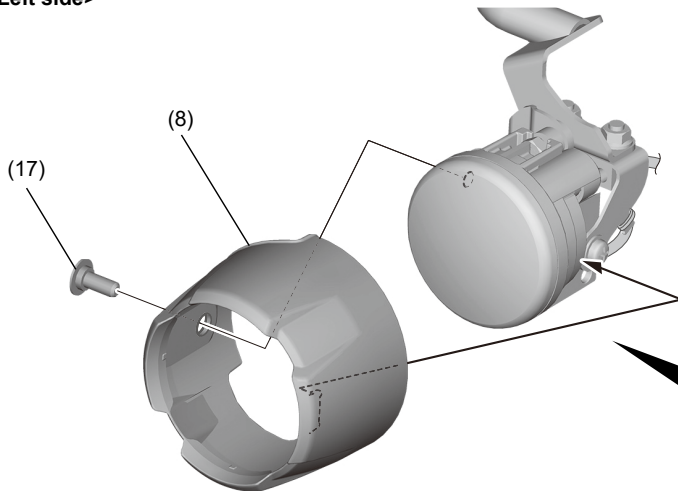
<Left side>



Align the end of left fog mount stay (2) with the end of left fog stay B (7).

9. Install as shown.

<Left side>



Put the front foglight with the tab of foglight cover.

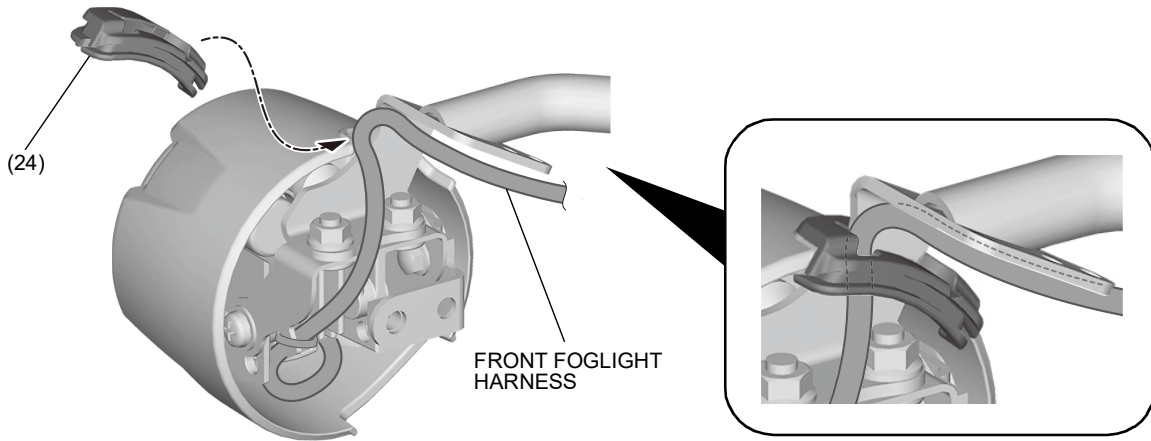
<Rear side>

TAB

(8)

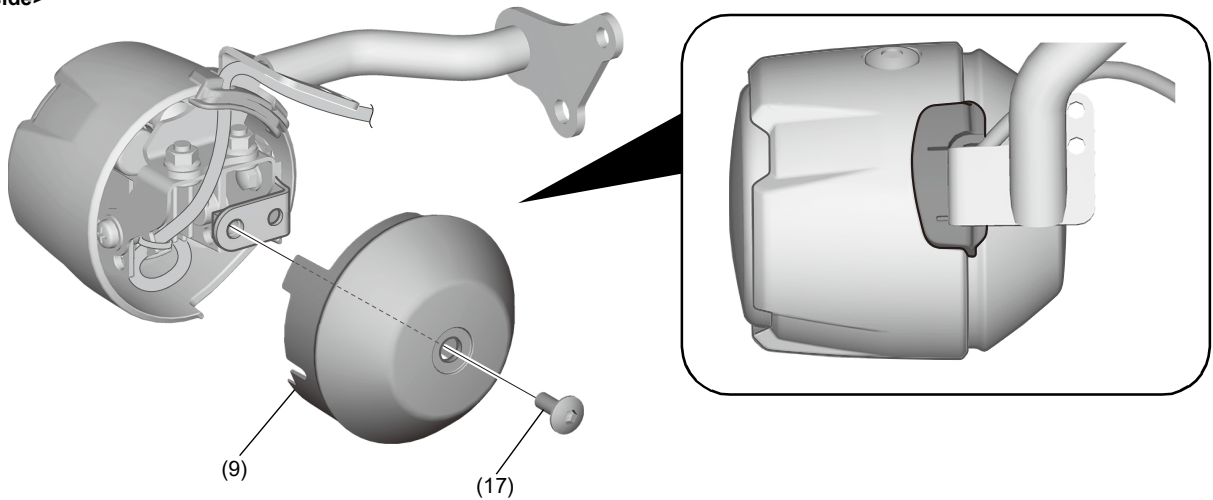
10. Route the harness and install as shown.

<Left side>



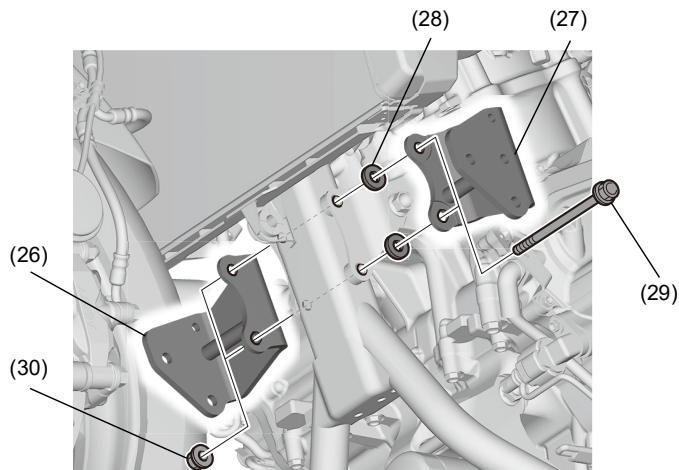
11. Install as shown.

<Left side>



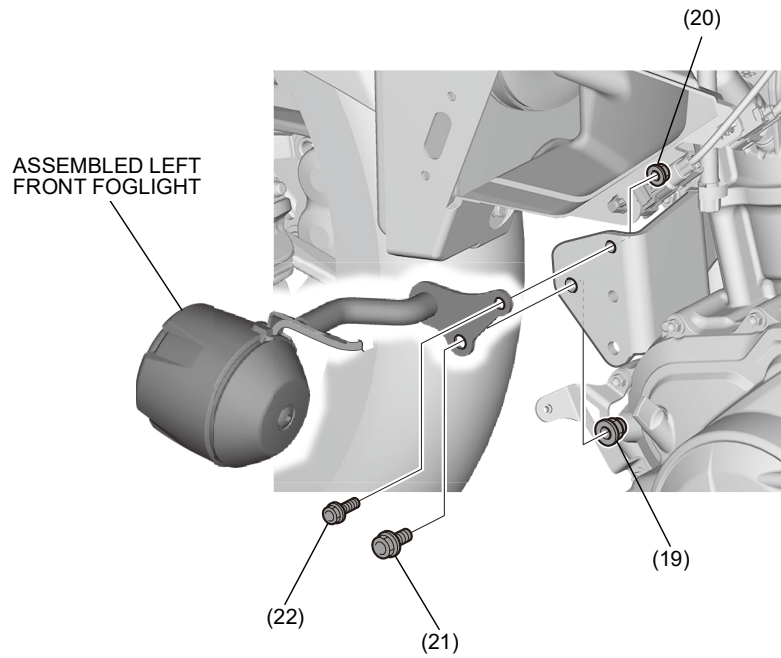
12. Assemble the right front foglight in the same manner as the left side.

13. Install as shown.



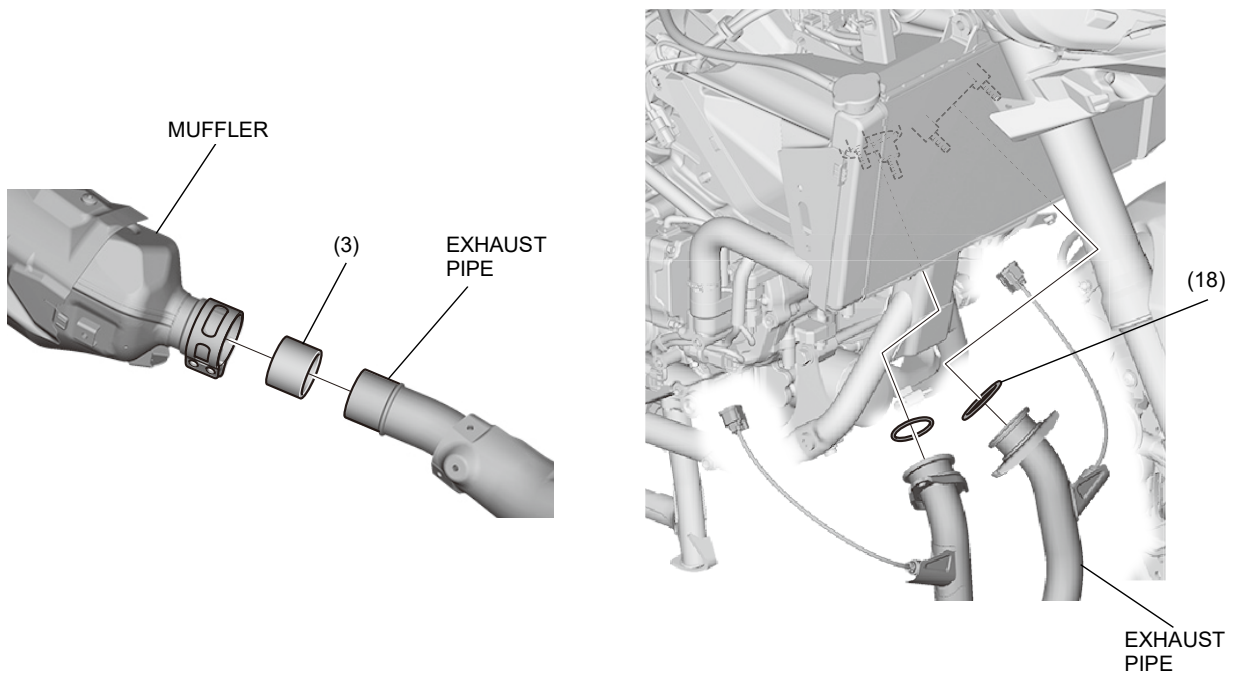
14. Install as shown.
 • Measure the clearance between the foglight stay and inner cover after installing the inner cover in step 19.

<Left side>



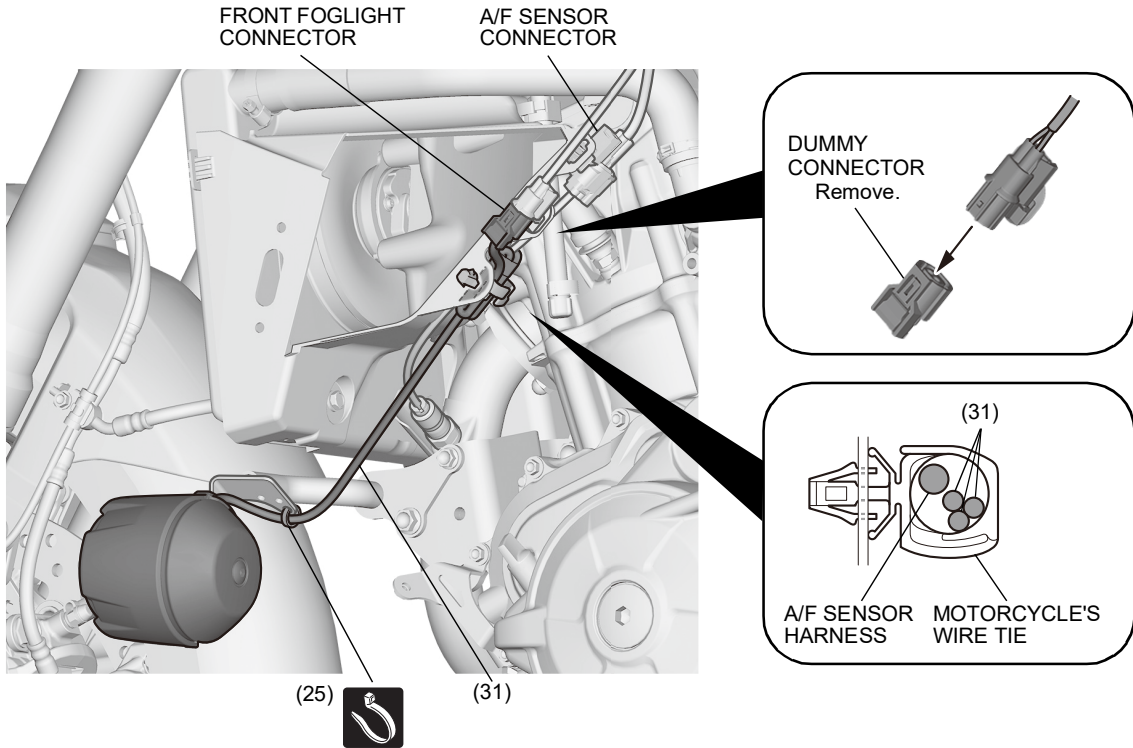
15. Install the right front foglight in the same manner as the left side.

16. Refer to the Service Manual for the motorcycle, install the exhaust pipe and muffler as shown. (🔧)

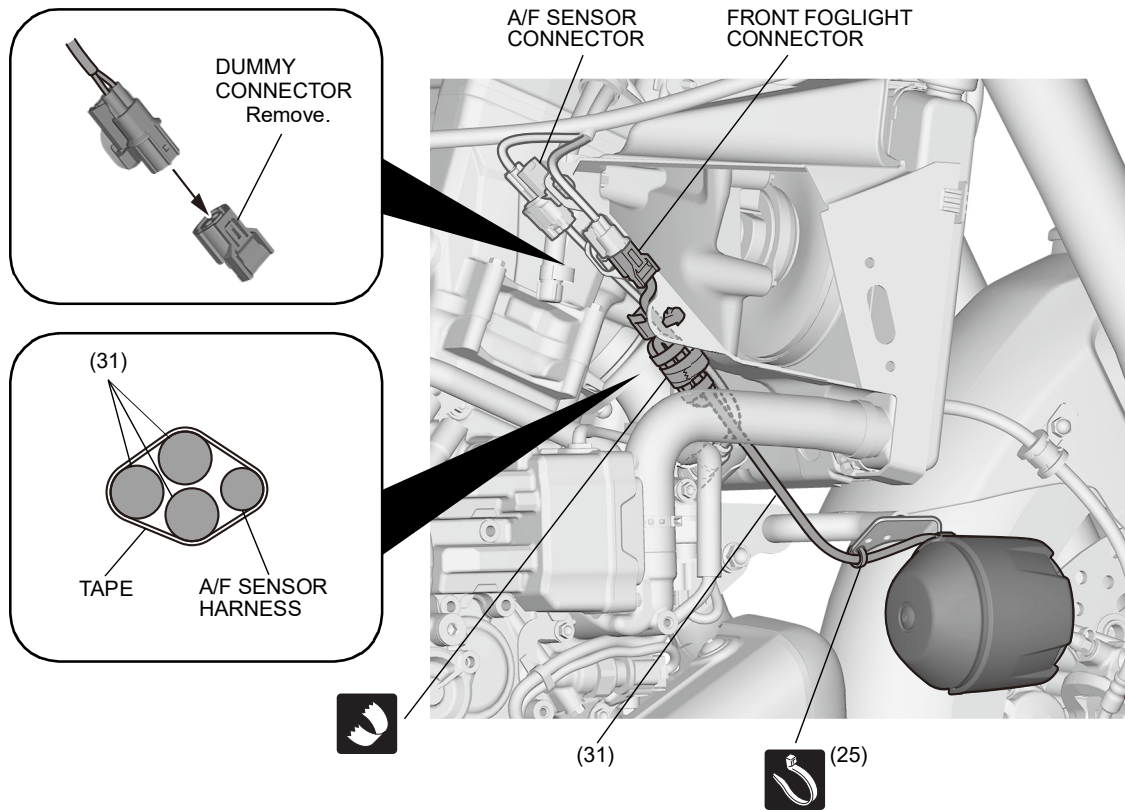


17. Route and connect the harness as shown.
 • Cut off the excess ends of the wire ties, leaving a maximum of 5 mm.

<Left side>

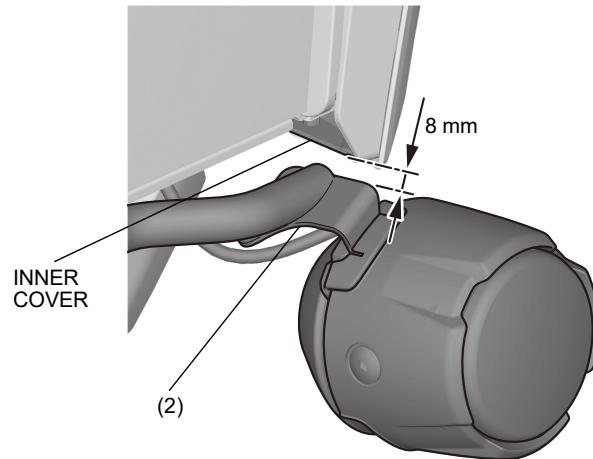


<Right side>



18. Install the motorcycle's parts in the reverse order of removal.
 • Confirm that any harness is not caught or too tight.

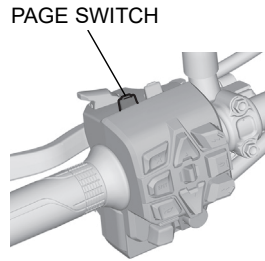
19. Check the clearance as shown.
- Repeat on the right side.
 - If the clearance is incorrect, adjust the position of the fog mount stay, fog stay A, and fog stay B.



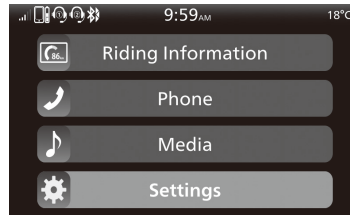
20. Check the foglight, headlight, and other lights for proper operation.

SETTING INSTRUCTIONS

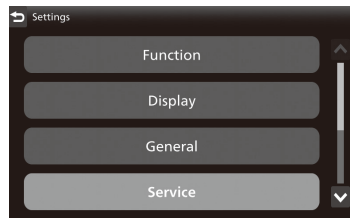
- Check that this accessory is installed securely.
1. Connect the SCS short connector (070MZ-0010300) to the DLC.
 2. Turn the ignition switch ON and engine stop switch RUN.
 - Do not start the engine.
 3. Pull backward and hold the PAGE switch or touch the clock area of multi-information display.



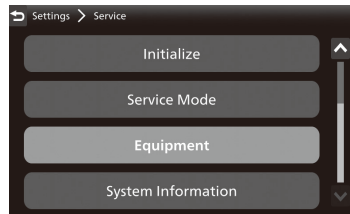
4. Select the "Settings", and then press the ENT switch.



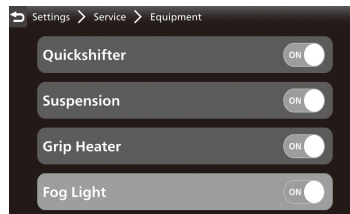
5. Select the "Service", and then press the ENT switch.



6. Select the "Equipment", and then press the ENT switch.



7. Select the "Fog Light", and then press the ENT switch to "ON" the function.



8. Turn the ignition switch OFF and remove the SCS short connector.

ADJUSTING THE FOGLIGHT AIMING

1. Place the motorcycle on a level surface, 5 m away from the aiming screen.
2. Turn the ignition switch ON.
3. Select the FOG of pop-up information using the Fn switch.



4. Push forward or pull backward the Fn lever to select the "ON" of the FOG.



5. Measure the mounting height of the foglight from the floor.
6. Aim the foglights so that the cut-off line of the light pattern on the aiming screen is the same distance above the floor as the foglight mounting height.

