
ACCESSORY SOCKET

Accessory Name	Parts Number	Application Model	Issue Date	Publication No.	FRT
ACCESSORY SOCKET	08U70-K2Y-A00	CMX500A/A2	2022.8	MII	0.2 H

Introduction

ALL INFORMATION, ILLUSTRATIONS, DIRECTIONS AND SPECIFICATIONS INCLUDED IN THIS PUBLICATION ARE BASED ON THE LATEST PRODUCT INFORMATION AVAILABLE AT THE TIME OF APPROVAL FOR PRINTING. Honda Motor Co., Ltd. RESERVES THE RIGHT TO MAKE CHANGES AT ANY TIME WITHOUT NOTICE AND WITHOUT INCURRING ANY OBLIGATION WHATSOEVER. NO PART OF THIS PUBLICATION MAY BE REPRODUCED WITHOUT WRITTEN PERMISSION. THIS MANUAL IS WRITTEN FOR PERSONS WHO HAVE ACQUIRED BASIC KNOWLEDGE OF MAINTENANCE ON Honda MOTORCYCLES, MOTOR SCOOTERS OR ATVS.

Honda Dealer:


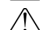




Please give a copy of these instructions to your customer.

Customer:

Because it requires specialized knowledge and special tools and equipment, it is recommended to install it at a dealer with qualified automobile maintenance.

How To Read These Symbols

Your safety, and the safety of others, is very important. To help you make informed decisions we have provided safety messages and other information throughout this manual.

-  **WARNING** You CAN be KILLED or SERIOUSLY HURT if you don't follow instructions.
-  **CAUTION** You CAN be HURT if you don't follow instructions.
-  **NOTICE** The purpose of this message is to help prevent damage to your vehicle, other property, or the environment.
-  **NOTE** Things you want to know, things that are useful to know.
-  Follow the instructions of the Service Manual.
-  Follow the other symbol instructions of the "Installation Instructions BASIC".

Instruction Other Symbols

The symbols used throughout this instructions show specific service procedures. Refer to "Installation Instructions BASIC" for description of each symbol.

INFORMATION

⚠ CAUTION

- To prevent burns, allow the engine, exhaust system, radiator, etc., to cool before installing the accessory.
- Be sure to observe all safety messages and precautions described in the Service Manual while removing and installing the fuel tank.

NOTE:

- Refer to this manual and the Meter visor Installation Instructions when the motorcycle is equipped with the Meter visor.
- Reinstall the removed parts on the motorcycle and make sure that the wires and harnesses are not pinched.
- Disconnect the negative (-) cable from the battery before installing this accessory.
- The memories of the clock will be erased when you disconnect the battery. Reset the memories after reconnecting the battery.

PARTS LIST

When the instruction manual and installation instructions are included in this kit, be sure to give them to the customer.

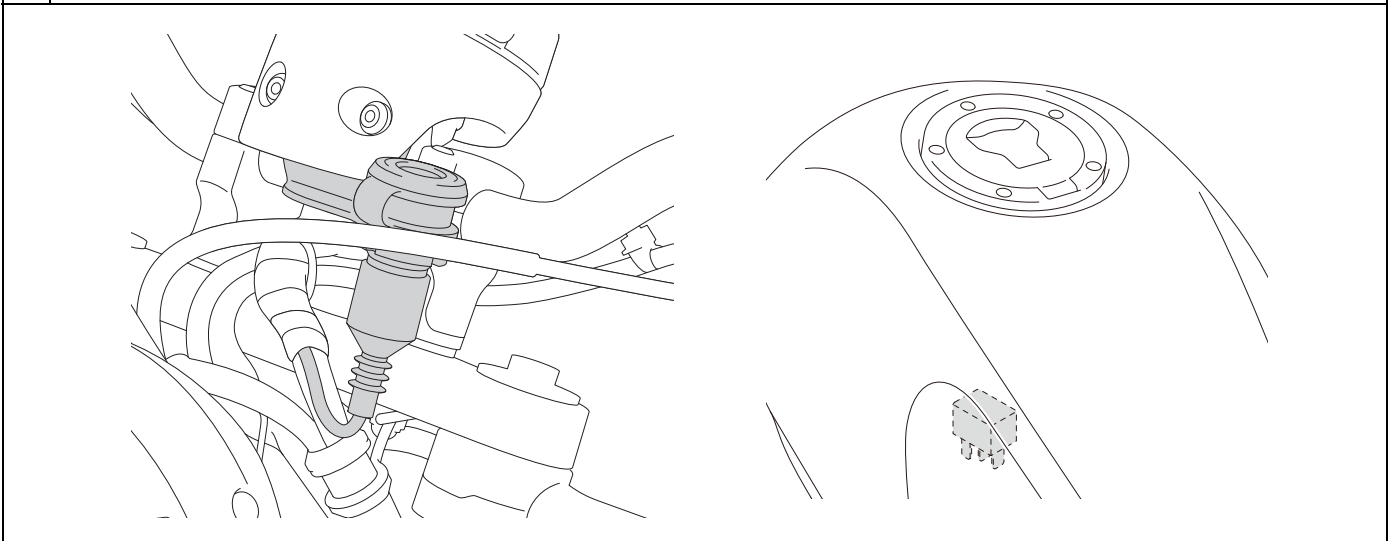
Component	No.	Parts Name	Qty	Parts No.
	(1)	Accessory socket	1	-
	(2)	Wire tie (Not used.)	1	-
	(3)	Stay	1	-
	(4)	Washer	2	90545-044-000
	(5)	Collar	2	11355-KWN-700
	(6)	Relay	1	38501-MKP-DN1

TORQUE INFORMATION

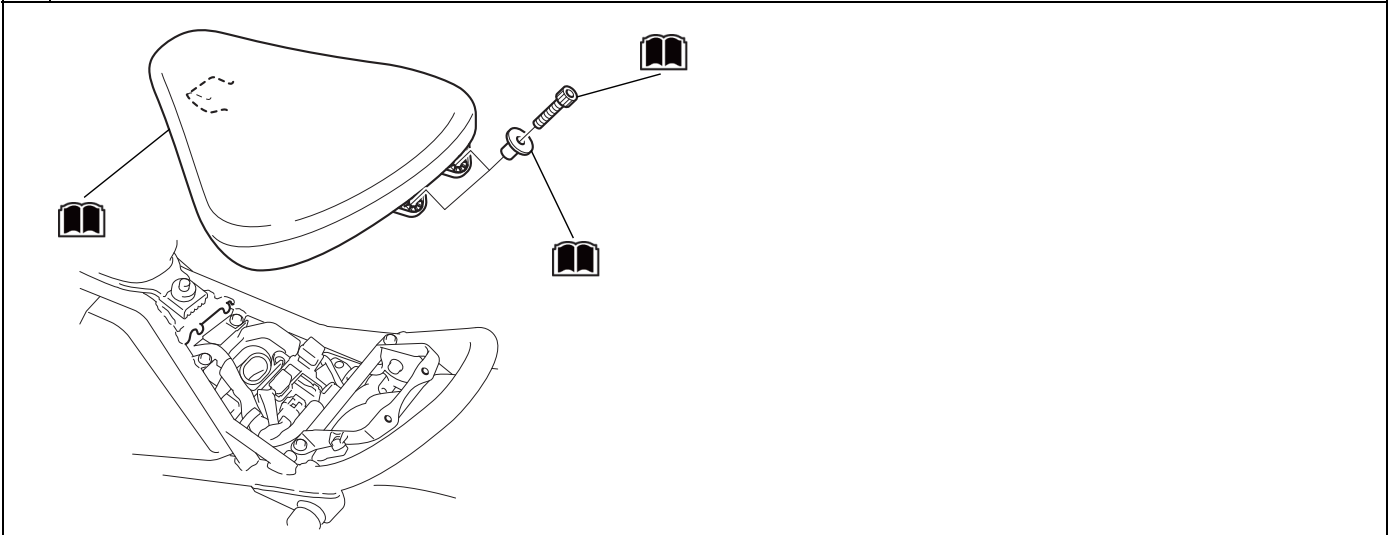
Refer to the Service Manual for the torque values including standard torque of the removed parts. (🔧)

INSTALLATION

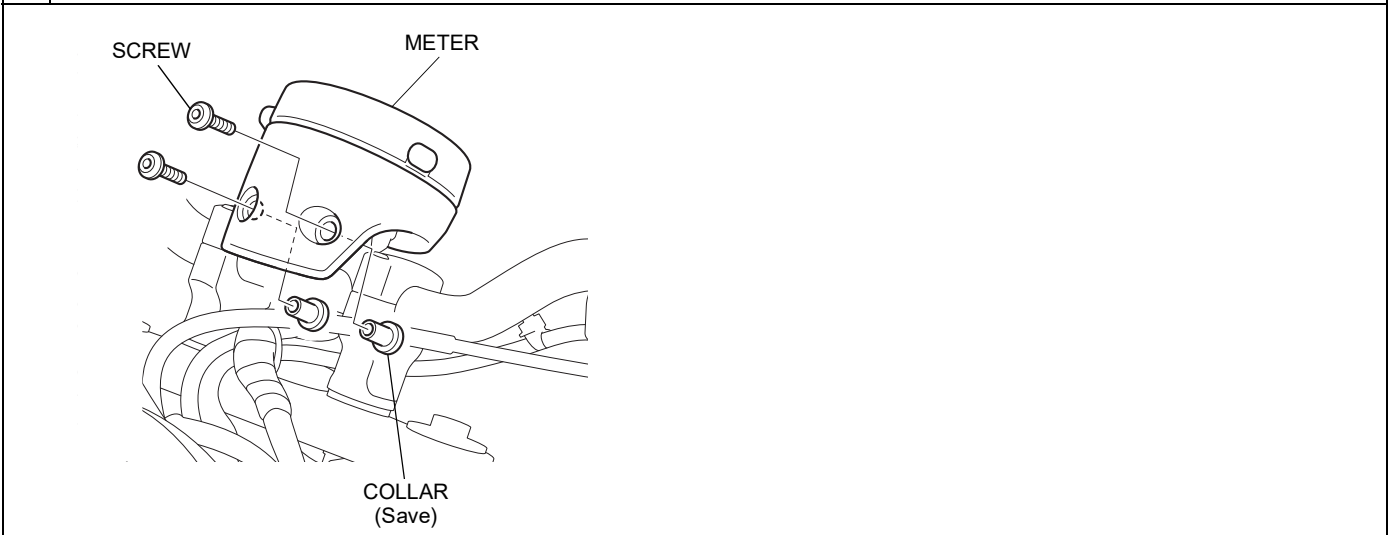
INSTALLATION IMAGE



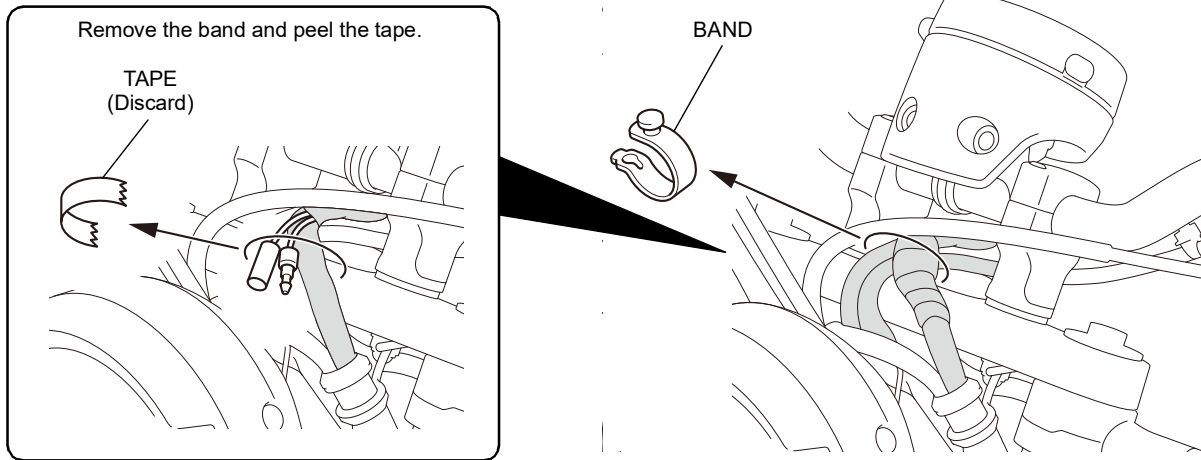
1. Remove the parts as shown, and disconnect the negative (-) cable of the battery. (📖)



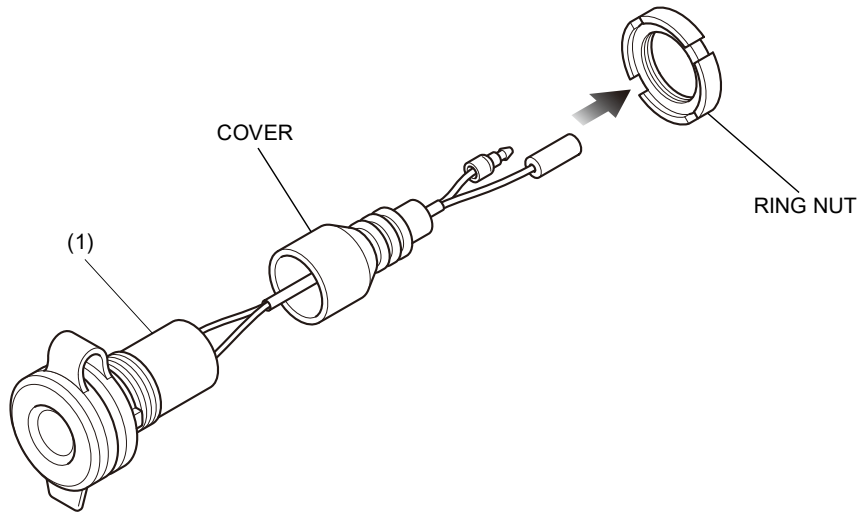
2. Remove the parts as shown.



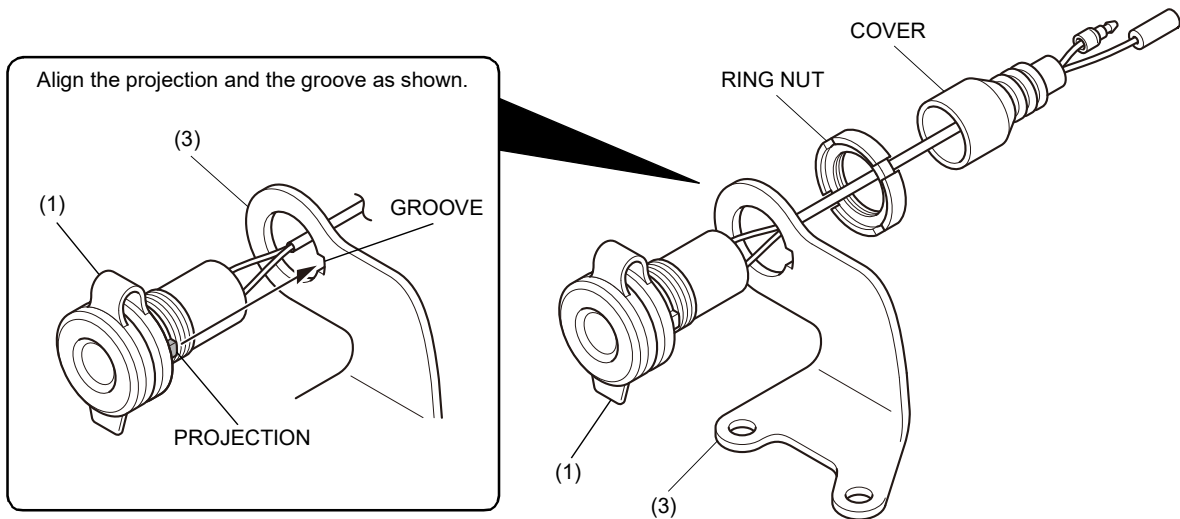
3. Remove the parts as shown.



4. Remove the ring nut as shown.



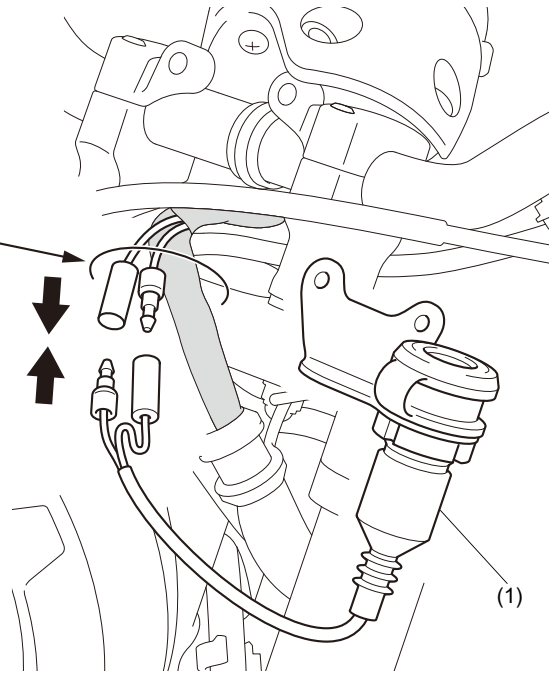
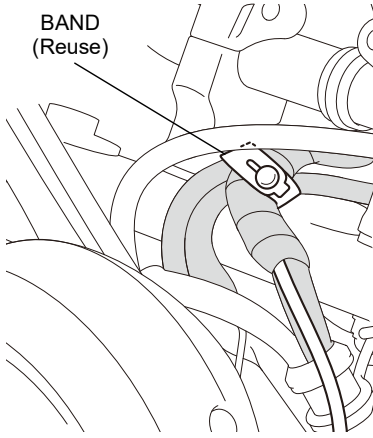
5. Install the parts as shown.



6. Connect the parts as shown.

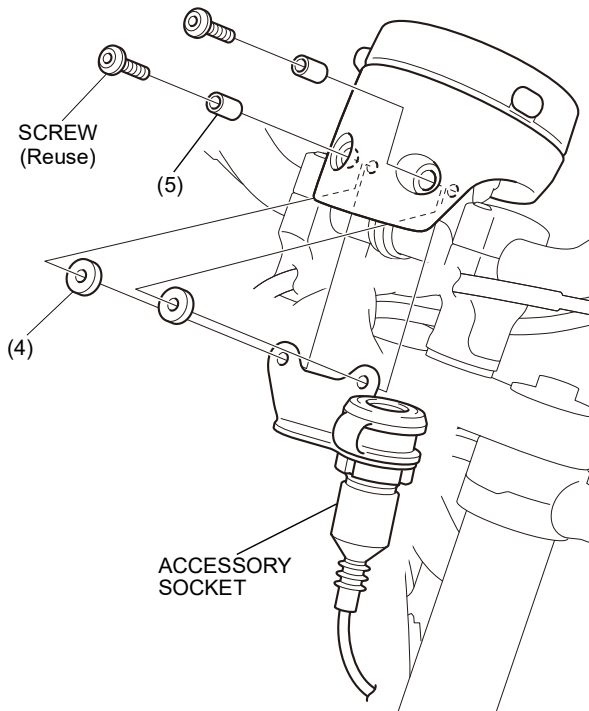
After connecting, secure with the band as shown.

BAND
(Reuse)



7. Install the parts as shown.

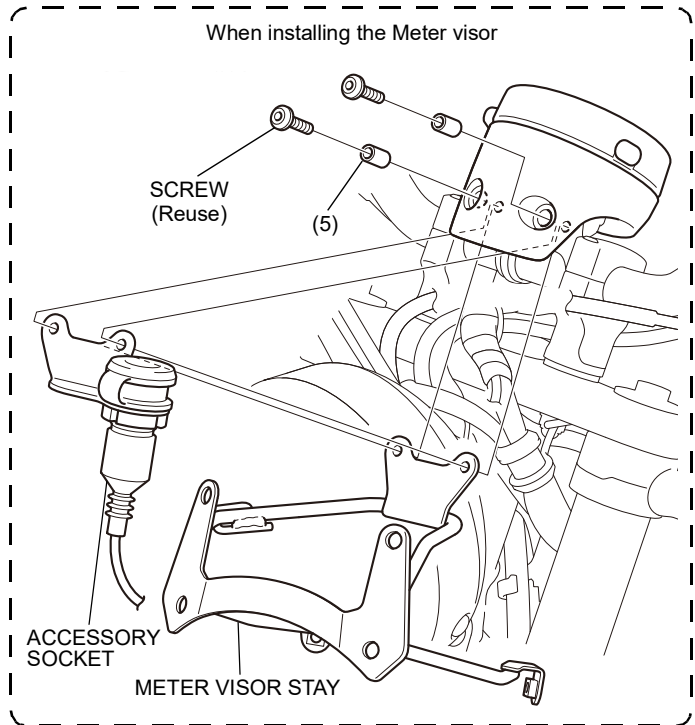
SCREW
(Reuse)



ACCESSORY
SOCKET

When installing the Meter visor

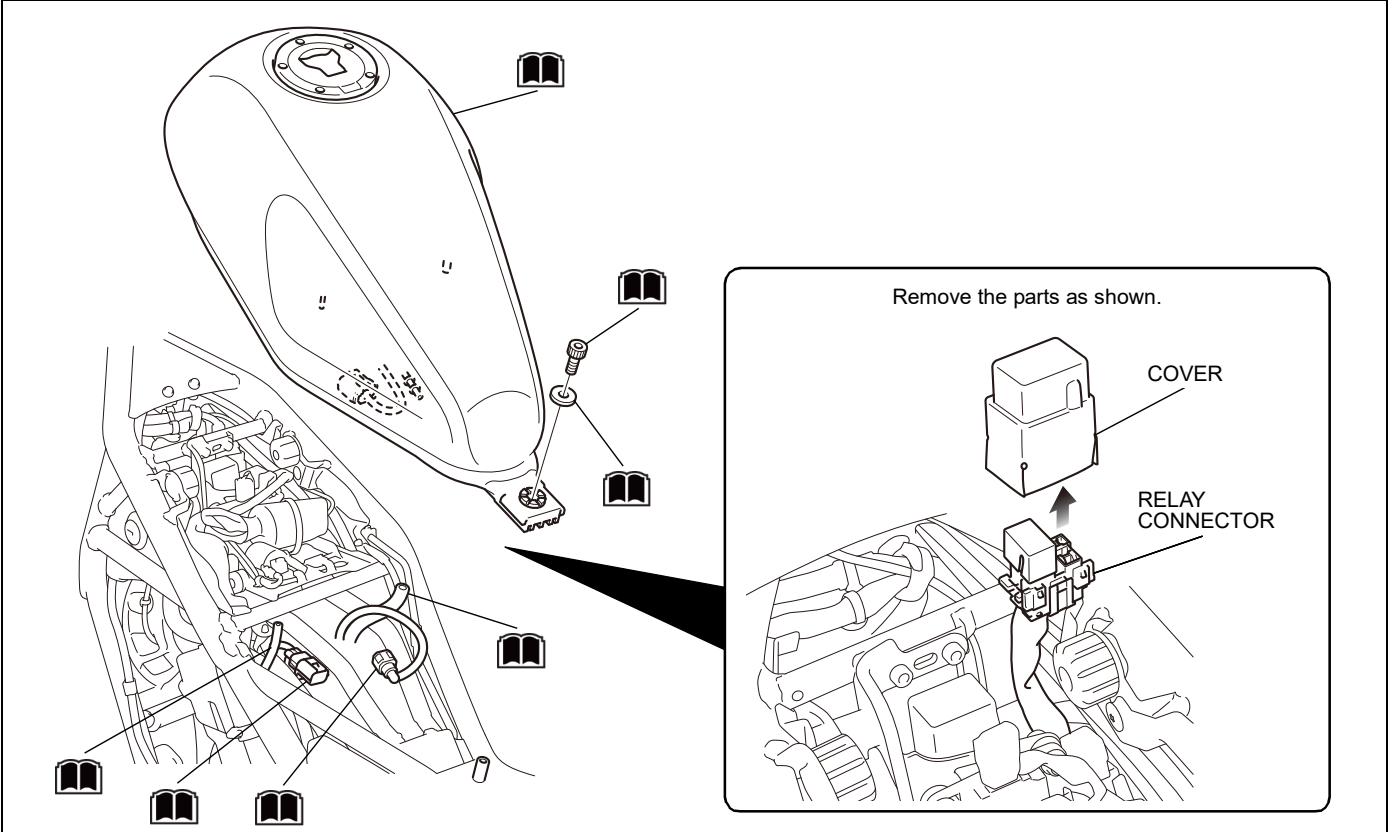
SCREW
(Reuse)



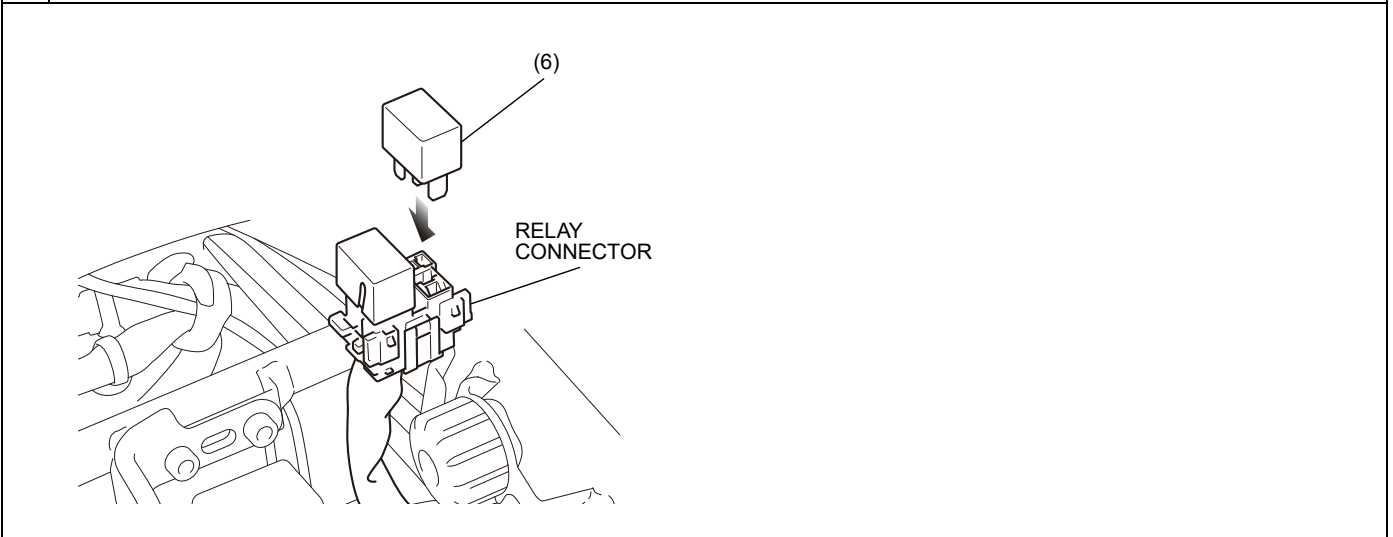
ACCESSORY
SOCKET

METER VISOR
STAY

8. Remove the parts as shown. (🔧)



9. Install the parts as shown.



10. Install the motorcycle's parts in the reverse order of removal. (🔧)

- Confirm that any wire harness and hose is not caught or too tight.

11. Move the handlebar right and left and check that the cables and harnesses are not pinched by the neighboring components and that they are not pulled taut.

12. Check the accessory socket, headlight and the other lights for proper operation.