
FRONT FORK COVER

Accessory Name	Parts Number	Application Model	Issue Date	Publication No.	FRT
FRONT FORK COVER	08F71-K87-A31	CMX500A	2022.8	MII	0.4 H

Introduction

ALL INFORMATION, ILLUSTRATIONS, DIRECTIONS AND SPECIFICATIONS INCLUDED IN THIS PUBLICATION ARE BASED ON THE LATEST PRODUCT INFORMATION AVAILABLE AT THE TIME OF APPROVAL FOR PRINTING. Honda Motor Co., Ltd. RESERVES THE RIGHT TO MAKE CHANGES AT ANY TIME WITHOUT NOTICE AND WITHOUT INCURRING ANY OBLIGATION WHATSOEVER. NO PART OF THIS PUBLICATION MAY BE REPRODUCED WITHOUT WRITTEN PERMISSION. THIS MANUAL IS WRITTEN FOR PERSONS WHO HAVE ACQUIRED BASIC KNOWLEDGE OF MAINTENANCE ON Honda MOTORCYCLES, MOTOR SCOOTERS OR ATVS.

Honda Dealer:







Please give a copy of these instructions to your customer.

Customer:

Because it requires specialized knowledge and special tools and equipment, it is recommended to install it at a dealer with qualified automobile maintenance.

How To Read These Symbols

Your safety, and the safety of others, is very important. To help you make informed decisions we have provided safety messages and other information throughout this manual.

-  **WARNING** You CAN be KILLED or SERIOUSLY HURT if you don't follow instructions.
-  **CAUTION** You CAN be HURT if you don't follow instructions.
-  **NOTICE** The purpose of this message is to help prevent damage to your vehicle, other property, or the environment.
-  **NOTE** Things you want to know, things that are useful to know.
-  Follow the instructions of the Service Manual.
-  Follow the other symbol instructions of the "Installation Instructions BASIC".

Instruction Other Symbols

The symbols used throughout this instructions show specific service procedures. Refer to "Installation Instructions BASIC" for description of each symbol.

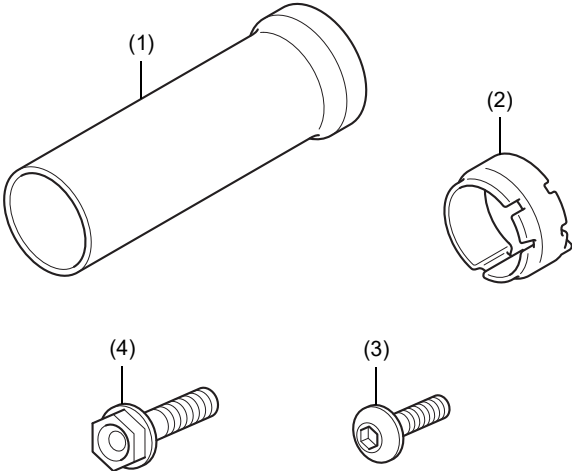
INFORMATION

⚠ CAUTION

- To prevent burns, allow the engine, exhaust system, radiator, etc., to cool before installing the accessory.

PARTS LIST

When the instruction manual and installation instructions are included in this kit, be sure to give them to the customer.

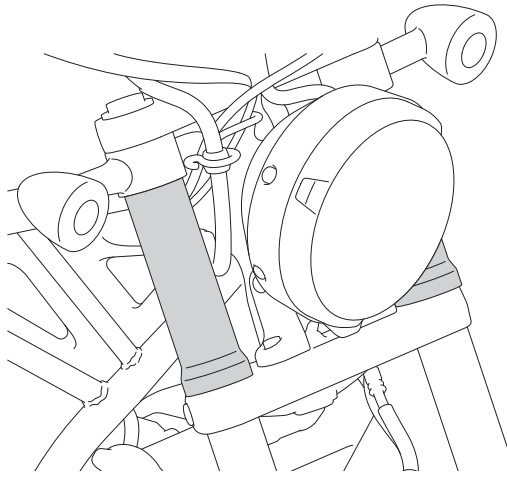
Component	No.	Parts Name	Qty	Parts No.
	(1)	Front fork cover	2	51621-K87-A30
	(2)	Rubber	2	51622-K87-A30
	(3)	6 mm screw	4	90130-K87-A00
	(4)	8 mm flange bolt	2	90131-KZZ-900

TORQUE INFORMATION

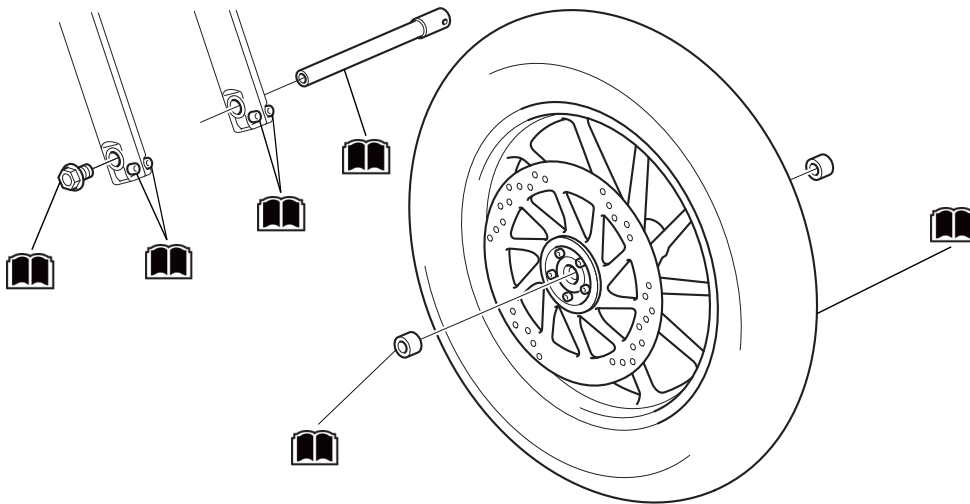
Refer to the Service Manual for the torque values including standard torque of the removed parts. (■)

INSTALLATION

INSTALLATION IMAGE

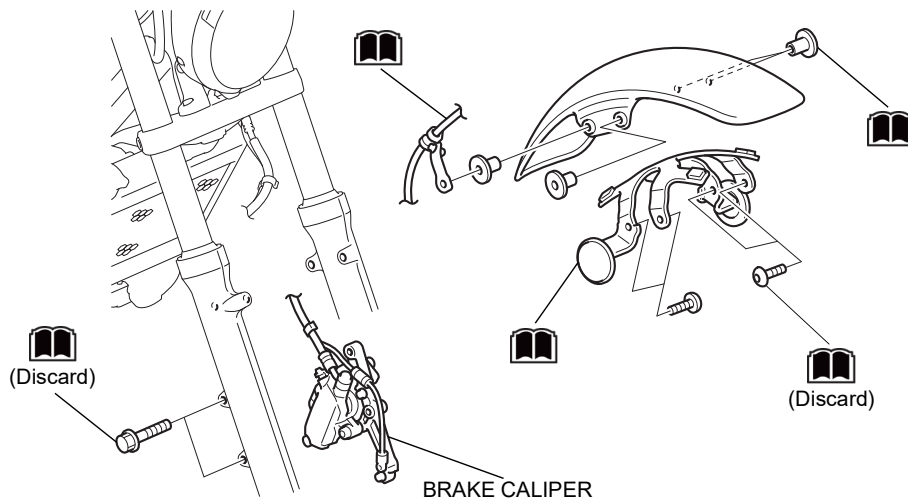


1. Remove the parts as shown. (📖)



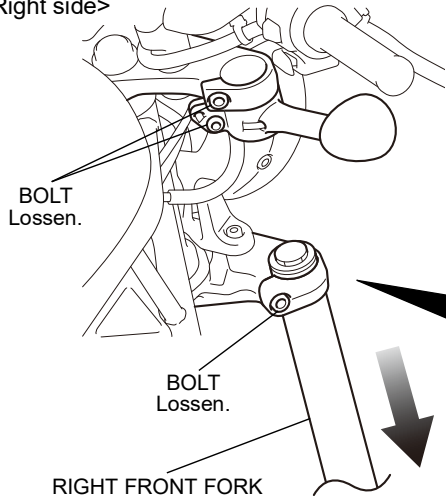
2. Remove the parts as shown. (📖)

- Support the brake caliper so it does not hang from the brake hose.
- Do not twist the brake hose.

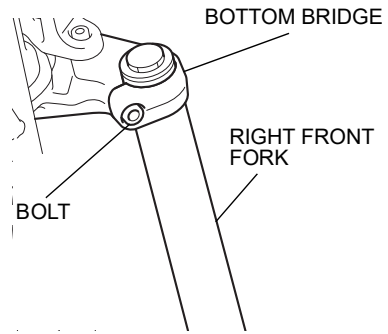


3. Lower the right front fork as shown.

<Right side>

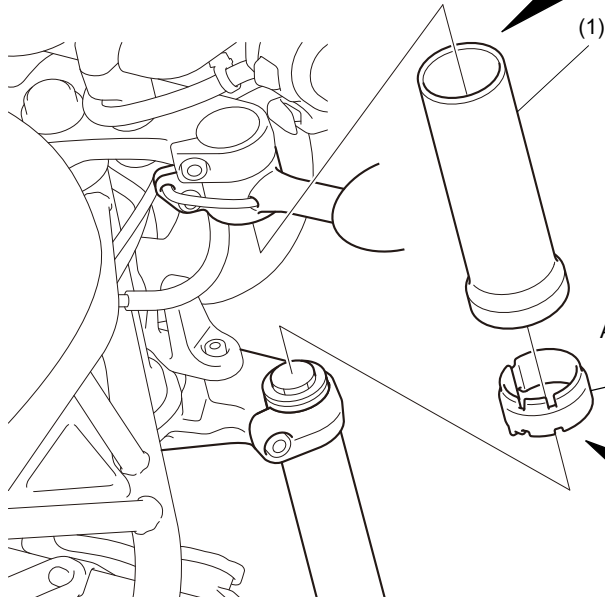


Lower the right front fork to the position shown and loosely install the bolt.

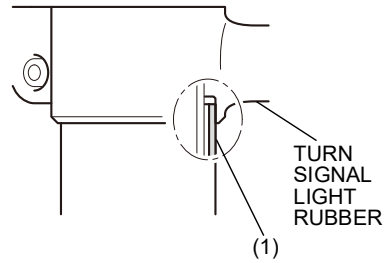


4. Install the parts as shown.

<Right side>

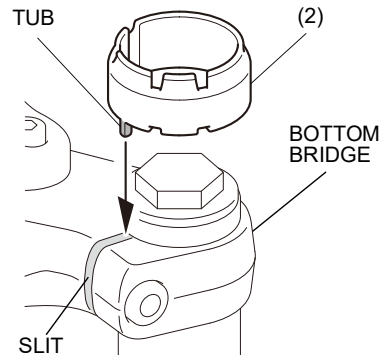


Insert the indicated parts to the turn signal light rubber.



(2)
Apply a little water to the inner surface.

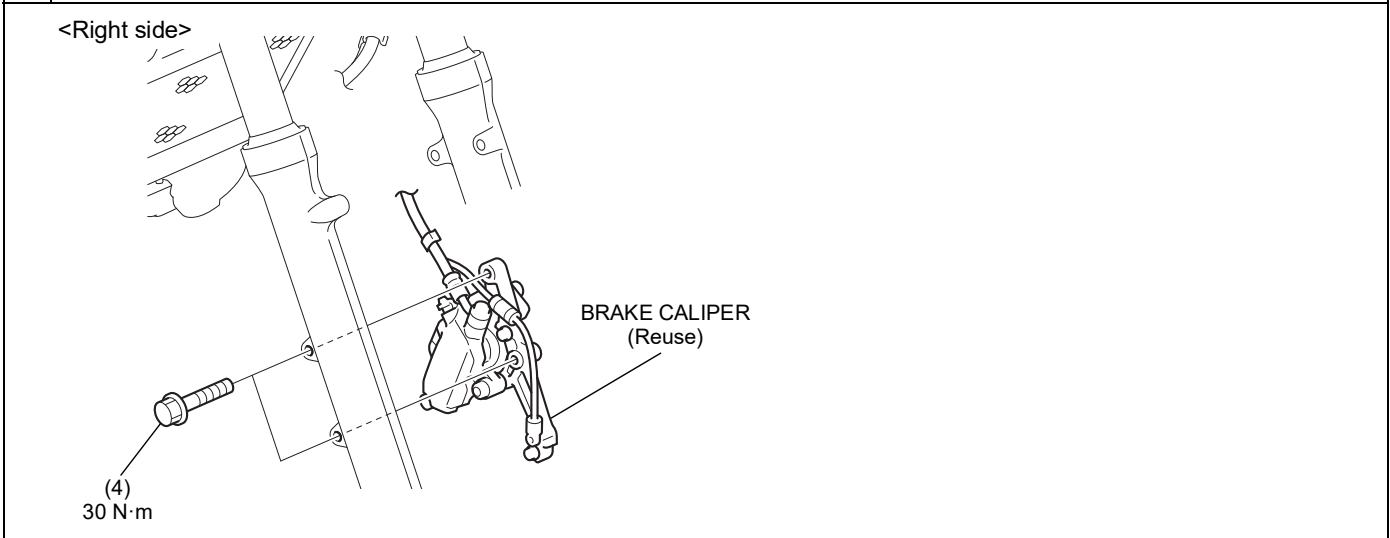
Insert the tab to the slit of the bottom bridge.



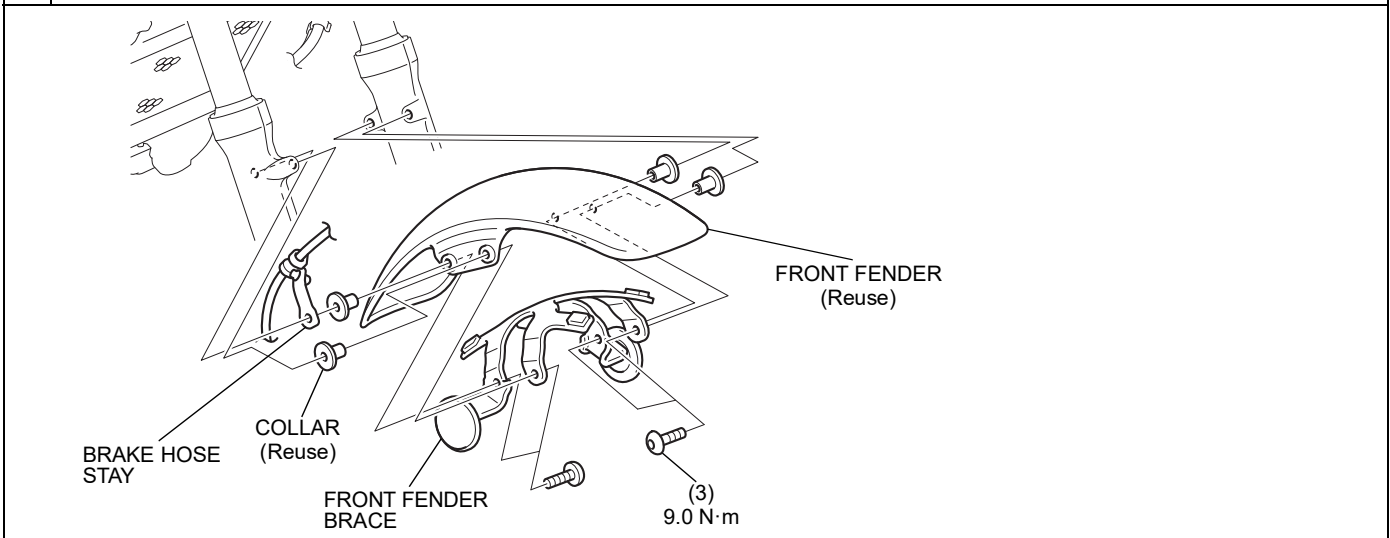
5. Return the right front fork to its original position. (🔧)

6. Repeat on the left side.

7. Install the brake caliper in the reverse order of removal. (🔧)



8. Install the parts in the reverse order of removal. (🔧)



9. Install the motorcycle's parts in the reverse order of removal. (🔧)