

METER VISOR

Accessory Name	Parts Number	Application Model	Issue Date	Publication No.	FRT
METER VISOR	08R74-K87-A30	CMX500A/A2	2022.8	MII	0.2 H
8 mm SOCKET BOLT for CMX500A2	90113-GHB-650				
5 mm BOLT for CMX500A2	90138-K87-A30				

Introduction

ALL INFORMATION, ILLUSTRATIONS, DIRECTIONS AND SPECIFICATIONS INCLUDED IN THIS PUBLICATION ARE BASED ON THE LATEST PRODUCT INFORMATION AVAILABLE AT THE TIME OF APPROVAL FOR PRINTING. Honda Motor Co., Ltd. RESERVES THE RIGHT TO MAKE CHANGES AT ANY TIME WITHOUT NOTICE AND WITHOUT INCURRING ANY OBLIGATION WHATSOEVER. NO PART OF THIS PUBLICATION MAY BE REPRODUCED WITHOUT WRITTEN PERMISSION. THIS MANUAL IS WRITTEN FOR PERSONS WHO HAVE ACQUIRED BASIC KNOWLEDGE OF MAINTENANCE ON Honda MOTORCYCLES, MOTOR SCOOTERS OR ATVS.

Honda Dealer:







Please give a copy of these instructions to your customer.

Customer:

Because it requires specialized knowledge and special tools and equipment, it is recommended to install it at a dealer with qualified automobile maintenance.

How To Read These Symbols

Your safety, and the safety of others, is very important. To help you make informed decisions we have provided safety messages and other information throughout this manual.

-  **WARNING** You CAN be KILLED or SERIOUSLY HURT if you don't follow instructions.
-  **CAUTION** You CAN be HURT if you don't follow instructions.
-  **NOTICE** The purpose of this message is to help prevent damage to your vehicle, other property, or the environment.
-  **NOTE** Things you want to know, things that are useful to know.
-  Follow the instructions of the Service Manual.
-  Follow the other symbol instructions of the "Installation Instructions BASIC".

Instruction Other Symbols

The symbols used throughout this instructions show specific service procedures. Refer to "Installation Instructions BASIC" for description of each symbol.

INFORMATION

⚠ CAUTION

- To prevent burns, allow the engine, exhaust system, radiator, etc., to cool before installing the accessory.

NOTE:

- Refer to this manual and the Accessory socket Installation Instructions when the motorcycle is equipped with the Accessory socket.
- Reinstall the removed parts on the motorcycle and make sure that the wires and harnesses are not pinched.

PARTS LIST


When the instruction manual and installation instructions are included in this kit, be sure to give them to the customer.

Component	No.	Parts Name	Qty	Parts No.
	(1)	Meter visor	1	-
	(2)	Meter visor stay	1	-
	(3)	5 mm screw	4	90103-MBG-000
	(4)	Washer (small)	4	90504-964-000
	(5)	Well nut	4	90111-MGS-D70
	(6)	Rubber washer	4	64205-166-610
	(7)	Washer (large)	2	90545-044-000
	(8)	Collar	2	11355-KWN-700

<8 mm SOCKET BOLT> for CMX500A2

Component	No.	Parts Name	Qty	Parts No.
	(9)	8 mm socket bolt	2	-

<5 mm BOLT> for CMX500A2

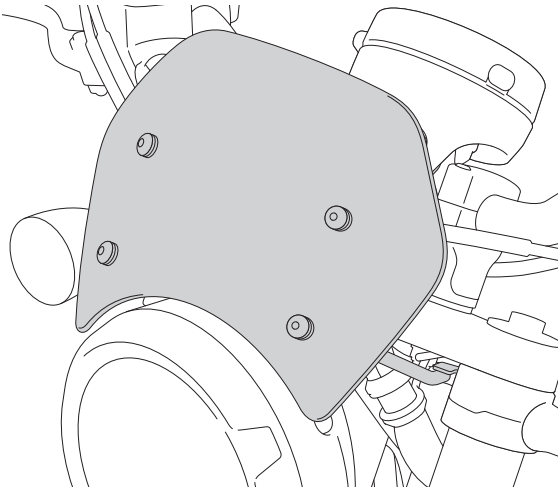
Component	No.	Parts Name	Qty	Parts No.
	(10)	5 mm bolt	4	-

TORQUE INFORMATION

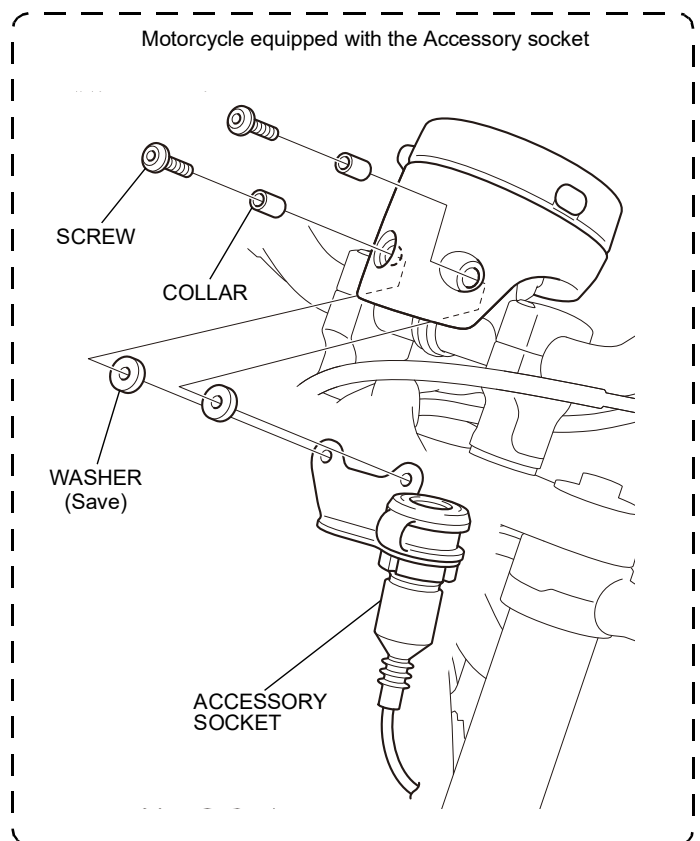
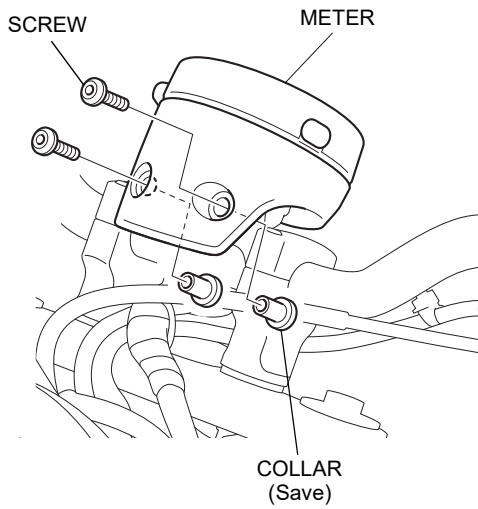
Refer to the Service Manual for the torque values including standard torque of the removed parts. (M)

INSTALLATION

INSTALLATION IMAGE

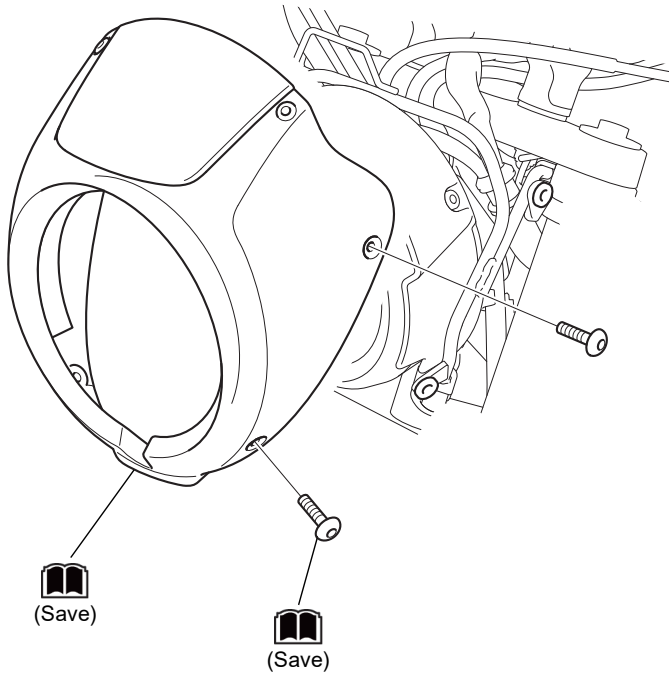


1. Remove the parts as shown.



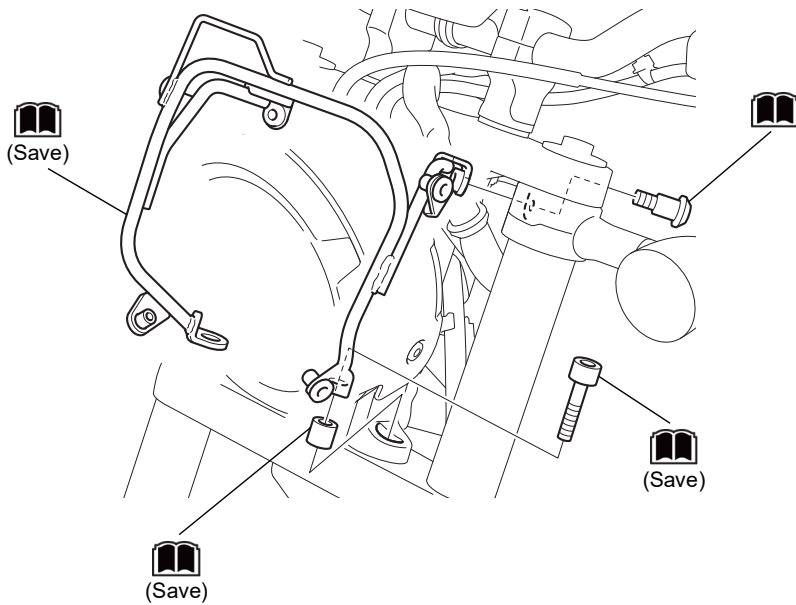
2. Remove the parts as shown. (📖)
• Repeat on the right side.

<Left side> CMX500A2



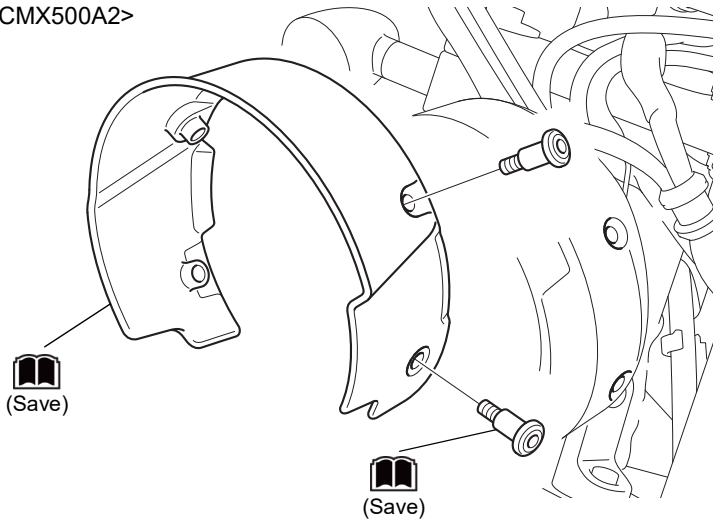
3. Remove the parts as shown. (📖)
• Repeat on the right side.

<CMX500A2>



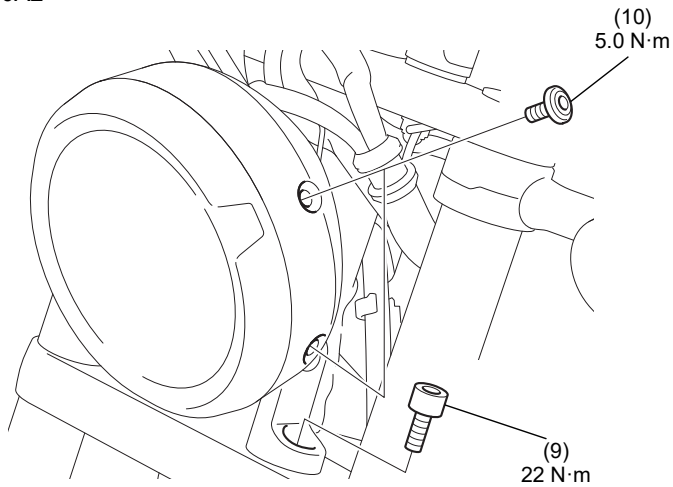
4. Remove the parts as shown. (📖)
• Repeat on the right side.

<CMX500A2>



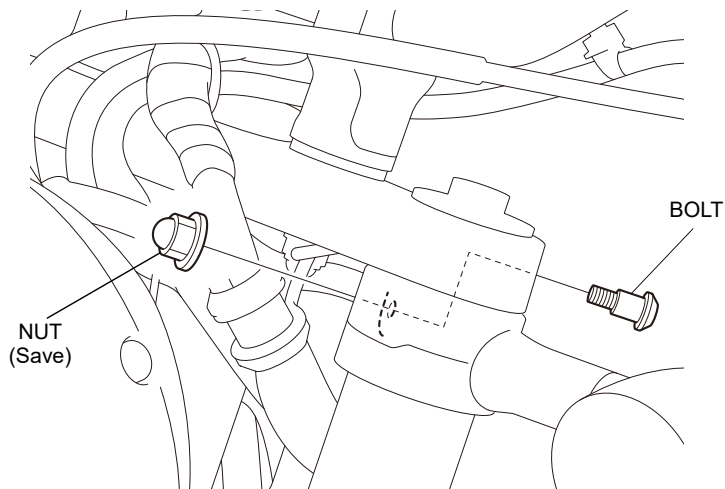
5. Install the parts as shown.
• Repeat on the right side.

<CMX500A2>

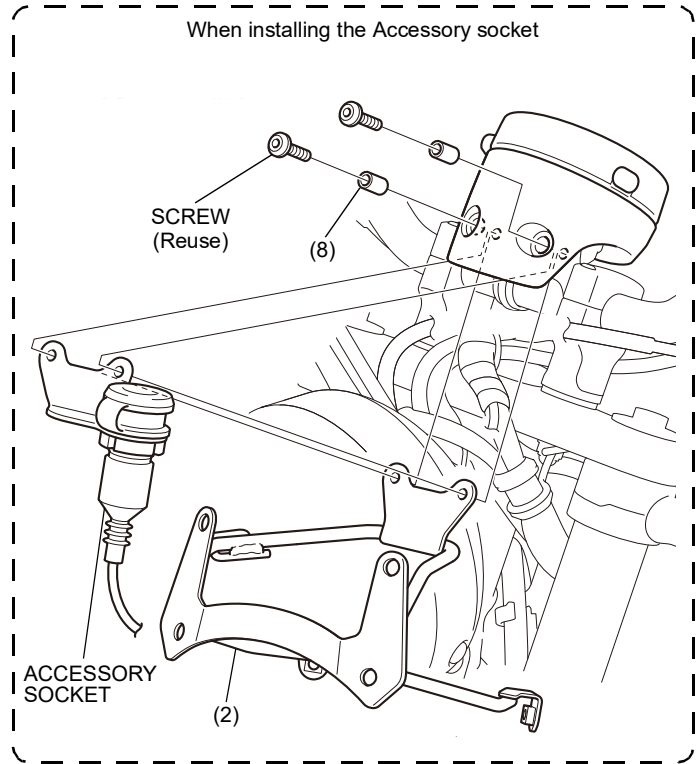
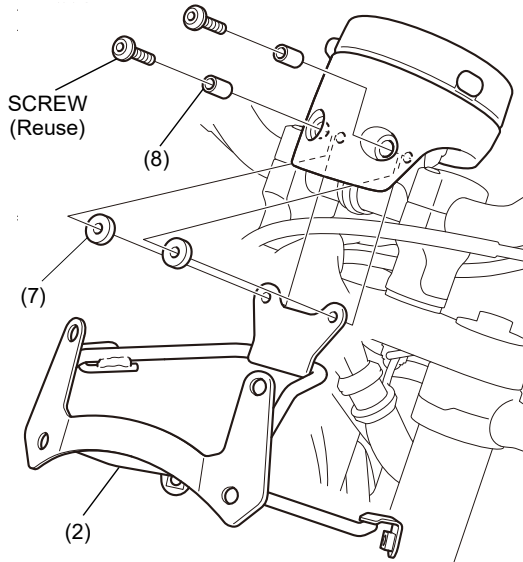
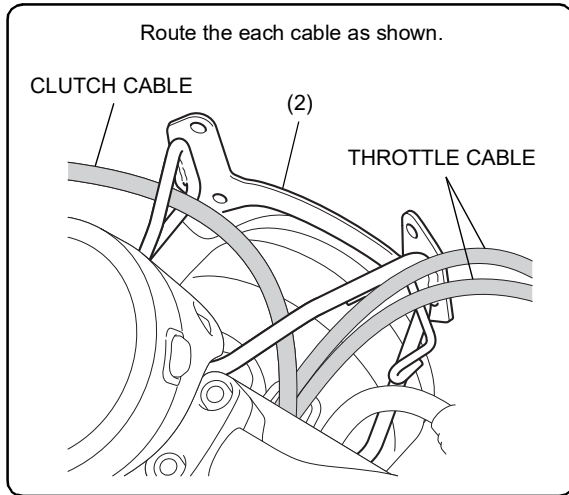


6. Remove the parts as shown.
• Repeat on the right side.

<Left side> CMX500A

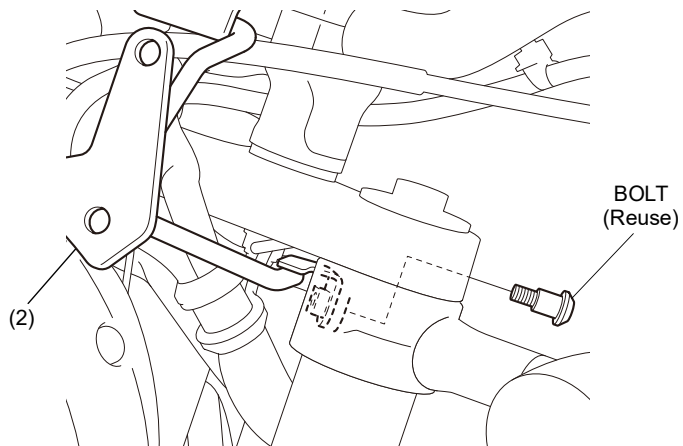


7. Loosely install the parts as shown.



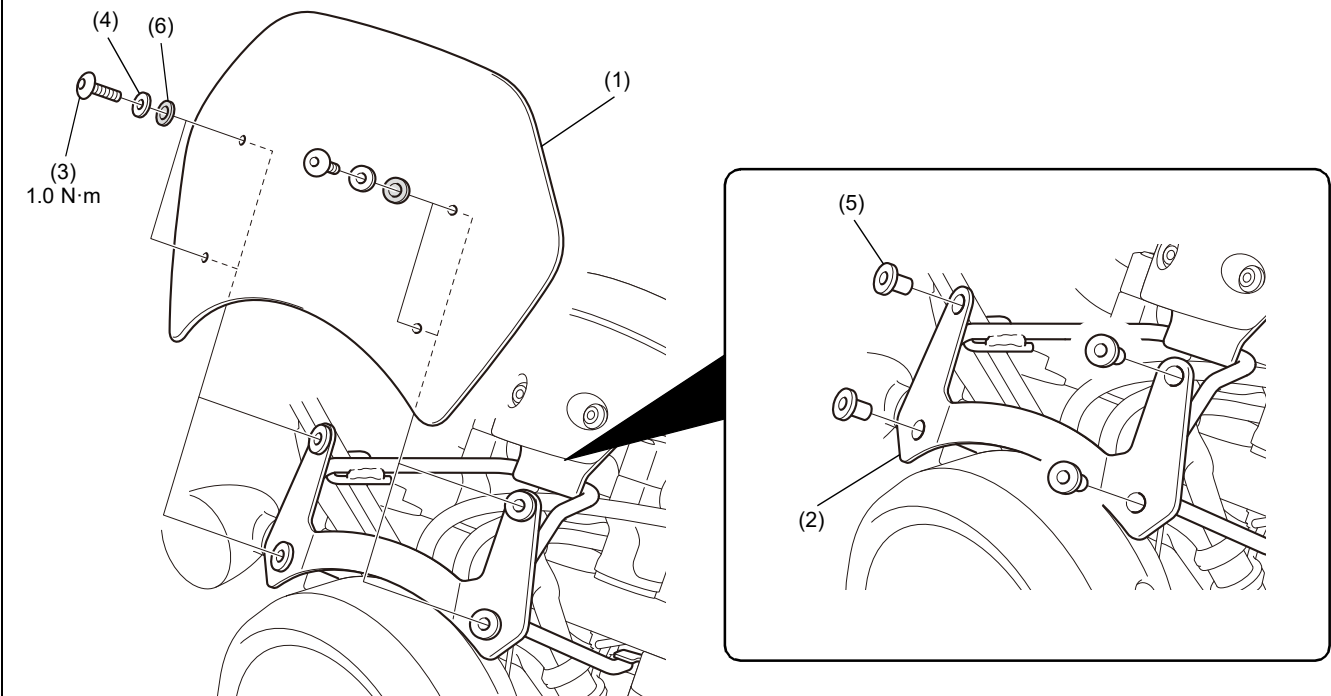
8. Loosely install the parts as shown.
 • Repeat on the right side.

<Left side>



9. Tighten the loosely installed parts securely.

10. Install the parts as shown.



11. Move the handlebar right and left and check that the cables and harnesses are not pinched by the neighboring components and that they are not pulled taut.